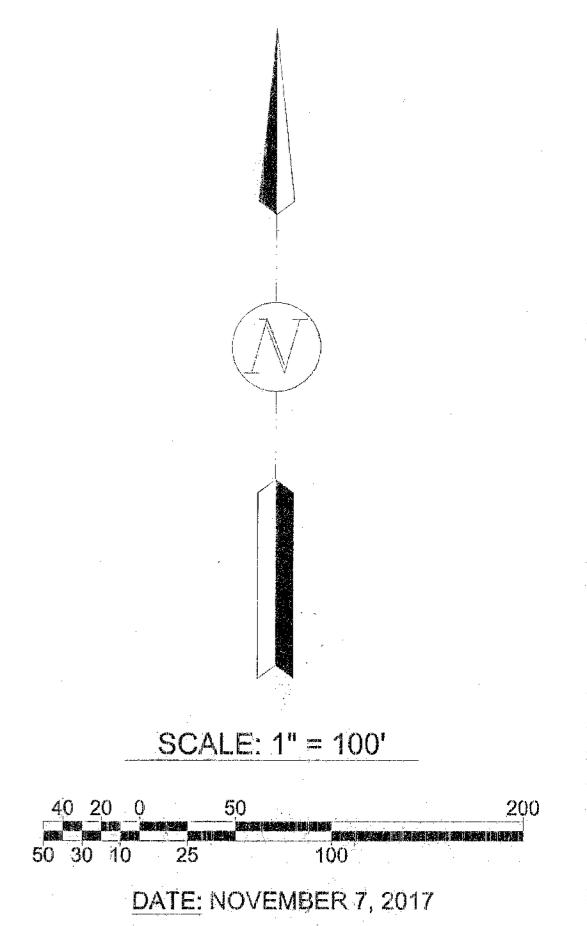
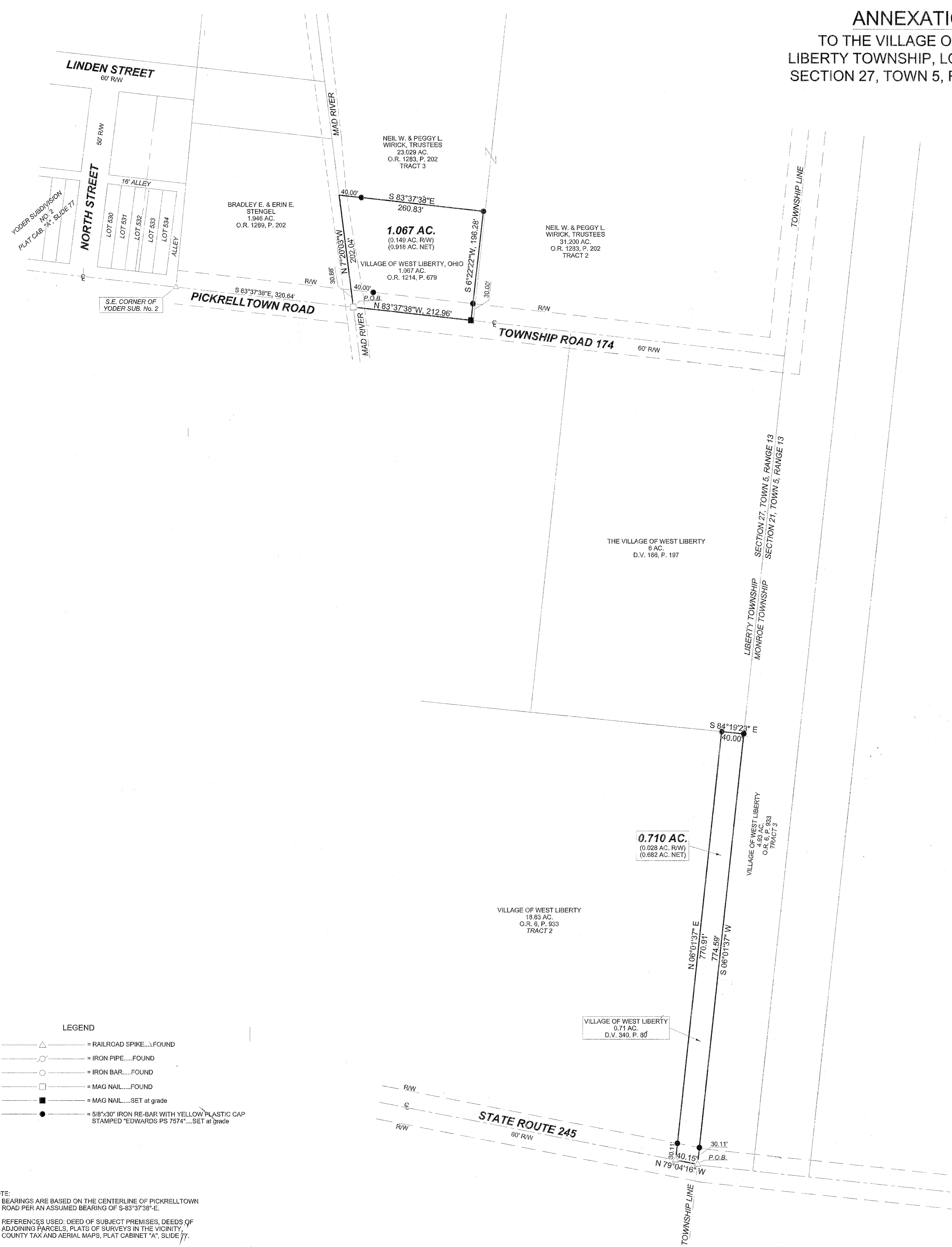


ANNEXATION PLAT
TO THE VILLAGE OF WEST LIBERTY
LIBERTY TOWNSHIP, LOGAN COUNTY, OHIO
SECTION 27, TOWN 5, RANGE 13, B.T.M.R.S.



LEGAL DESCRIPTION FOR THE VILLAGE OF WEST LIBERTY, OHIO'S 1.067 ACRE TRACT

Being situate in the State of Ohio, County of Logan, Township of Liberty, and being a part of Section 27, Town 5, Range 13, and being more particularly described as follows:

Beginning for reference at a Railroad Spike found on the centerline of Pickrelltown Road (Township Road 174) at the Southeast corner of Yoder Subdivision No. 2 as recorded in Plat Cabinet "A", Slide 77, of the Logan County Plat Records, also being at the Southwest corner of a 1.946 acre tract conveyed to Bradley E. and Erin E. Stengel by Deed recorded in Official Record 1269, Page 202, of the Logan County Records;

thence with the centerline of Township Road 174 (60' right-of-way), S-83°37'38"-E, 320.64' (feet) to a Mag Nail found in the bridge crossing Mad River at the Southeast corner of said Stengel's 1.946 acre tract, said Mag Nail found being the PRINCIPLE PLACE OF BEGINNING for the tract hereinafter described;

thence with the East line of said Stengel's 1.946 acre tract, N-7°20'03"-W, 202.04' (feet), to a point in Mad River, passing for reference the right-of-way line of Township Road 174 at 30.85'(feet);

thence with the south line of a 23.029 acre tract conveyed to Neil W. Wirick, Trustee's (O.R. 1283, P. 202, Tract 2) S-83°37'38"-E, 260.83'(feet) to an iron bar set, passing for reference an iron bar set at 40.00'(feet);

thence with the east line of said 23.029 acre tract S-6°22'22"-W, 196.28'(feet) to a Mag Nail set on the centerline of aforementioned Township Road 174, passing for reference an iron bar set on the right-of-way line of Township Road 174 at 166.28'(feet);

thence with the centerline of Township Road 174, N-83°37'38"-W, 212.96'(feet) to the place of beginning.

Containing 1.067 acre, 0.149 acre of which is within the Road right-of-way, but being subject to the rights of all legal highways and all easements of record.

Being the same tract conveyed to The Village of West Liberty, Ohio, by Deed recorded in Official Record 1214, Page 679, of the Logan County Records.

The foregoing description prepared by William D. Edwards, Professional Surveyor No. 7574, December 7, 2017. All iron bars set are 5/8"x30" iron re-bar with a yellow plastic cap stamped "EDWARDS PS 7574". Bearings are based on the centerline of Township Road 174 per an assumed bearing of S-83°37'38"-E.

LEGAL DESCRIPTION VILLAGE OF WEST LIBERTY'S 0.710 ACRE TRACT

Being situate in the State of Ohio, County of Logan, Township of Liberty, and being a part of Section 27, Town 5, Range 13, and being more particularly described as follows:

BEGINNING at a Railroad Spike found at the intersection of the centerline of State Route 245 (60' right-of-way) and the East line of said Section 27, also being the West line of Section 21, Town 5, Range 13, and being on the Liberty-Monroe Township line;

thence with the centerline of State Route 245, N-79°04'16"-W, 40.15'(feet) to a Railroad Spike found at the Southeast corner of an 18.63 acre tract conveyed to the Village of West Liberty by deed recorded in Official Record 6, Page 933, Tract 2, of the Logan County Records;

thence with the East line of said 18.63 acre tract, N-6°01'37"-E, 770.91'(feet) to an iron bar set on the South line of a 6 acre tract also conveyed to The Village of West Liberty by deed recorded in Deed Volume 166, Page 197, of the Logan County Deed Records, passing for reference an iron bar set on the right-of-way line of State Route 245 at 30.11'(feet);

thence with the South line of said 6 acre tract, S-84°19'23"-E, 40.00'(feet) to an iron bar set on the aforementioned East line of Section 27;

thence with the East line of Section 27, the West line of aforementioned Section 21, the Liberty-Monroe Township line, and the West line of a 4.93 acre tract conveyed to the Village of West Liberty by deed recorded in Official Record 6, Page 933, Tract 3, S-6°01'37"-W, 774.59'(feet) to the place of beginning, passing for reference an iron bar set on the right-of-way line of State Route 245 at 744.48'(feet).

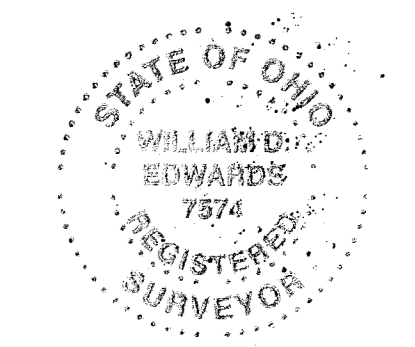
Containing 0.710 acre, 0.028 acre of which is within the Road right-of-way, but being subject to the rights of all legal highways and all easements of record.

Being all of a 0.71 acre tract conveyed to the Village of West Liberty by deed recorded in Deed Volume 340, Page 80, of the Logan County Deed Records.

The foregoing description prepared by and in accordance with a survey by William D. Edwards, Professional Surveyor No. 7574, November 7, 2017. All iron bars set are 5/8"x30" iron re-bar with a yellow plastic cap stamped "EDWARDS PS 7574". Bearings are based on the centerline of Pickrelltown Road per an assumed bearing of S-83°37'38"-E.

LOGAN COUNTY COMMISSIONERS	<i>John Baughman</i>	4-12-2018
	<i>D. A. Wilson</i>	4/12/2018
	<i>Joseph M. Anderson</i>	4-12-18
LOGAN COUNTY ENGINEER	<i>Scott C Coleman</i>	5-22-18
CHAIRMAN, TOWNSHIP TRUSTEE	<i>James E. Vitt</i>	3-29-18
L.U.C. PLANNING DIRECTOR	<i>David Gusew</i>	5-31-2018
MAYOR OF VILLAGE OF WEST LIBERTY, OHIO	<i>Gregory J. Hostilla</i>	3-20-18
PRESIDENT, VILLAGE COUNCIL	<i>Michael J. Hostilla</i>	4-2-18
CLERK, VILLAGE COUNCIL	<i>David B. Bred</i>	4-2-18
PLAT PRE-APPROVED	<i>Suzanne M. Cochran</i>	1-18-18
PLAT CHECKED	<i>Suzanne M. Cochran</i>	6-1-18
VILLAGE ORDINANCE NUMBER	7018-06	
TRANSFERRED THIS <u>3RD</u> DAY OF <u>June</u> 201 <u>8</u>		
AUDITOR, LOGAN COUNTY, OHIO	<i>Michael E. Spivey</i>	
RECORDED IN PLAT CABINET	B, SLIDE 136 B	
RECEIVED FOR RECORD AT	10:05 O'CLOCK A.M. THIS	
	1 ST DAY OF <u>June</u> , 20 <u>18</u>	
RECORDER, LOGAN COUNTY, OHIO	<i>Patricia A. Myers</i>	

Filed in LOGAN COUNTY OH
 PATRICIA MYERS, COUNTY RECORDER
 06-01-2018 At 10:05 am Fee: \$6.40
 2018002267 PLAT



SURVEYED BY: *William D. Edwards*
 WILLIAM D. EDWARDS
 PROFESSIONAL SURVEYOR No. 7574
 110 SOUTH MAIN STREET
 URBANA, OHIO 43078
 (937)653-8508