

REC'D 2-20-96 S.M.Y. OK ✓

LESLIE H. GEESLIN

REGISTERED SURVEYOR 5248

P. O. BOX 274

RUSHSVLVANIA, OHIO 43347

TELEPHONE: (513) 468-2793

HEMPY SURVEY

TRACT 1

The following described real estate situated in the State of Ohio, County of Logan, Township of Washington, being part of Five Park Addition in V. M. S. 10121-9946-9925 and more particularly described as follows:

Beginning at a 5/8 inch iron bar set at the northeast corner of Lot 275 in the west line of Allen Drive.

Thence with the west line of said Drive SOUTH 60.01 feet to a 5/8 inch iron bar set.

Thence S. 89° 54' 30" W. 62.54 feet to a 5/8 inch iron bar set in the east line of Lot 269.

Thence with the east line of said Lot 269 and Lot 270 NORTH 60.01 feet to a 5/8 inch iron bar set at the northeast corner of Lot 270.

Thence with the north line of Lot 275 N. 89° 54' 30" E. 62.54 feet to the place of beginning.

The above described tract being the north half of Lot 276 and all of Lot 275.

Bearings are based on an assumed bearing (SOUTH) for the west line of Allen Drive in this field survey by Leslie H. Geeslin on February 16, 1996.



Leslie H. Geeslin
LESLIE H. GEESLIN
RUSHSVLVANIA, OHIO
PH 513-468-2793

INDEXED ON MAP
9058 1D-1

REC'D 2-20-96 SHY ON ✓

LESLIE H. GEESLIN

REGISTERED SURVEYOR 5248

P. O. BOX 274

RUSHSVLVANIA, OHIO 43347

TELEPHONE: (513) 468-2793

HEMPY SURVEY

TRACT 2

The following described real estate situated in the State of Ohio, County of Logan, Township of Washington, being part of Five Park Addition in V. M. S. 10121-9946-9925 and more particularly described as follows:

Beginning at a 5/8 inch iron bar set at the southeast corner of Lot 277 in the west line of Allen Drive.

Thence with the south line of said Lot 277 S. 89° 54' 30" W. 62.54 feet to a 5/8 inch iron bar set at the southeast corner of Lot 268.

Thence with the east line of Lot 268 and Lot 269 NORTH 60.01 feet to a 5/8 inch iron bar set.

Thence N. 89° 54' 30" E. 62.54 feet to a 5/8 inch iron bar set in the west line of Allen Drive.

Thence with said Allen Drive SOUTH 60.01 feet to the place of beginning.

The above described tract being the south half of Lot 276 and all of Lot 277.

Bearings are based on an assumed bearing (SOUTH) for the west line of Allen Drive in this field survey by Leslie H. Geeslin on February 16, 1996.



Leslie H. Geeslin
LESLIE H. GEESLIN
RUSHSVLVANIA, OHIO
PH 513-468-2793

INDEXED ON MAP
9058 1D-2

LEGEND:

A = BR. SPIKE FD
B = 9/8" IRON BAR SGT



HANCOCK DR.

A

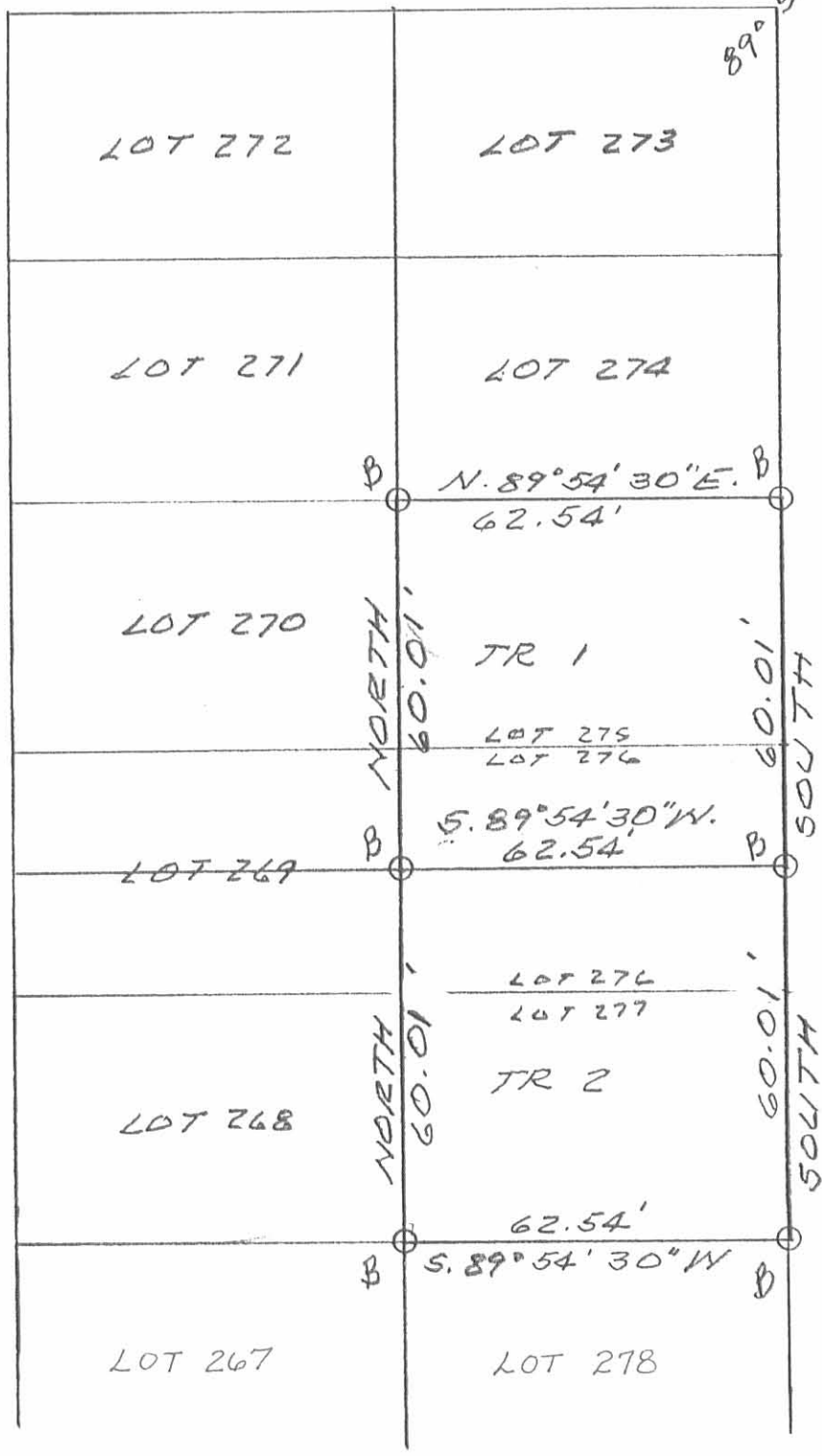
INDIAN DRIVE

155.08'

€

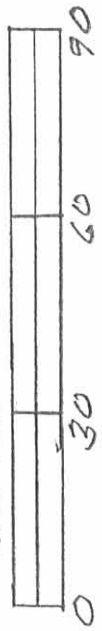
A

89° 54' 30"



ALLEN DRIVE

SURVEY OF LOTS 275, 276 & 277,
 FIVE PARK ADDITION, VMS. 10/21-
 9946-9925, WASHINGTON TOWNSHIP,
 LOGAN COUNTY, OHIO FOR ROBERT
 HENPHY. FEBRUARY 16, 1996
 SCALE: 1" = 30'



REVISED CIV MAP
 9058 1P

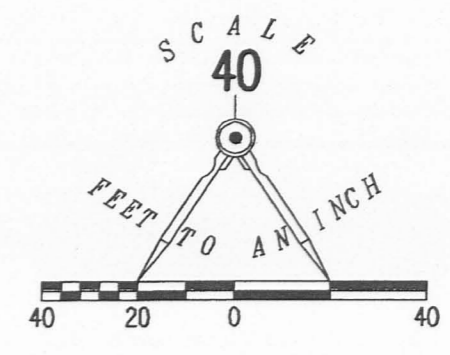
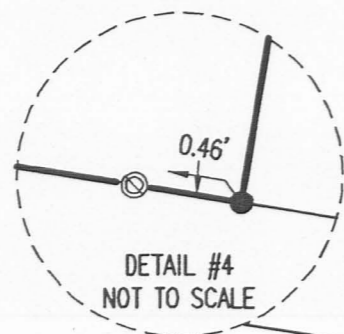
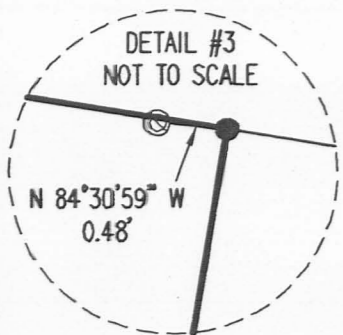
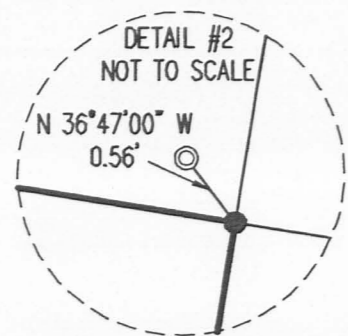
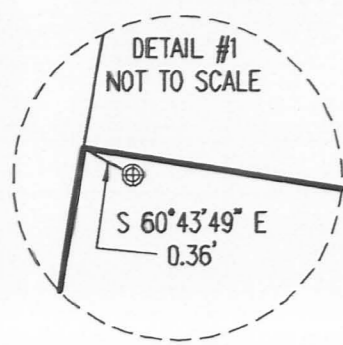


Leslie H. Geeslin
 LESLIE H. GEESLIN
 RUSHsylvania, OHIO
 PH 513-468-2793

REC'D 6-16-10 SUM CON

LEGEND:

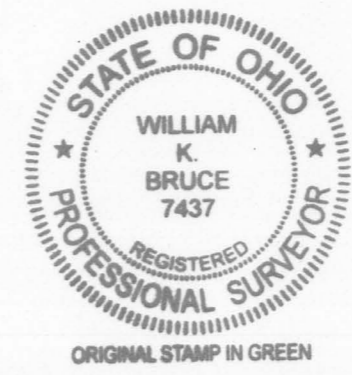
- ⊗ 3/4 INCH IRON ROD FOUND
- ⊠ 1 INCH SQUARE IRON BAR FOUND
- ⊗ RAILROAD SPIKE FOUND
- ⊕ AXEL FOUND
- ⊙ 2 INCH IRON PIPE FOUND
- ⊙ 1-1/4 INCH IRON PIPE FOUND
- 5/8 INCH IRON ROD SET WITH PLASTIC I.D. CAP STAMPED "LSM 7437"



RETRACEMENT SURVEY OF THE
 CHERYL J. McCOY AND
 BONNIE L. CAIL
 LOTS 265, 264 & 281
 FIVE PARKS ADDITION
 PLAT CABINET A, SLIDE 218
 OFFICIAL RECORD 963, PAGE 836
 OFFICIAL RECORD 981, PAGE 337
 WASHINGTON TOWNSHIP
 LOGAN COUNTY, OHIO

SURVEYED BY:

William K. Bruce
 WILLIAM K. BRUCE
 PROFESSIONAL SURVEYOR 7437
 JUNE 10, 2010



COPYRIGHT 2010 BY:
 LEE SURVEYING & MAPPING CO., INC.
 117 North Madriver Street
 BELLEFONTAINE, OHIO 43311
 (937) 593-7335
 surveys@lsminc.us
 KSS D0610 4975610 L-4975-3

2 WORKING DAYS
BEFORE YOU DIG
 CALL TOLL FREE **800-362-2764**
 OHIO UTILITIES PROTECTION SERVICE

INDEXED ON MAP
 9058 2P