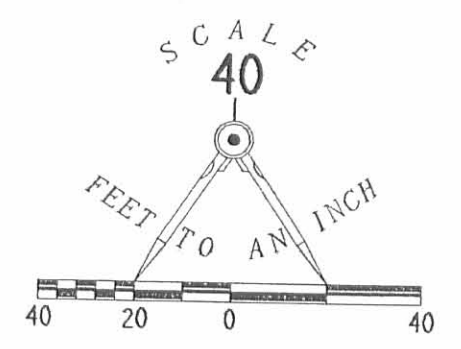
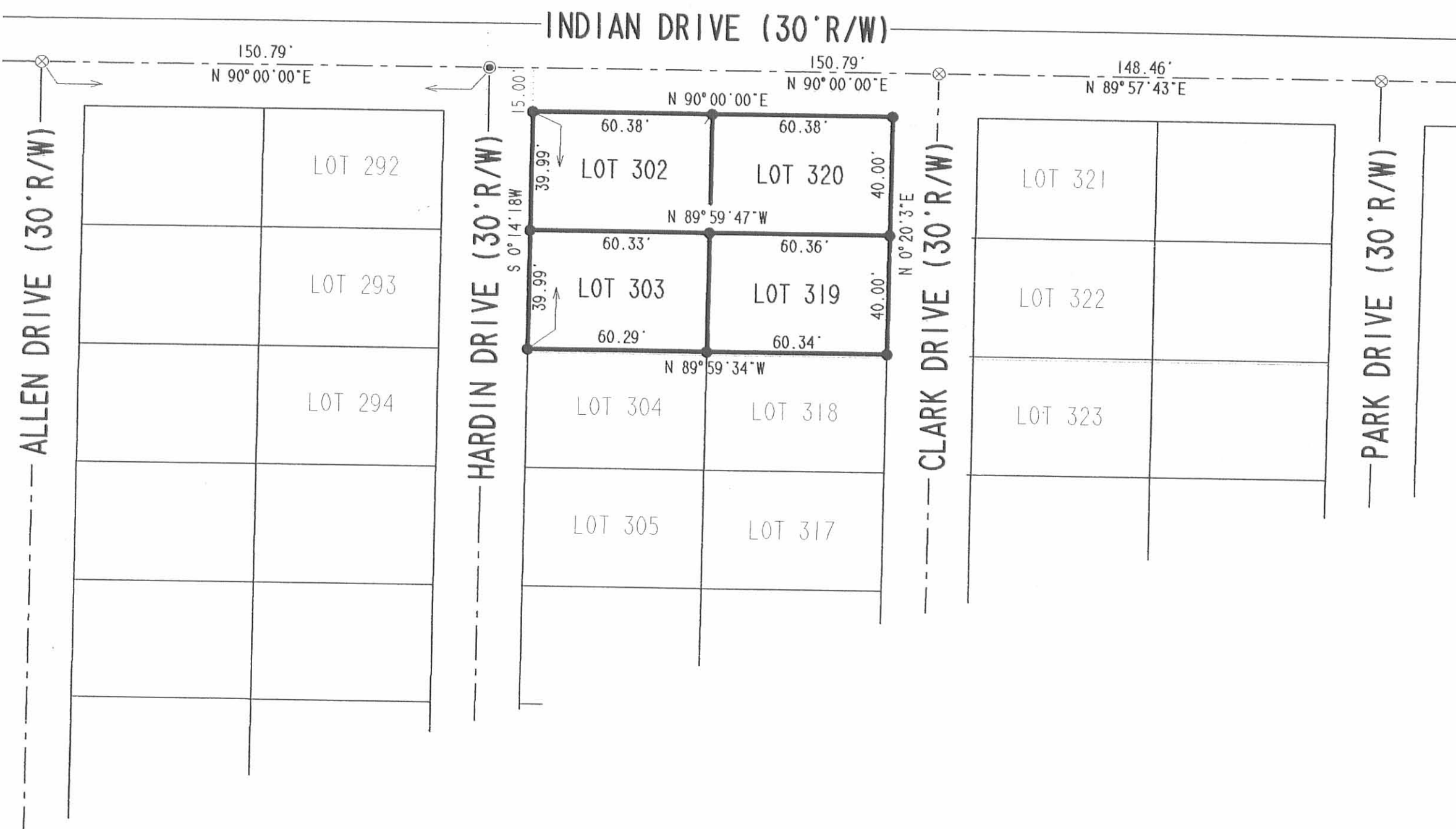


REC'D 12-26-00 SMG



- LEGEND
- 5/8 INCH IRON ROD SET
 - ⊙ MAG NAIL SET
 - ⊗ RAILROAD SPIKE FOUND

RETRACEMENT SURVEY OF
 LOTS 302, 303, 319, AND 320
 FIVE PARKS ADDITION
 PLAT CABINET A, SLIDE 218
 WASHINGTON TOWNSHIP
 LOGAN COUNTY, OHIO

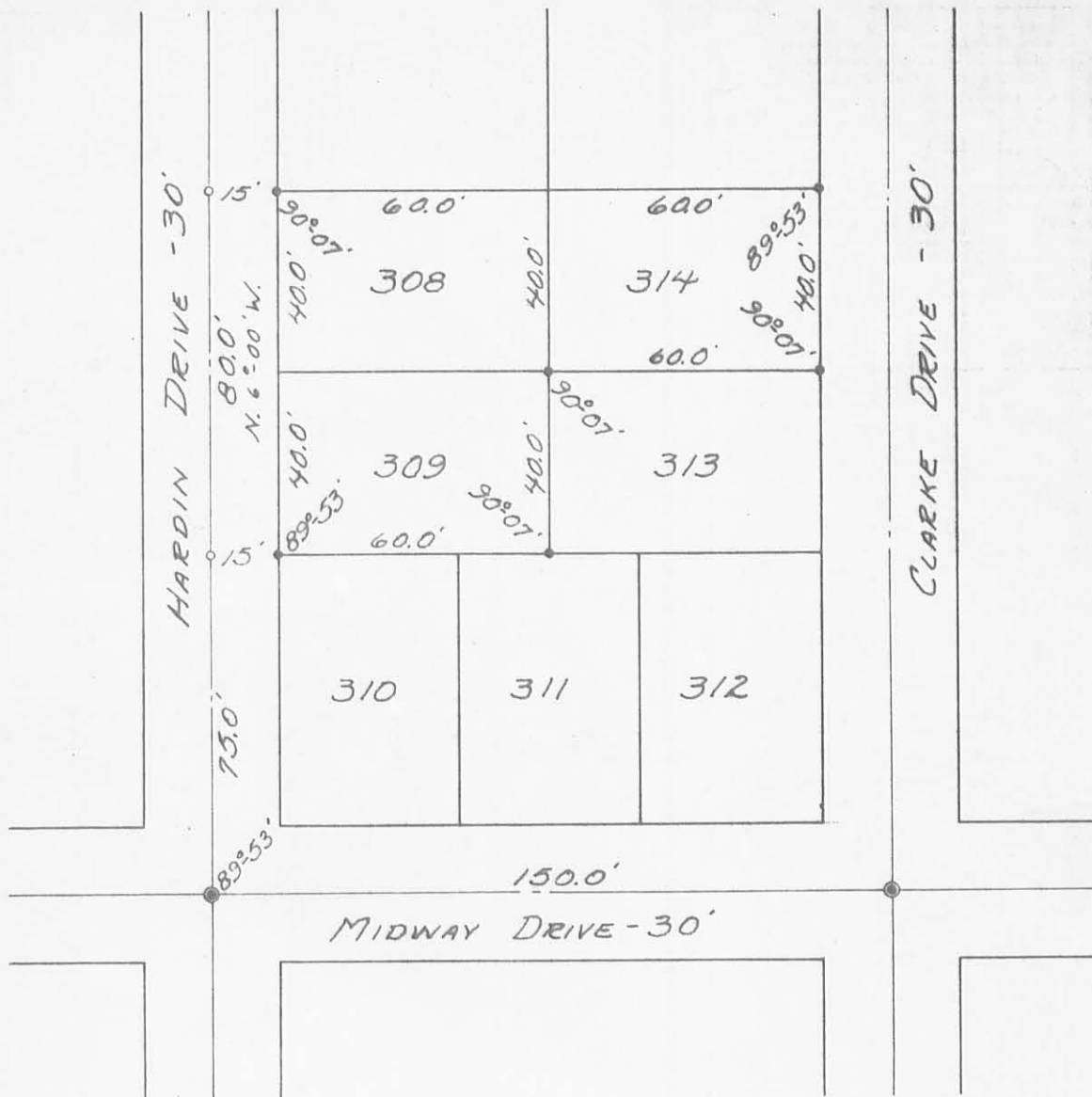


SURVEYED BY:
[Signature]
 JEFFREY L. LEE
 PROFESSIONAL SURVEYOR 6359
 DECEMBER 21, 2000

2 WORKING DAYS
BEFORE YOU DIG
 CALL TOLL FREE **800-362-2764**
 OHIO UTILITIES PROTECTION SERVICE

INDEXED ON MAP
4/16/01

COPYRIGHT 2000 BY:
 LEE SURVEYING & MAPPING CO., INC.
 117 North Madriver Street
 BELLEFONTAINE, OHIO 43311
 (937) 593-7335



- - R. R. SPIKES SET.
- - 5/8" Ø IRON BARS SET.
- ⊙ - 1" Ø IRON BARS FOUND.

REFERENCES:
 FIVE PARKS ADDITION.
 PLAT BOOK B VOL. 2 PAGE 120.
 F. B. No. 700 PAGE 24.

SURVEYED AND PLATTED BY:
 DANIEL E. GILBERT, P.S.
 REG. SUR. No. 5402
 428 N. MADRIVER ST.
 BELLEFONTAINE, OHIO 43311



SURVEY OF
 LOTS 308-309-314
 FIVE PARKS ADDITION
 V.M.S. No. 9925-9946-10121
 WASHINGTON TOWNSHIP
 LOGAN COUNTY, OHIO
 APRIL 4, 1970

SCALE: 1" = 40'

4668
 2P

INDEXED ON MAP