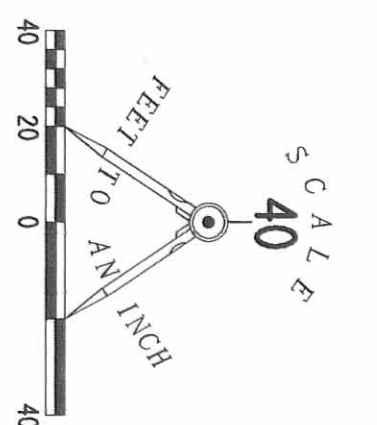
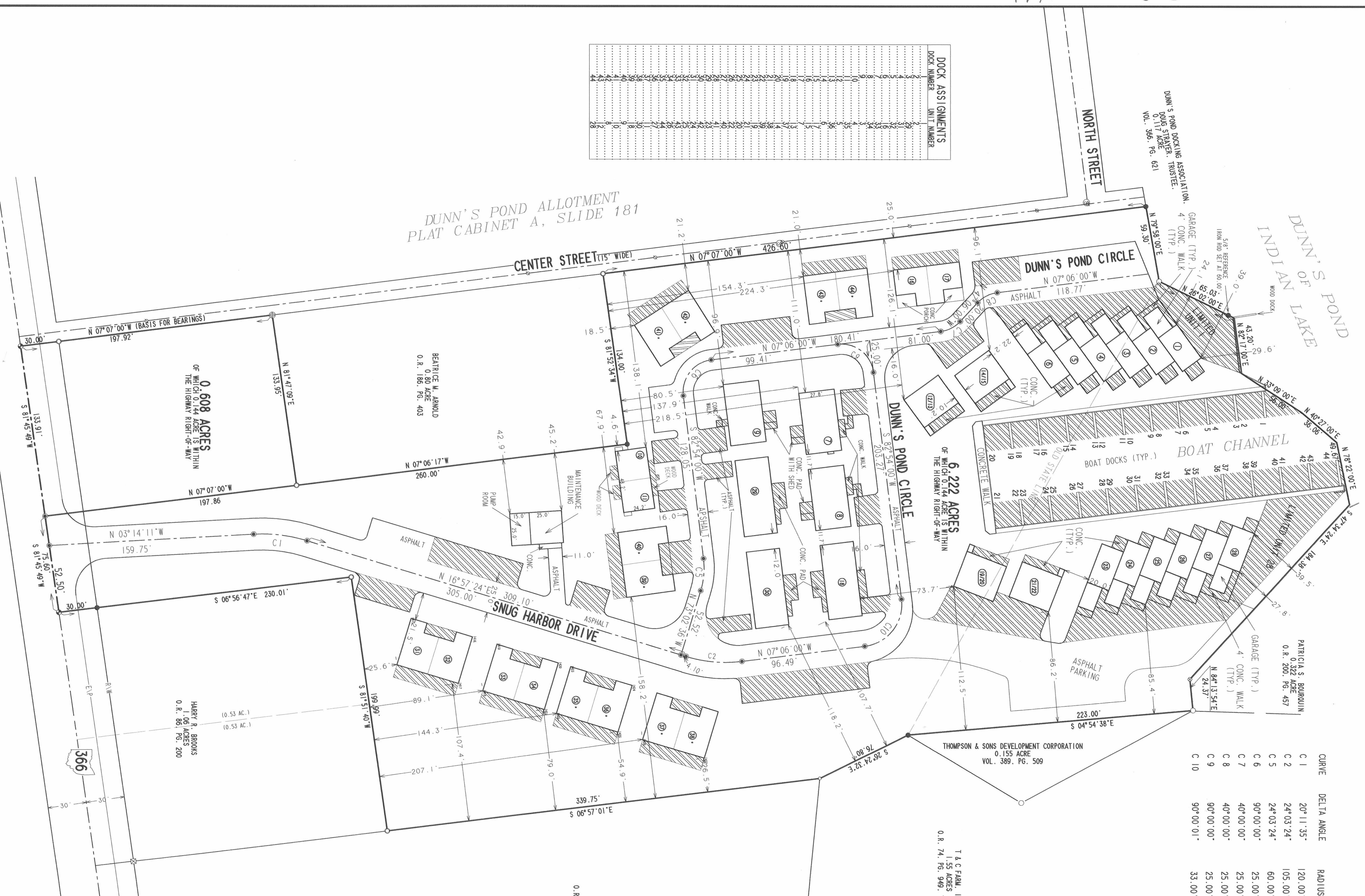


CURVE	DELTA ANGLE	RADIUS	ARC	TANGENT	CHORD	CHORD BEARING
C 1	20° 11' 35"	120.00'	42.29'	21.37'	42.07'	N 06° 51' 36" E
C 2	24° 03' 24"	105.00'	44.09'	22.37'	43.76'	N 04° 55' 42" E
C 5	24° 03' 24"	60.00'	25.19'	12.78'	25.01'	N 85° 04' 18" W
C 6	90° 00' 00"	25.00'	39.27'	25.00'	35.36'	N 52° 06' 00" W
C 7	40° 00' 00"	25.00'	17.45'	9.10'	17.10'	N 27° 06' 00" W
C 8	90° 00' 00"	25.00'	39.27'	9.10'	17.10'	N 27° 06' 00" W
C 9	90° 00' 00"	25.00'	39.27'	25.00'	35.36'	N 37° 54' 00" E
C 10	90° 00' 01"	33.00'	51.84'	33.00'	46.67'	N 52° 06' 00" W



- LEGEND**
- 5/8" IRON ROD SET W/ PLASTIC I.D. CAP
  - STAMPED LEE 793539
  - 5/8" IRON ROD FOUND
  - ⊕ 3/4" IRON ROD FOUND
  - 3/4" METAL PIPE FOUND
  - 1 1/4" METAL PIPE FOUND
  - 1" IRON BAR FOUND
  - 1 1/2" METAL PIPE FOUND
  - ⚡ RAILROAD SPIKE SET
  - ⚡ P.K. MAIL W/ SHINER FOUND
  - ⚡ MAG NAIL SET
  - ⚡ 3/4" SQUARE IRON BAR FOUND
  - ⊕ SANITARY SEWER MANHOLE
  - ⊕ SANITARY SEWER CLEAN-OUT
  - ⊕ STORM SEWER CATCH BASIN
  - ▭ LIMITED COMMON AREA
  - ⑦ UNIT NUMBERS
  - ⑦ INDICATES BUILDING THAT ARE NOT YET COMPLETE



**SNUG HARBOR CONDOMINIUM**

**AT DUNN'S POND**  
**AMENDMENT NUMBER 4**  
**6.222 ACRES**  
**VIRGINIA MILITARY SURVEY 9925-9946-10121**  
**PLAT CABINET B, SLIDES 728 - 738**  
**WASHINGTON TOWNSHIP**  
**LOGAN COUNTY, OHIO**

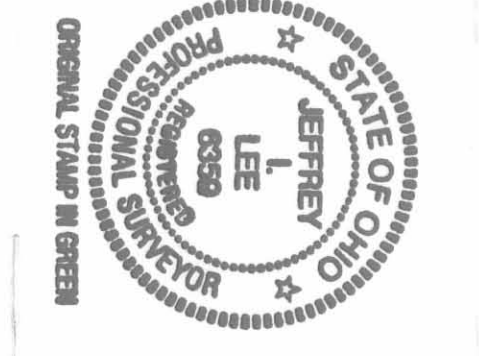
ALL OF THE

DUNN'S POND ASSOCIATES, LTD.  
ORIGINAL 6.830 ACRES  
OFFICIAL RECORD 272, PAGE 238

WE DO HEREBY STATE THAT THIS DRAWING OF SNUG HARBOR CONDOMINIUMS SHOWS ALL BUILDINGS AS CONSTRUCTED.

**MICHAEL W. BOW**  
PROFESSIONAL ENGINEER 38860  
JANUARY 7, 2002  
**THE M & K ENGINEERING CO.**  
RUSSELLS POINT, OHIO 43348  
(937) 842-2698

**JEFFREY I. LEE**  
PROFESSIONAL SURVEYOR 6359  
JANUARY 7, 2002  
**LEE SURVEYING & MAPPING CO., INC.**  
BELLEROUNTAIN, OHIO 43311  
(937) 593-7335



APPROVED BY THE L.U.C. PLANNING COMMISSION  
THIS 30 DAY OF September, 2002.

DIRECTOR - PLANNING COMMISSION  
PRE-APPROVAL *Don C. H.* 9-25-02  
PLAT CHECKED *Don C. H.* 9-25-02  
TRANSFERRED THIS 22nd DAY OF September, 2002.  
*Nicholas E. Klein*

AUDITOR, LOGAN COUNTY, OHIO  
RECORDED IN PLAT CABINET B, SLIDE 78B  
RECEIVED FOR RECORD AT 1:38 P.M.  
THIS 30th DAY OF September, 2002.  
*Janice Penman*  
RECORDER, LOGAN COUNTY, OHIO

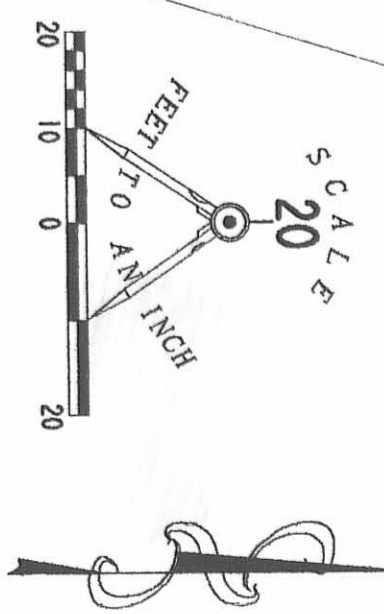
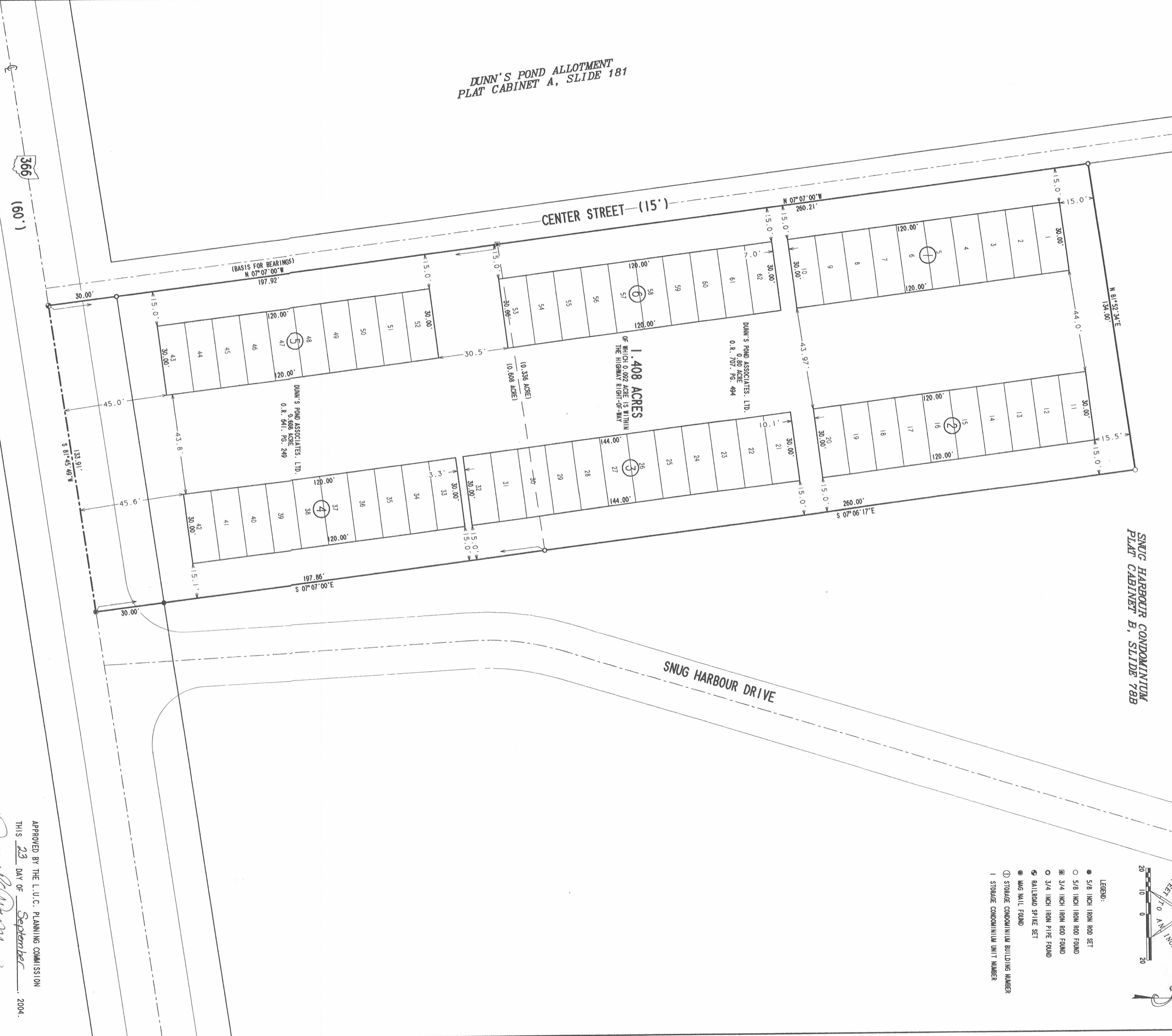
2 WORKING DAYS  
BEFORE YOU DIG 784  
CALL TOLL FREE 800-362-2764

EXHIBIT 'C'

# SNUG COVE STORAGE CONDOMINIUM BUILDINGS 1 THROUGH 6 - UNITS 1 THROUGH 62

VIRGINIA MILITARY SURVEY 9925-9946-10121 - WASHINGTON TOWNSHIP - LOGAN COUNTY - OHIO  
ALL OF THE DUNN'S POND ASSOCIATES, LTD. 0.608 ACRE TRACT - OFFICIAL RECORD 641, PAGE 249  
ALL OF THE DUNN'S POND ASSOCIATES, LTD. 0.80 ACRE TRACT - OFFICIAL RECORD 707, PAGE 494

SNUG HARBOUR CONDOMINIUM PLAT CABINET B, SLIDE 78B



**ENGINEER'S CERTIFICATION:**  
 I DO HEREBY CERTIFY THAT THIS PLANNING ACCURATELY REFLECTS THE LOCATION OF THE BUILDINGS AS BUILT OR CONSTRUCTED.

**SURVEYOR'S CERTIFICATION:**  
 I DO HEREBY CERTIFY THAT SURVEY OF SNUG COVE STORAGE CONDOMINIUM ACCURATELY REFLECTS THE LOCATION OF IMPROVEMENTS AND RECORDS THEREON.

*Michael W. Brou*  
 MICHAEL W. BROW  
 PROFESSIONAL ENGINEER 38880  
 SEPTEMBER 3, 2004  
 THE M. B. K. ENGINEERING CO.  
 STATE OF OHIO  
 RUSSELLS POINT, OHIO 43348  
 (937) 642-2698

*Jeffrey A. Lee*  
 JEFFREY A. LEE  
 PROFESSIONAL SURVEYOR 6359  
 SEPTEMBER 3, 2004  
 LEE SURVEYING & MAPPING CO., INC.  
 1717 North Medinger Street  
 BELLEFONTAINE, OHIO 43311  
 (937) 593-7355



APPROVED BY THE L.U.C. PLANNING COMMISSION  
 THIS 23 DAY OF September, 2004.  
*Janet R. Mann*  
 DIRECTOR, PLANNING COMMISSION  
 PRE-APPROVAL *Jan. C.H.S.* 9-17-04  
 PLAT CHECKED *Jan. C.H.S.* 9-28-04  
 TRANSMITTED THIS 28th DAY OF September, 2004.  
 AUDITOR: Logan County, Ohio  
 RECORDED IN PLAT CABINET B, SLIDE 92B  
 RECEIVED FOR RECORD AT 8:54 O'CLOCK P.M.  
 THIS 28th DAY OF September, 2004.  
*Janet R. Mann*  
 RECORDER, LOGAN COUNTY, OHIO

**NOTE:**  
 1. THE WORD "CERTIFY" IS INTENDED TO BE AS DEFINED IN OHIO ADMINISTRATIVE CODE 4733-35-04(C).  
 2. WORKING DAYS BEFORE YOU DIE 800-362-2764  
 CALL TOLL FREE 800-362-2764  
 STATE OF OHIO  
 MICHAEL W. BROW  
 REGISTERED PROFESSIONAL ENGINEER  
 NO. 38880  
 EXPIRES 9-3-04

20040928