

COUNTY ROAD NO. 94

40'

LOT 42

LOT 41



HAYNES SURVEY
 LOT 42
 BERG'S ALLOTMENT
 WASHINGTON TOWNSHIP
 LOGAN COUNTY OHIO
 JUNE 1949
 F.F. WRIGHT

INDEXED ON MAP

2415 1P

INDEXED ON MAP

Received 7-22-91
OK JLB 7-22-91



Lee Surveying and Mapping Co.



Farm Surveys • Lot Surveys • Topography • Subdivisions • Construction Layout

143 EAST COLUMBUS AVENUE
BELLEFONTAINE, OHIO 43311

(513) 593-7335

JEFFREY I. LEE, P.S.

REAMES TO BUSH (0.018 ACRE)

Lying in Lot 42 of the Berg's Allotment, V.M.S. 9925, 9946, 10121, Washington Township, Logan County, Ohio.

Being part of said Lot 42 and the street vacated by the Logan County Commissioners in Official Record 117, Page 200 of the Logan County Records of Deeds and being more particularly described as follows:

Beginning at a 5/8 inch iron rod set on the center-line of the said vacated street and the easterly right-of-way of Township Road 94 (40 feet wide).

THENCE, with the center-line of the said vacated street, N 78°-00'-58" E, a distance of 63.03 feet to a 3/4 inch iron rod set at the TRUE POINT OF BEGINNING.

THENCE, with the center-line of the said vacated street, N 78°-00'-58" E, a distance of 61.37 feet to a 5/8 inch iron rod set at the easterly end of the said vacated street.

THENCE, with the easterly end of the said vacated street, S 24°-44'-55" W, a distance of 32.72 feet to a 3/4 inch iron rod set, passing a 3/4 inch pipe found at the original northeast corner of Lot 42 at 25.22 feet.

THENCE, N 69°-52'-47" W, a distance of 49.34 feet to the point of beginning.

Containing 0.018 acre.

The basis for bearings is based upon the center-line of Township Road 94 being N 24°-32'-00" E, and all other bearings are from angles and distances measured in a field survey performed by Lee Surveying and Mapping Company on July 16, 1991.

Description prepared by:



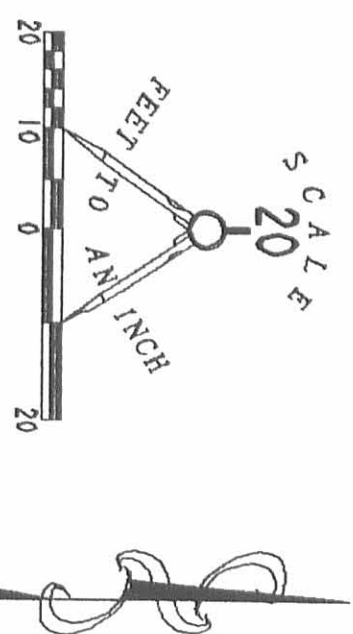
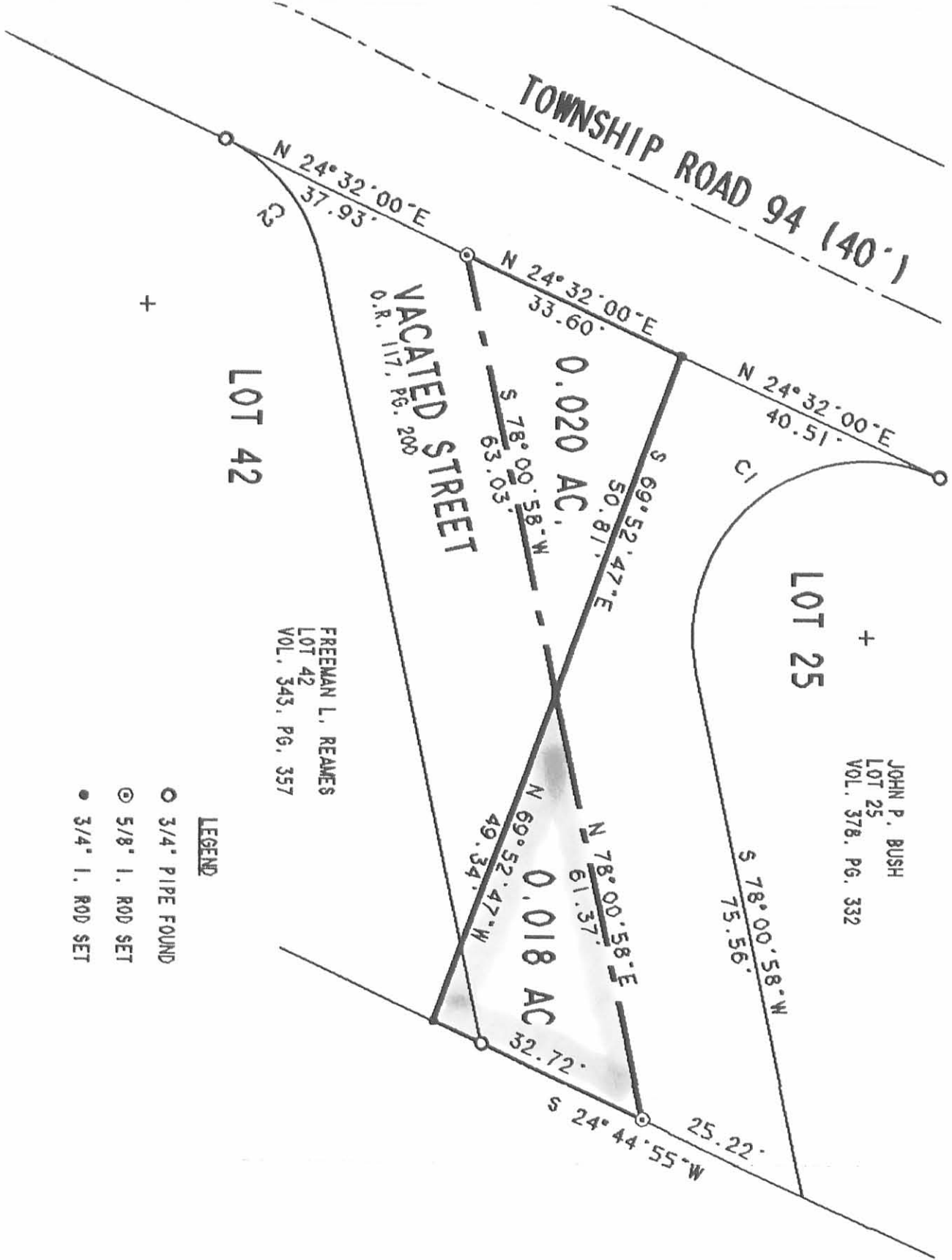
Jeffrey I. Lee
Jeffrey I. Lee
Professional Surveyor 6359
July 21, 1991

L 1851

ORIGINAL STAMP IN GREEN

INDEXED ON MAP
2415 2D-1

CURVE	DELTA ANGLE	RADIUS	ARC	TANGENT	CHORD	CHORD BEARING
C 1	126°31'02"	24.67'	54.47'	48.96'	44.06'	N 38°43'31"W
C 2	53°28'58"	25.37'	23.68'	12.78'	22.83'	N 51°16'29"E



**SURVEY OF TWO TRACTS FOR
 FREEMAN L. REAMES AND
 JOHN P. BUSH
 OUT OF LOTS 25 AND 42 OF THE
 BERG'S ALLOTMENT
 V.M.S. 9925, 9946, 10121
 WASHINGTON TOWNSHIP
 LOGAN COUNTY, OHIO**

INDEXED ON MAP
2415 ZP

SURVEYED BY:

JEFFREY J. LEE
 PROFESSIONAL SURVEYOR 6359
 JULY 16, 1991

LEE SURVEYING & MAPPING CO.
 143 East Columbus Avenue
 BELLEFONTAINE, OHIO 45311
 (613) 593-7335



ORIGINAL STATE OF OHIO GREEN

- LEGEND**
- 3/4" PIPE FOUND
 - ⊙ 5/8" I. ROD SET
 - 3/4" I. ROD SET

Received 7-22-91
OK JLB 7-22-91



Lee Surveying and Mapping Co.



Farm Surveys • Lot Surveys • Topography • Subdivisions • Construction Layout

143 EAST COLUMBUS AVENUE
BELLEFONTAINE, OHIO 43311

(513) 593-7335

JEFFREY I. LEE, P.S.

BUSH TO REAMES (0.020 ACRE)

Lying in Lot 25 of the Berg's Allotment, V.M.S. 9925, 9946, 10121, Washington Township, Logan County, Ohio.

Being part of said Lot 25 and the street vacated by the Logan County Commissioners in Official Record 117, Page 200 of the Logan County Records of Deeds and being more particularly described as follows:

Beginning at a 5/8 inch iron rod set on the center-line of the said vacated street and the easterly right-of-way of Township Road 94 (40 feet wide).

THENCE, with the right-of-way of Township Road 94, N 24°-32'-00" E, a distance of 33.60 feet to a 3/4 inch iron rod set.

THENCE, S 69°-52'-47" E, a distance of 50.81 feet to a 3/4 inch iron rod set on the center-line of the said vacated street.

THENCE, with the center-line of the said vacated street, S 78°-00'-58" W, a distance of 63.03 feet to the point of beginning.

Containing 0.020 acre.

The basis for bearings is based upon the center-line of Township Road 94 being N 24°-32'-00" E, and all other bearings are from angles and distances measured in a field survey performed by Lee Surveying and Mapping Company on July 16, 1991.

Description prepared by:



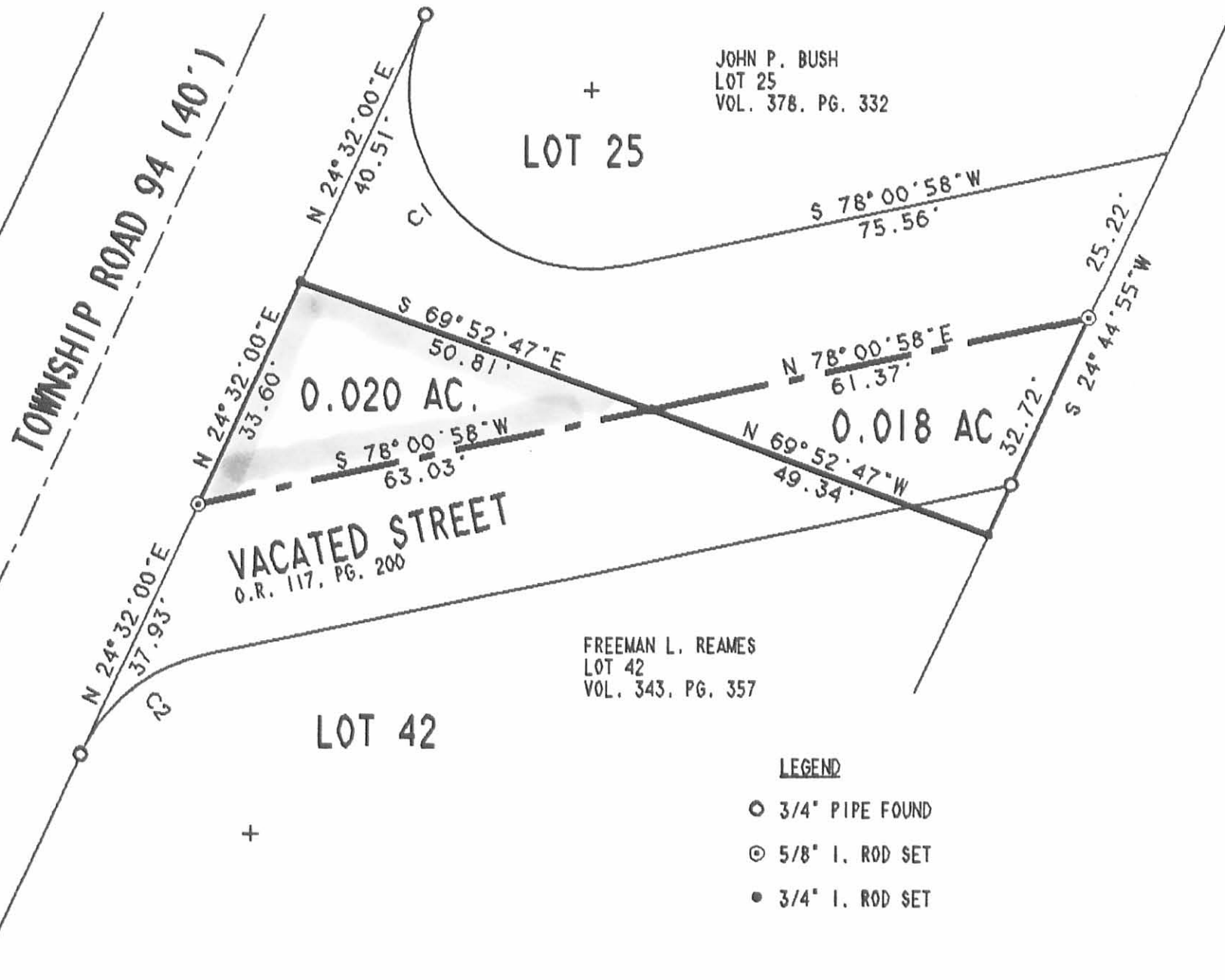
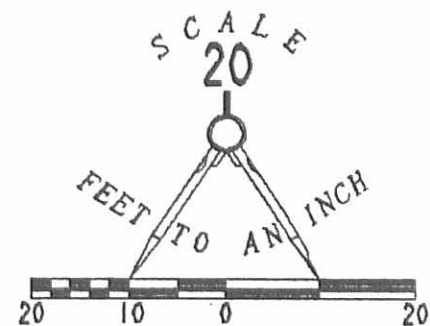
Jeffrey I. Lee
Jeffrey I. Lee
Professional Surveyor 6359
July 21, 1991

L 1851

ORIGINAL STAMP IN GREEN

INDEXED ON MAP
2415 3D

CURVE	DELTA ANGLE	RADIUS	ARC	TANGENT	CHORD	CHORD BEARING
C 1	126° 31' 02"	24.67'	54.47'	48.96'	44.06'	N 38° 43' 31" W
C 2	53° 28' 58"	25.37'	23.68'	12.78'	22.83'	N 51° 16' 29" E



SURVEY OF TWO TRACTS FOR
 FREEMAN L. REAMES AND
 JOHN P. BUSH
 OUT OF LOTS 25 AND 42 OF THE
 BERG'S ALLOTMENT
 V.M.S. 9925, 9946, 10121
 WASHINGTON TOWNSHIP
 LOGAN COUNTY, OHIO

INDEXED ON MAP
 2415 3P

SURVEYED BY:

Jeffrey I. Lee
 JEFFREY I. LEE
 PROFESSIONAL SURVEYOR 6359
 JULY 16, 1991



ORIGINAL STAMP IN GREEN

LEE SURVEYING & MAPPING CO.
 143 East Columbus Avenue
 BELLEFONTAINE, OHIO 43311
 (513) 593-7335

FREEMAN L. REAMES
 LOT 42
 VOL. 343, PG. 357

- LEGEND
- 3/4" PIPE FOUND
 - ⊙ 5/8" I. ROD SET
 - 3/4" I. ROD SET

6-28-21

RETRACEMENT SURVEY

VIRGINIA MILITARY SURVEY 9925-9946-10121

WASHINGTON TOWNSHIP
LOGAN COUNTY, OHIO

DEED & SURVEY REFERENCES:

REFERENCE DEEDS SHOWN HEREON

LOGAN COUNTY ENGINEER'S MAP ROOM
FILES: 2415, 1334 AND 3882

BERG'S ALLOTMENT
PLAT CABINET A, SLIDE 263

ROBERT C. HUSTON
PART OF LOT 25
O.R. 1260, PG. 387
TRACT I

CATHERINE E. SCHAEFER
0.020 ACRE PART OF LOT 25
O.R. 925, PG. 144
TRACT II

ROBERT C. HUSTON
0.018 ACRE PART OF LOT 42
O.R. 1260, PG. 387
TRACT II

ELIZABETH A. BUSCHER
0.08 ACRE
O.R. 649, PG. 596
TRACT II

CATHERINE E. SCHAEFER
LOTS 41 & 42 AND PART OF VACATED ALLEY
O.R. 925, PG. 144
TRACT I

0.348 ACRE

LEGEND:

- ⊗ 1 INCH IRON PIPE FOUND
- ⊙ 1/2 INCH IRON PIPE FOUND
- 1 INCH IRON REBAR FOUND
- ⊙ 3/4 INCH IRON REBAR FOUND
- 5/8 INCH IRON REBAR FOUND
- 5/8 INCH BY 30 INCH IRON REBAR SET WITH PLASTIC I.D. CAP STAMPED "DLZ OHIO INC."

R/W = RIGHT-OF-WAY

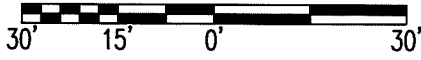
C/L = CENTER-LINE

O.R. = OFFICIAL RECORD

PG. = PAGE

N.T.S. = NOT TO SCALE

— X — X — DENOTES VINYL FENCE LINE



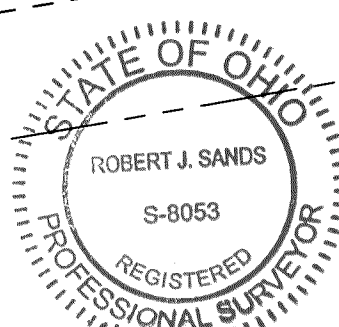
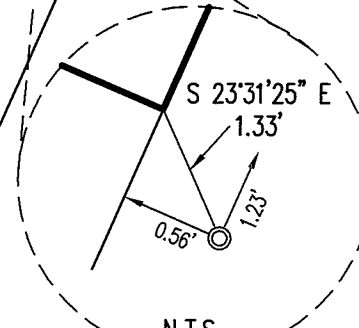
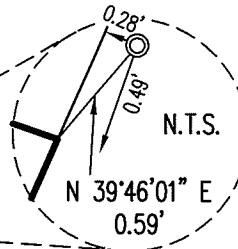
SCALE: 1" = 30'
DISTANCES SHOWN HEREON
ARE IN U.S. SURVEY FEET

OCCUPATION NOTE:

NO EVIDENCE OF OCCUPATION ALONG
BOUNDARY LINES UNLESS OTHERWISE SHOWN

BASIS FOR BEARINGS:

BEARINGS AND DISTANCES, SHOWN HEREON,
ARE DERIVED FROM GPS OBSERVATIONS
BASED ON GRID NORTH, OHIO STATE PLANE
COORDINATE SYSTEM, NORTH ZONE, NAD83
(2011, EPOCH 2010), WITH THE EASTERLY
RIGHT-OF-WAY LINE OF TOWNSHIP ROAD 94,
HAVING A BEARING OF N 23°27'39" E.



Robert J. Sands
ROBERT J. SANDS
PROFESSIONAL SURVEYOR NO. 8053
JUNE, 2021

THIS SURVEY WAS PREPARED IN THE
ABSENCE OF A COMPLETE AND ACCURATE
TITLE SEARCH AND DOES NOT GUARANTEE
TITLE.

COPYRIGHT 2021 BY:



117 N. Madriver Street • Bellefontaine, OH 43311
(937) 593-7335 • www.dlz.com
Project #2121-2061.00

INDEXED ON MAP

2415

DRAWN BY:	DESCRIPTION	REV. NO.	DATE
KSS			6/9/2021