

REC'D 12-12-96

LOT 2072

LOT 2073

LOT 2044

N 82° 51' 37" E
73.75'

LOT 2043

MARY LOU CURRY
LOT 2074
O.R. 303, PP. 360, 361, 362, 363
0.118 ACRE

70.00'

S 06° 29' 19" E

LOT 2042

N 06° 30' 00" W (BASIS FOR BEARINGS)
70.01'

LOT 2075

73.73'
S 82° 51' 16" W

LOT 2041

ONEIDA PATH (35')

LOT 2076

70.01'

LOT 2040

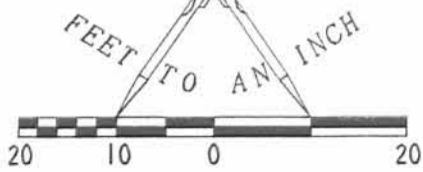
LOT 2077

S 82° 50' 54" W

KIOWA PATH (35')

BLUE JACKET PATH (35')

SCALE
20



RETRACEMENT SURVEY OF THE
MARY LOU CURRY LOTS 2074 AND 2075
OFFICIAL RECORD 303, PAGES 360, 361, 362, 363
CHIPPEWA PARK NO. 3, PLAT CAB. A, SLIDE 235
STOKES TOWNSHIP
LOGAN COUNTY, OHIO

- LEGEND
- 5/8" IRON ROD SET W/ PLASTIC I.D. CAP STAMPED "LEE PS6359"
 - 1" METAL PIPE FOUND
 - ⊗ RAILROAD SPIKE FOUND



SURVEYED BY:

JEFFREY I. LEE
PROFESSIONAL SURVEYOR 6359
DECEMBER 4, 1996

ORIGINAL STAMP IN GREEN

COPYRIGHT 1996 BY:
LEE SURVEYING & MAPPING CO., INC.
117 North Madriver Street
BELLEFONTAINE, OHIO 43311
(937) 593-7335

2 WORKING DAYS
BEFORE YOU DIG
CALL TOLL FREE **800-362-2764**
OHIO UTILITIES PROTECTION SERVICE.

INDEXED ON MAP
9112

IP

D 304 MRYCURRY

L-2485-3

REV'D 10-15-97 SWK

LEGEND:
 Δ = R.R. SPIKE FOUND
 ◻ = P.K. NAIL FOUND
 ○ = 5/8 INCH IRON BAR SET



SCALE: 1" = 20'



SURVEY OF LOT 2040 OF
 CHIPPEWA PARK NO. 3
 STOKES TOWNSHIP, LOGAN
 COUNTY, OHIO FOR
 GERALD SEYMORE ON
 OCTOBER 14, 1997

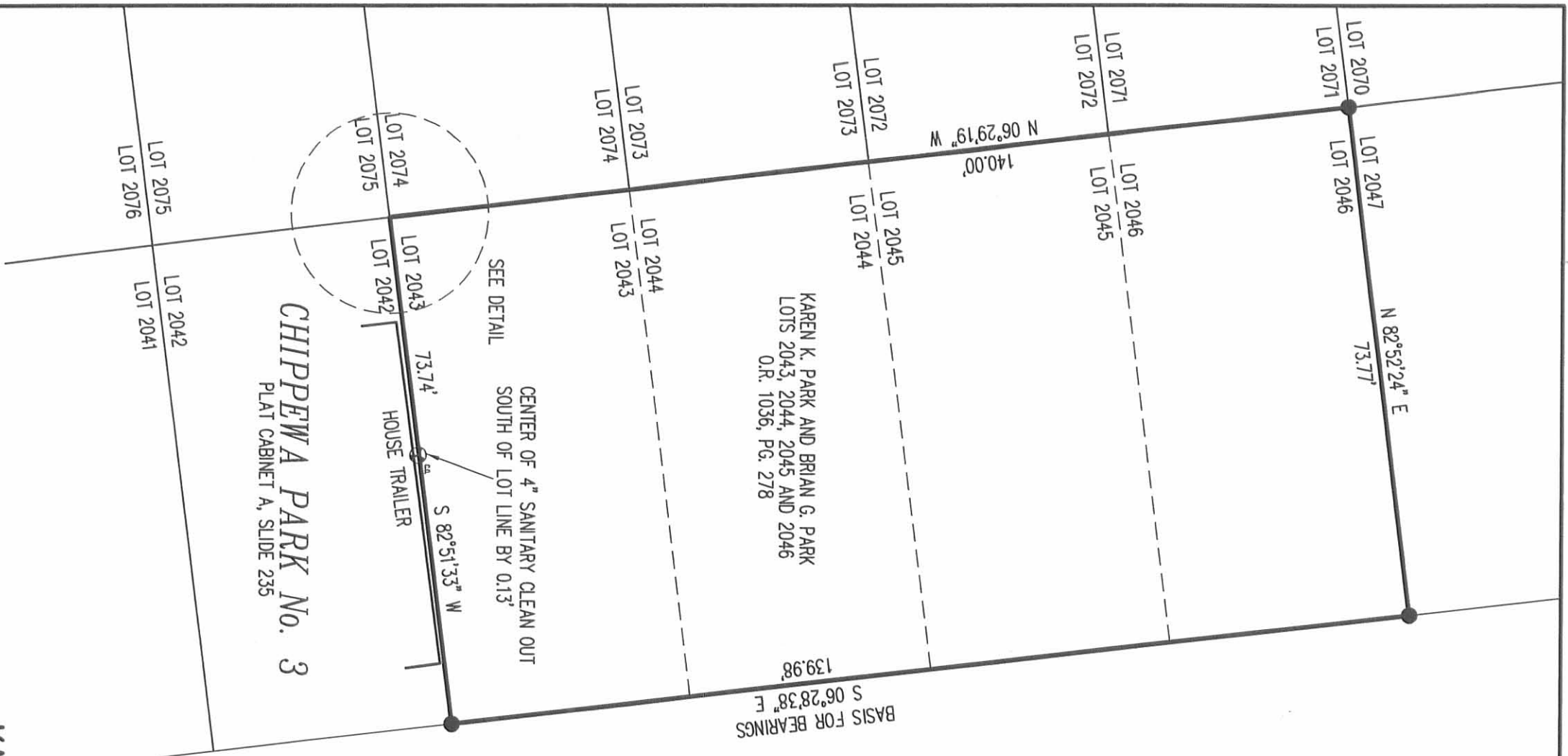


9112

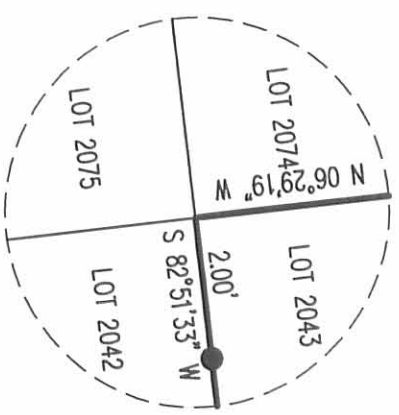
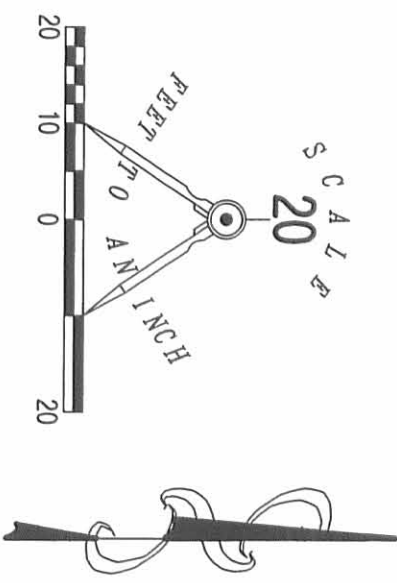
2P

Leslie H. Geeslin
 LESLIE H. GEESLIN
 RUSHSVLVANIA, O
 19871469-2797

REV'D 9-1-11 SWM



KIOWA PATH (35 FEET WIDE)



LEGEND

● 5/8 INCH IRON ROD SET WITH PLASTIC I.D. CAP STAMPED "LSM 7437"

RETRACEMENT SURVEY OF THE
 KAREN K. PARK AND BRIAN G. PARK
 LOTS 2043, 2044, 2045 AND 2046
 OFFICIAL RECORD 1036, PAGE 278
 CHIPPEWA PARK No. 3
 PLAT CABINET A, SLIDE 235
 STOKES TOWNSHIP
 LOGAN COUNTY, OHIO

SURVEYED BY:

William K. Bruce
 WILLIAM K. BRUCE
 PROFESSIONAL SURVEYOR 7437
 AUGUST 25, 2011
 REVISED AUGUST 31, 2011



COPYRIGHT 2011 BY:
 LEE SURVEYING & MAPPING CO., INC.
 117 North Modriver Street
 BELLEFONTAINE, OHIO 43311
 (937) 593-7335
 surveys@lsminc.us
 D0811 51990811 L-5199-3

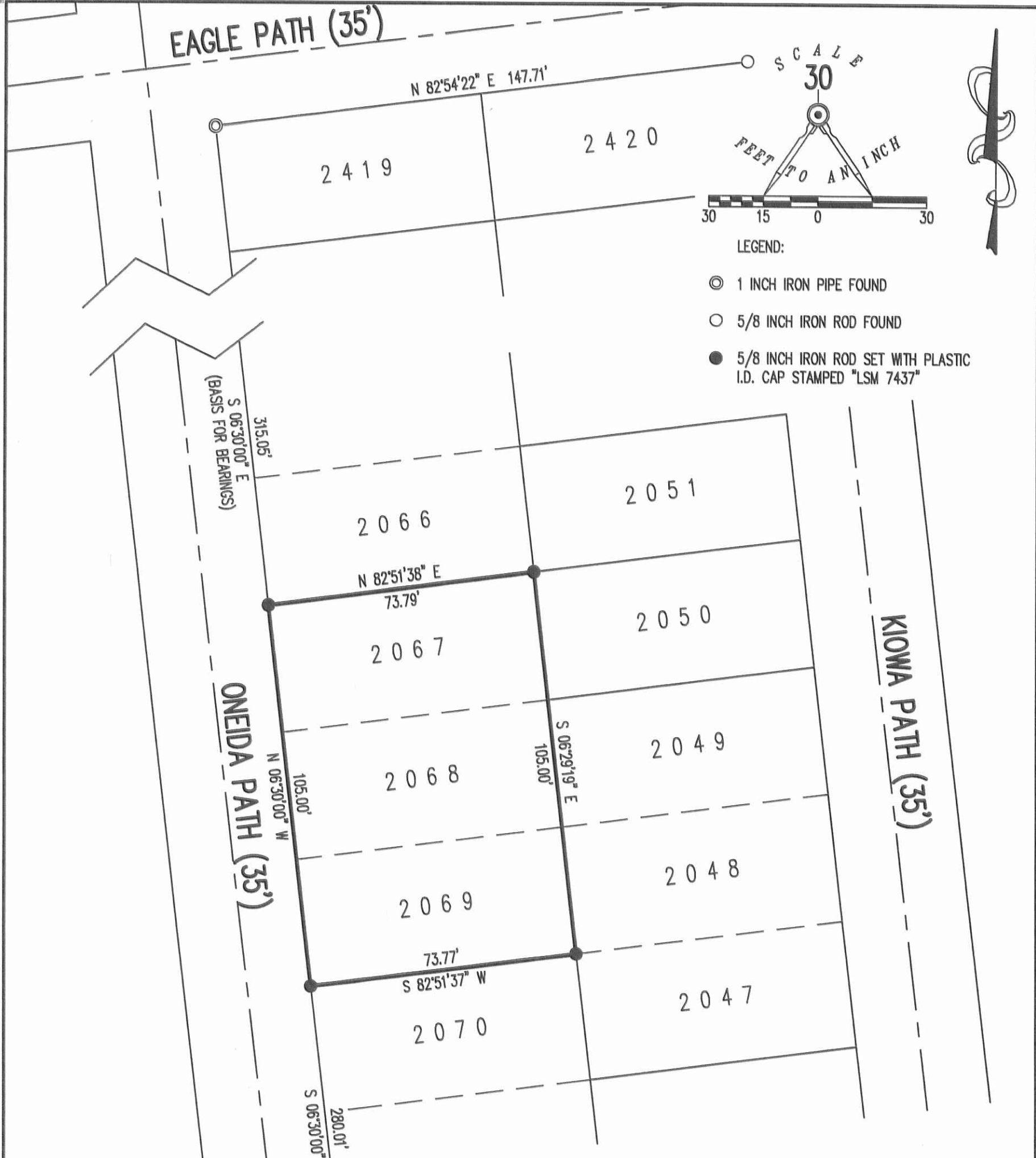
2 WORKING DAYS
BEFORE YOU DIG
 CALL TOLL FREE **800-362-2764**
 OHIO UTILITIES PROTECTION SERVICE.

INDEXED ON MAP
 911Z
 3P



APPROVED

4-22-15



- LEGEND:
- ⊙ 1 INCH IRON PIPE FOUND
 - 5/8 INCH IRON ROD FOUND
 - 5/8 INCH IRON ROD SET WITH PLASTIC I.D. CAP STAMPED "LSM 7437"

RETRACEMENT SURVEY OF THE
 KAREN CAMPBELL, FKA
 KAREN ROOSE
 LOTS 2067, 2068 AND 2069
 CHIPPEWA PARK ALLOTMENT #3
 PLAT CABINET A, SLIDE 235
 OFFICIAL RECORD 1179, PAGE 250
 STOKES TOWNSHIP
 LOGAN COUNTY, OHIO
 SURVEYED BY:

William K. Bruce

WILLIAM K. BRUCE
 PROFESSIONAL SURVEYOR 7437
 JUNE 12, 2015

COPYRIGHT 2015 BY:
LEE SURVEYING & MAPPING CO., INC.
 117 North Madriver Street
 BELLEFONTAINE, OHIO 43311
 (937) 593-7335
 WWW.LSMINC.US
 surveys@lsminc.us
 KSS D0615 59400615 L-5940-3



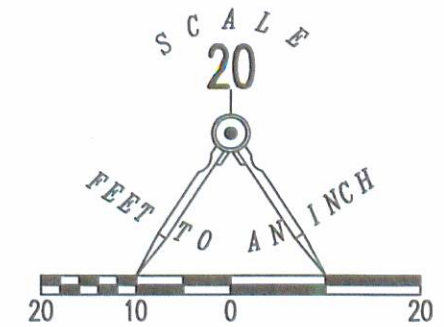
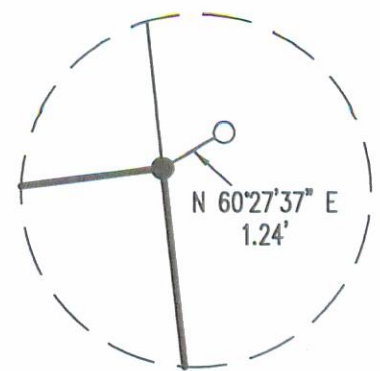
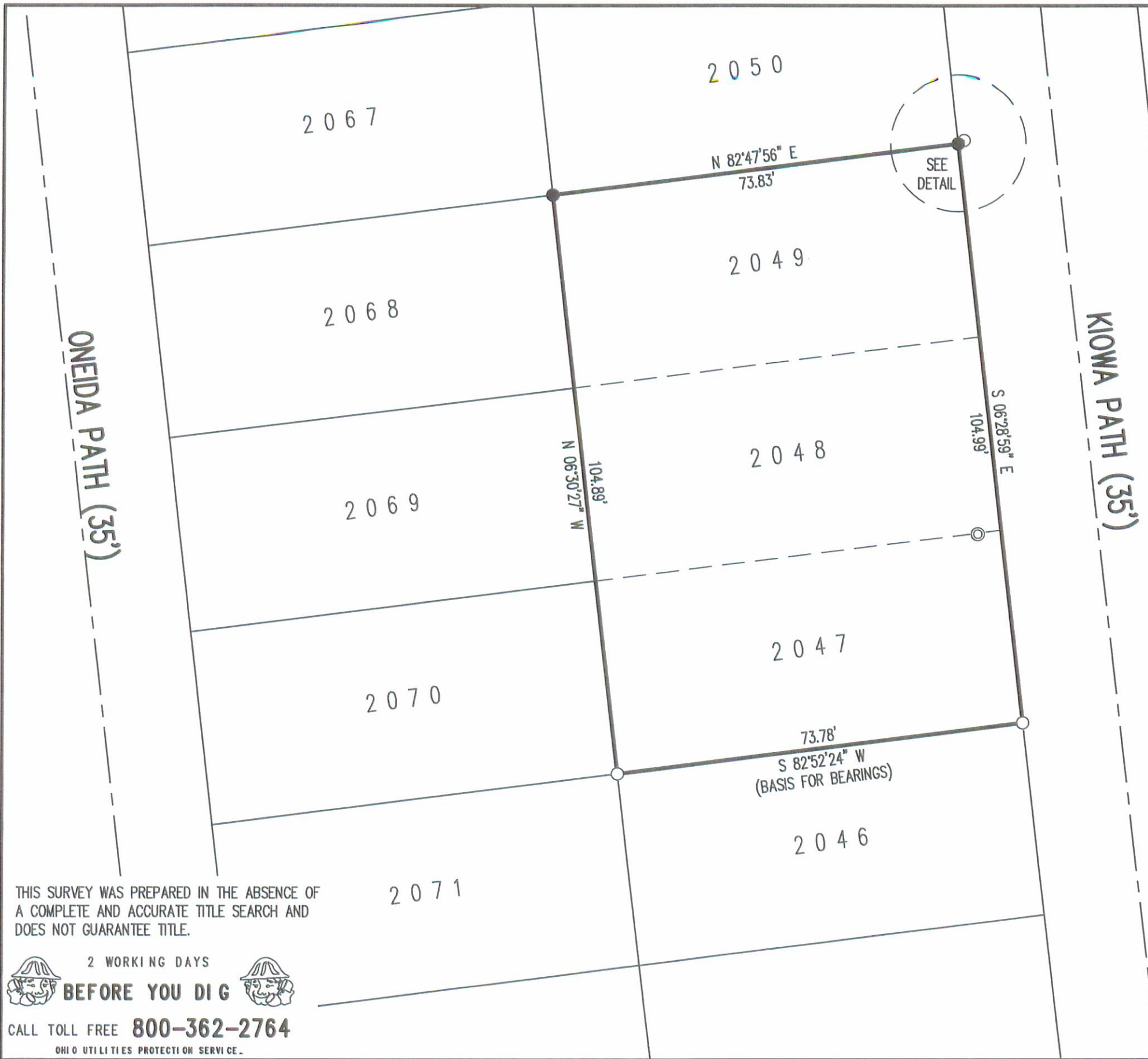
INDEXED ON MAP
 9112 4P

2 WORKING DAYS
BEFORE YOU DIG
 CALL TOLL FREE **800-362-2764**
 OHIO UTILITIES PROTECTION SERVICE



APPROVED

9-23-16



- LEGEND:
- ⊙ 3/4 INCH IRON PIPE FOUND
 - 5/8 INCH IRON ROD FOUND
 - 5/8 INCH IRON ROD SET WITH PLASTIC I.D. CAP STAMPED "LSM 7437"

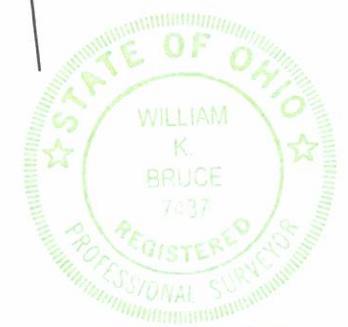
**RETRACEMENT SURVEY OF THE
KAREN PARK AND
BRIAN PARK
LOTS 2047 THROUGH 2049
CHIPPEWA PARK NO. 3
PLAT CABINET A, SLIDE 235
OFFICIAL RECORD 1229, PAGE 712
STOKES TOWNSHIP
LOGAN COUNTY, OHIO**

SURVEYED BY:

William K. Bruce

WILLIAM K. BRUCE
PROFESSIONAL SURVEYOR 7437
SEPTEMBER 15, 2016

COPYRIGHT 2016 BY:
LEE SURVEYING & MAPPING CO., INC.
117 North Madriver Street
BELLEFONTAINE, OHIO 43311
(937) 593-7335
WWW.LSMINC.US
surveys@lsminc.us



KSS D0816 51990816 L-5199-3

THIS SURVEY WAS PREPARED IN THE ABSENCE OF A COMPLETE AND ACCURATE TITLE SEARCH AND DOES NOT GUARANTEE TITLE.

2 WORKING DAYS
BEFORE YOU DIG
CALL TOLL FREE **800-362-2764**
OHIO UTILITIES PROTECTION SERVICE

INDEXED ON MAP
9112 SP