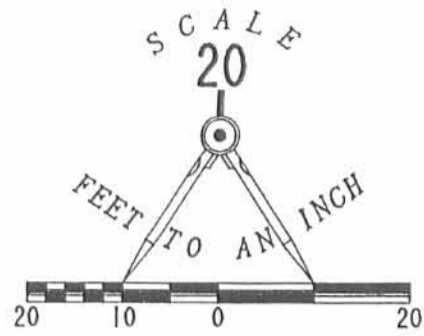


CURVE	DELTA ANGLE	RADIUS	ARC	TANGENT	CHORD	CHORD BEARING
C 1	94° 50' 05"	29.20'	48.33'	31.77'	43.00'	S 76° 32' 54" E
C 2	17° 52' 58"	118.00'	36.83'	18.57'	36.68'	S 24° 23' 58" E



**LEGEND**

- 2" PIPE FOUND
- 5/8" I. ROD FOUND

REFERENCES:  
 LOGAN COUNTY ENGINEER'S RECORDS:  
 FILE J-111  
 R-FILE 7860, 2496, 2317, 7840, 4316, &  
 3178

LOGAN COUNTY RECORDER'S PLAT CABINET A,  
 SLIDE 272

EASEMENT  
 VOL. 240,  
 PG. 59

BASSWOOD AVENUE (25')



LOT 21

2299 SQ. FT.  
 0.053 ACRE

N 12° 52' 00" W  
 59.31'

46.08'  
 S 71° 46' 17" W

LOT 22

INDEXED ON MAP  
 8827

RETRACEMENT SURVEY OF  
 LOT 21  
 REESE ALLOTMENT  
 STOKES TOWNSHIP  
 LOGAN COUNTY, OHIO

SURVEYED BY:

JEFFREY A. LEE  
 PROFESSIONAL SURVEYOR 6359  
 AUGUST 9, 1993



LEE SURVEYING & MAPPING CO.  
 143 East Columbus Avenue  
 BELLEFONTAINE, OHIO 43311  
 (513) 593-7335

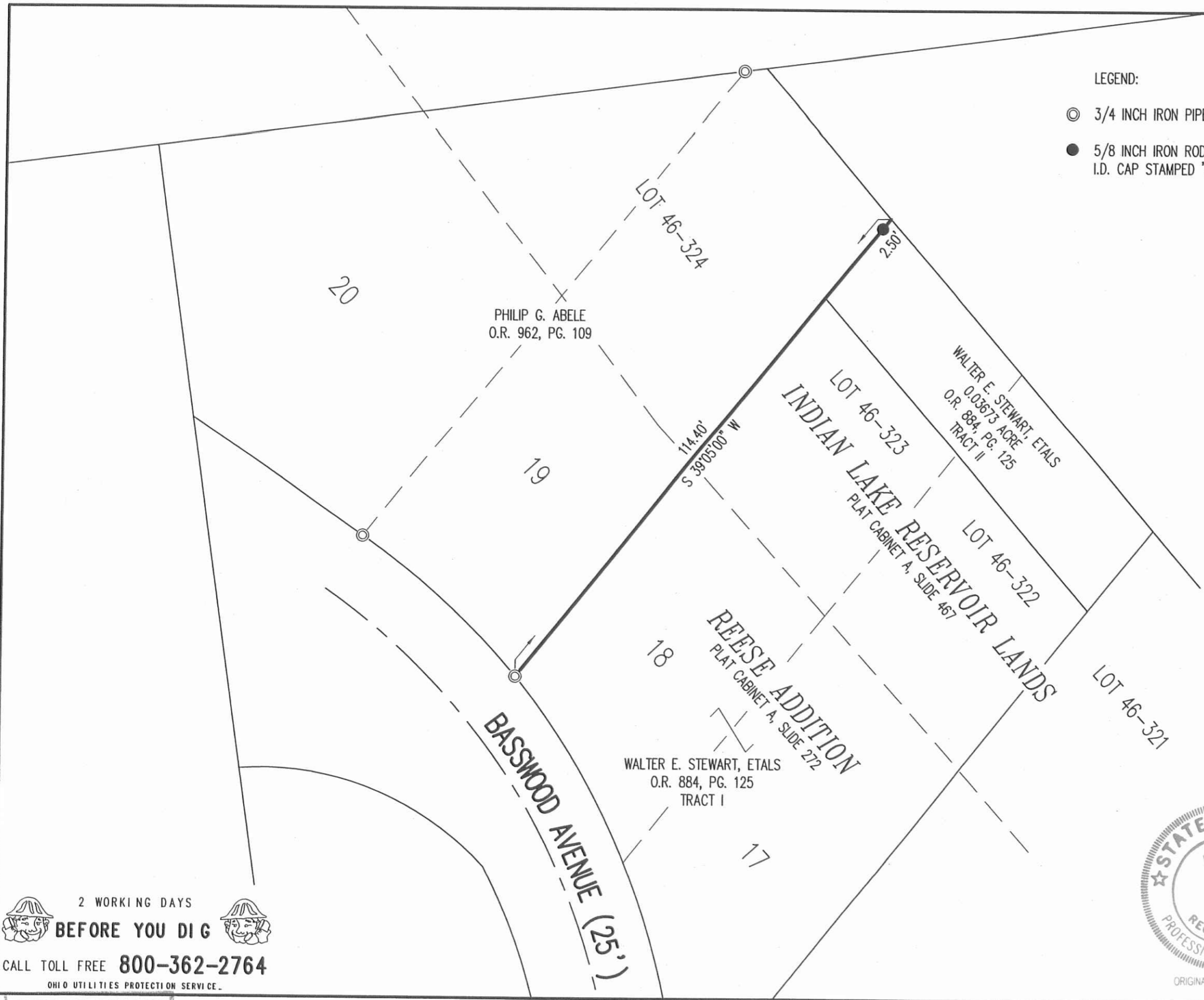
ORIGINAL STAMP IN GREEN

D-222 RBERRY

L 2111-4

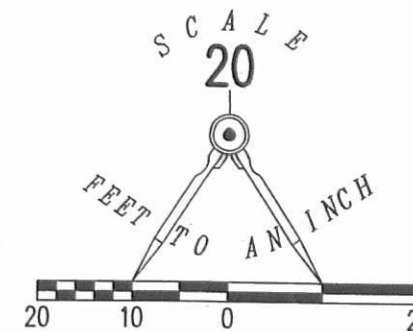
8-20-13

**APPROVED**



LEGEND:

- ⊙ 3/4 INCH IRON PIPE FOUND
- 5/8 INCH IRON ROD SET WITH PLASTIC I.D. CAP STAMPED "LSM 7437"



RETRACEMENT SURVEY OF THE  
 EASTERLY LINE OF THE  
 PHILIP G. ABELE  
 LOT 19  
 REECE ADDITION  
 PLAT CABINET A, SLIDE 272  
 AND LOT 46-324  
 INDIAN LAKE RESERVOIR LANDS  
 PLAT CABINET A, SLIDE 467  
 OFFICIAL RECORD 962, PAGE 109  
 VIRGINIA MILITARY SURVEY 12276  
 STOKES TOWNSHIP  
 LOGAN COUNTY, OHIO

SURVEYED BY:

*William K. Bruce*

WILLIAM K. BRUCE  
 PROFESSIONAL SURVEYOR 7437  
 AUGUST 14, 2013



ORIGINAL STAMP IN GREEN

COPYRIGHT 2013 BY:  
**LEE SURVEYING & MAPPING CO., INC.**  
 117 North Madriver Street  
 BELLEFONTAINE, OHIO 43311  
 (937) 593-7335  
 WWW.LSMINC.US  
 surveys@lsminc.us  
 KSS D0613 55710613 L-5571-3

2 WORKING DAYS  
**BEFORE YOU DIG**  
 CALL TOLL FREE **800-362-2764**  
 OHIO UTILITIES PROTECTION SERVICE

INDEXED ON MAP  
 8827 3P