

Received 2-1-89

OK (C.L.)

**LESLIE H. GEESLIN**  
REGISTERED SURVEYOR NO. 5248  
P. O. BOX 274  
RUSHSVLVANIA, OHIO 43347

TELEPHONE: (513) 468-2793

CHRISTOPHER SURVEY  
January, 1989



*Leslie H. Geeslin*

The following described real estate situated in the State of Ohio, County of Logan, Township of Stokes, being Lot 46-212 on Minnewauken Island in Virginia Military Survey 12276 and more particularly described as follows:

Beginning at a 0.75 inch iron bar found that is by deed south 371.56 feet and east 74.14 feet from a highway right-of-way monument on the west side of State Route 368 which marks the north end of a 40 foot section of right-of-way of Minnewauken Island.

Thence with the south line of Lot 215 N.  $67^{\circ} 09' 10''$  E. 78.57 feet to a 0.75 inch iron bar found, passing a 0.75 inch iron bar found at 10.35 feet.

Thence with the west line of Lot 213 S.  $4^{\circ} 32' 09''$  W. 158.32 feet to a point, passing 0.75 inch iron bars found at 51.04 feet and 61.08 feet and a 0.625 inch iron bar set at 133.91 feet.

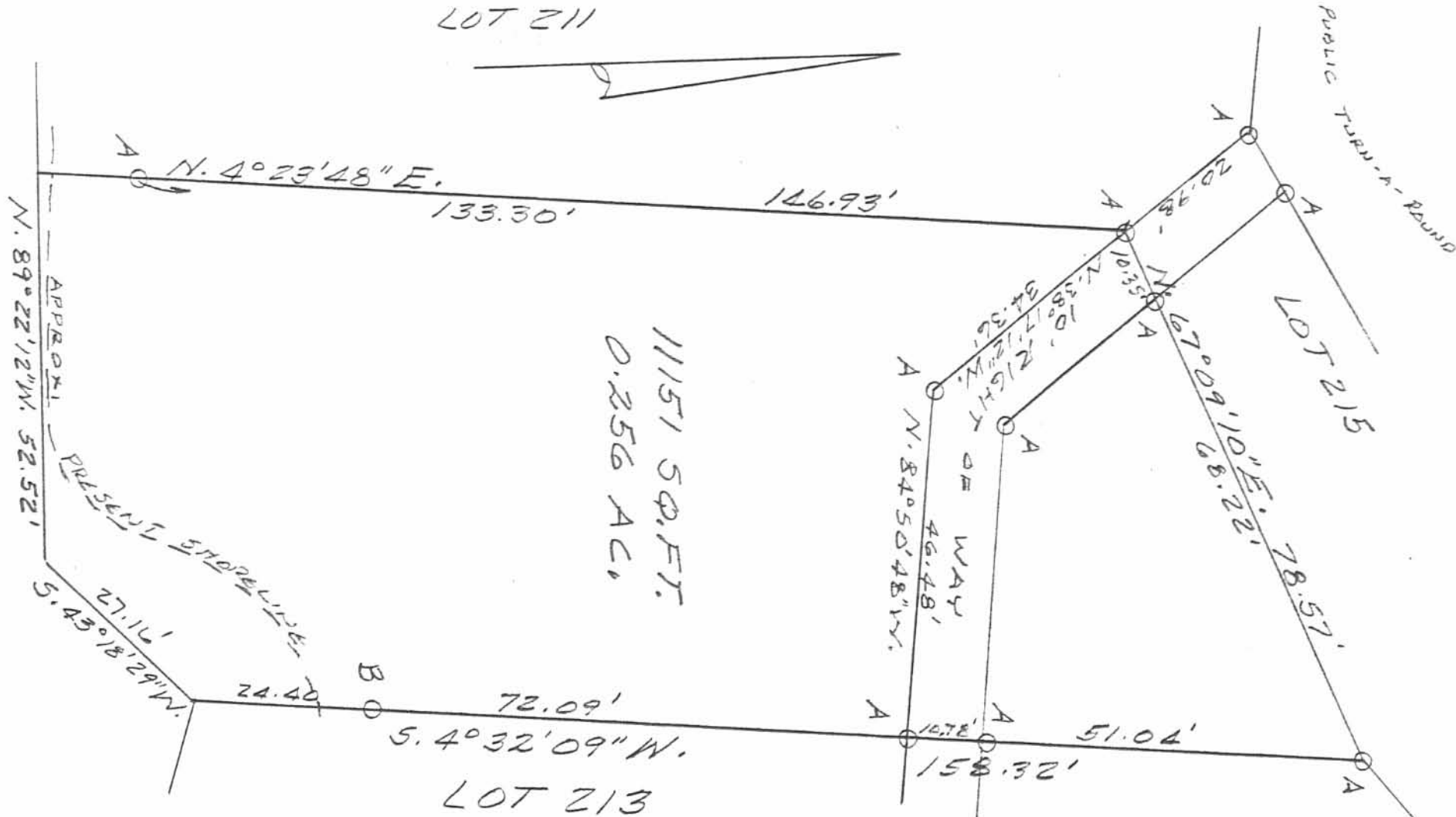
Thence S.  $43^{\circ} 18' 29''$  W. 27.16 feet to a point.

Thence N.  $89^{\circ} 22' 12''$  W. 52.52 feet to a point.

Thence with the east line of Lot 211 N.  $4^{\circ} 23' 48''$  E. (This bearing is assumed and all other bearings are from angles and distances measured in this field survey) 146.93 feet to the place of beginning, passing a 0.75 inch iron bar found at 13.63 feet.

Containing 11151 square feet or 0.256 acre more or less.

INDEXED ON MAP  
7881 1D



1151 SQ. FT.  
0.256 AC.

SURVEY OF LOT 46-212 ON  
MINNEWAUKEN ISLAND, VIRGINIA  
MILITARY SURVEY 12276, STOKES  
TOWNSHIP, LOGAN COUNTY, OHIO  
FOR JOHN CHRISTOPHER,  
JANUARY, 1989  
SCALE: 1"=20'

LEGEND:  
A = 3/4" IRON BAR FD  
B = 5/8" IRON BAR SET

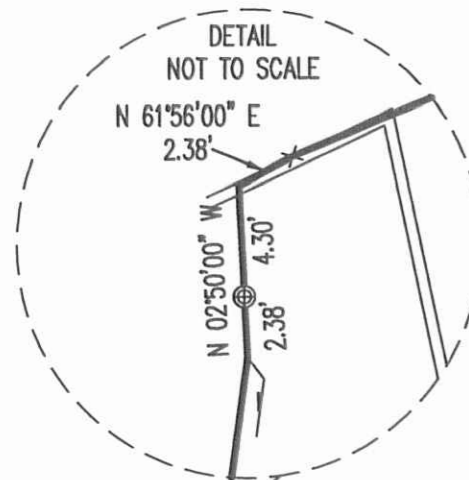
INDEXED ON MAP  
7881 IP



*Leslie H. Geeslin*  
LESLIE H. GEESLIN  
RUSHSVLVANIA, OHIO

4-13-17

APPROVED

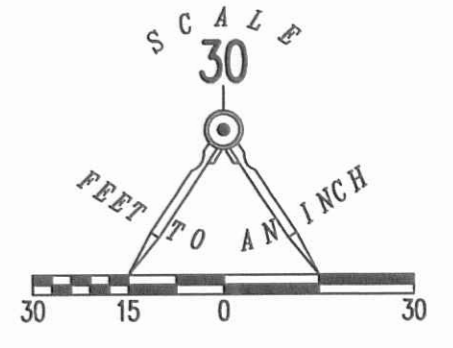


SEE  
DETAIL



LEGEND:

- ⊕ 3/4 INCH IRON ROD FOUND
- ⊙ 5/8 INCH IRON BAR FOUND
- 5/8 INCH IRON ROD FOUND
- 5/8 INCH IRON ROD SET WITH PLASTIC I.D. CAP STAMPED "LSM"



LINE	BEARING	DISTANCE
L1	S 00°00'02" W	12.38'
L2	S 21°24'20" W	8.80'
L3	N 85°48'31" W	14.87'
L4	N 31°07'05" W	11.52'

INDIAN  
LAKE

RETRACEMENT SURVEY OF THE  
 REBECCA ANN BECKSTEDT, TRUSTEE  
 LOT 46-214  
 INDIAN LAKE RESERVOIR LANDS  
 MINNEWAUKEN ISLAND  
 PLAT CABINET A, SLIDE 451  
 OFFICIAL RECORD 1109, PAGE 119  
 VIRGINIA MILITARY SURVEY 12276  
 STOKES TOWNSHIP  
 LOGAN COUNTY, OHIO

10' PRIVATE EASEMENT  
 LOT 46-213

LOT 46-214  
 REBECCA ANN BECKSTEDT, TRUSTEE  
 O.R. 1109, PG. 119

SURVEYED BY:

JEFFREY J. LEE  
 PROFESSIONAL SURVEYOR 6359  
 APRIL 5, 2017



COPYRIGHT 2017 BY:  
 LEE SURVEYING & MAPPING CO., INC.  
 117 North Madriver Street  
 BELLEFONTAINE, OHIO 43311  
 (937) 593-7335  
 WWW.LSMINC.US  
 surveys@lsminc.us

THIS SURVEY WAS PREPARED IN THE ABSENCE OF  
 A COMPLETE AND ACCURATE TITLE SEARCH AND  
 DOES NOT GUARANTEE TITLE.

2 WORKING DAYS  
**BEFORE YOU DIG**  
 CALL TOLL FREE **800-362-2764**  
 OHIO UTILITIES PROTECTION SERVICE

INDIAN LAKE

ORIGINAL STAMP IN GREEN

KSS D0317 62360317 L-6236-3

INDEXED ON MAP  
 7081 2P