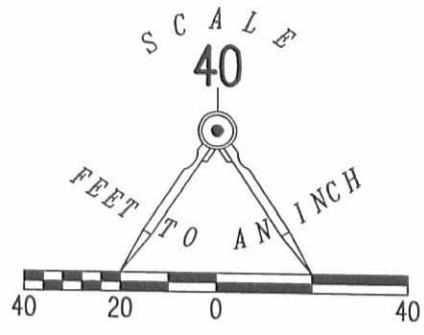


12-13-12

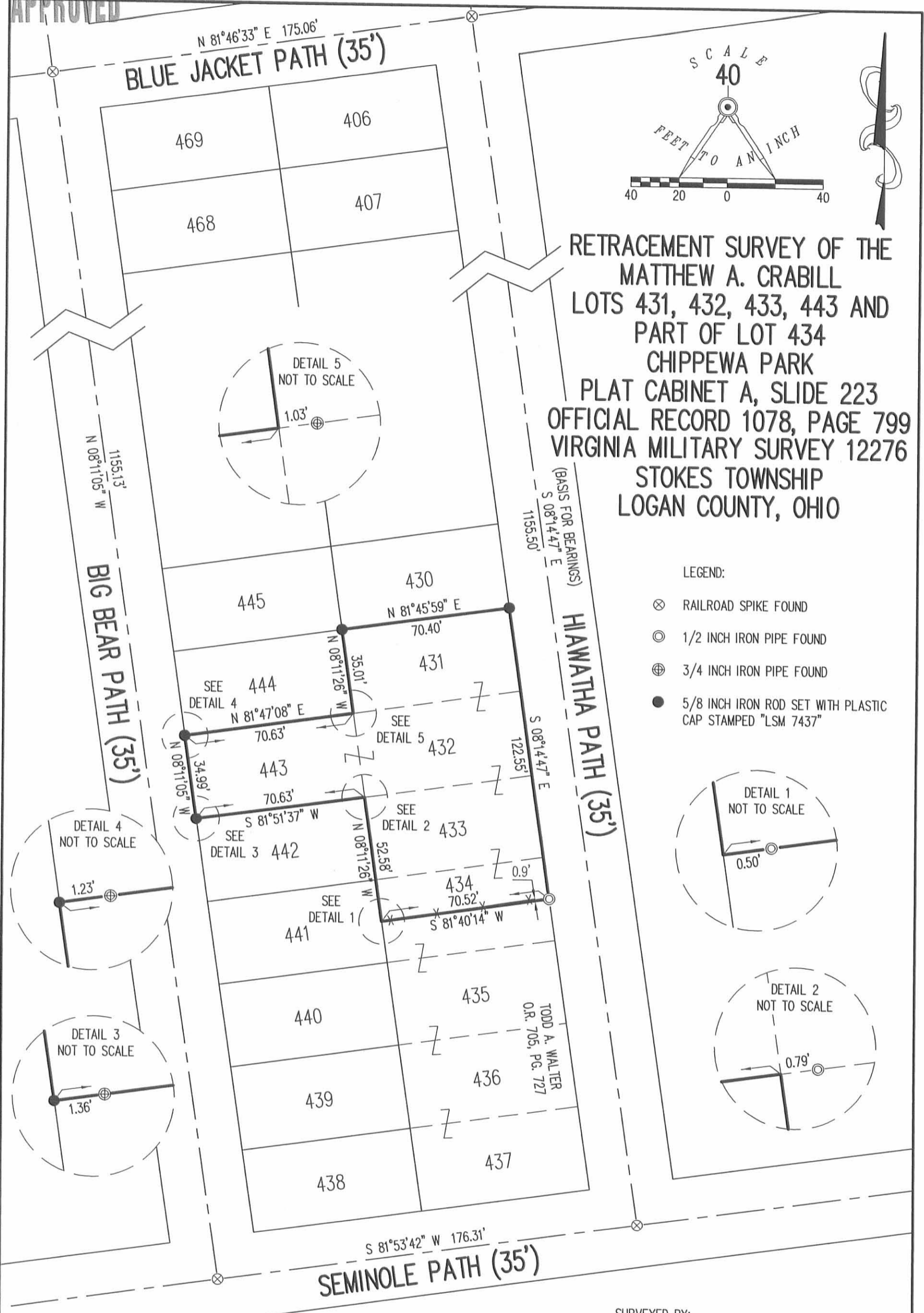
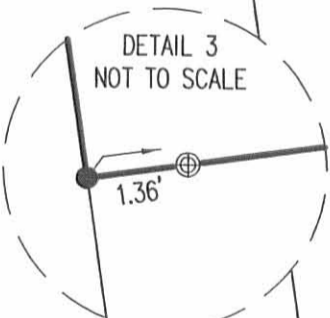
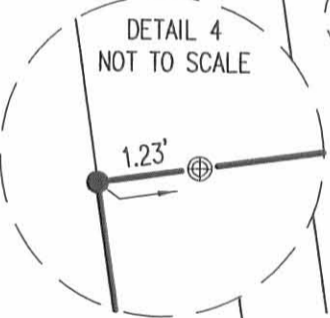
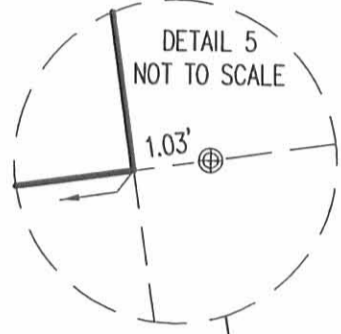
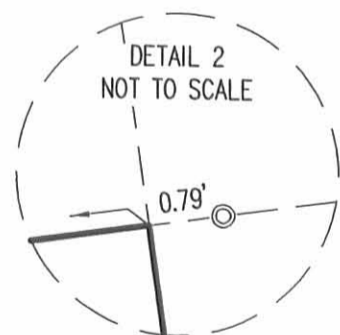
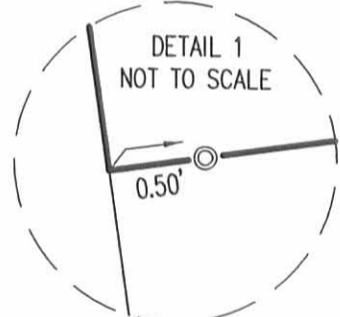
APPROVED



RETRACEMENT SURVEY OF THE
MATTHEW A. CRABILL
LOTS 431, 432, 433, 443 AND
PART OF LOT 434
CHIPPEWA PARK
PLAT CABINET A, SLIDE 223
OFFICIAL RECORD 1078, PAGE 799
VIRGINIA MILITARY SURVEY 12276
STOKES TOWNSHIP
LOGAN COUNTY, OHIO

LEGEND:

- ⊗ RAILROAD SPIKE FOUND
- ⊙ 1/2 INCH IRON PIPE FOUND
- ⊕ 3/4 INCH IRON PIPE FOUND
- 5/8 INCH IRON ROD SET WITH PLASTIC CAP STAMPED "LSM 7437"



SURVEYED BY:

William K. Bruce

WILLIAM K. BRUCE
PROFESSIONAL SURVEYOR 7437
DECEMBER 10, 2012

COPYRIGHT 2012 BY:
LEE SURVEYING & MAPPING CO., INC.
117 North Madriver Street
BELLEFONTAINE, OHIO 43311
(937) 593-7335
WWW.LSMINC.US
surveys@lsminc.us



INDEXED ON MAP
6468 1P

ORIGINAL STAMP IN GREEN

2 WORKING DAYS
BEFORE YOU DIG
CALL TOLL FREE **800-362-2764**
OHIO UTILITIES PROTECTION SERVICE.

KSS D1112 54461112 L-5446-3