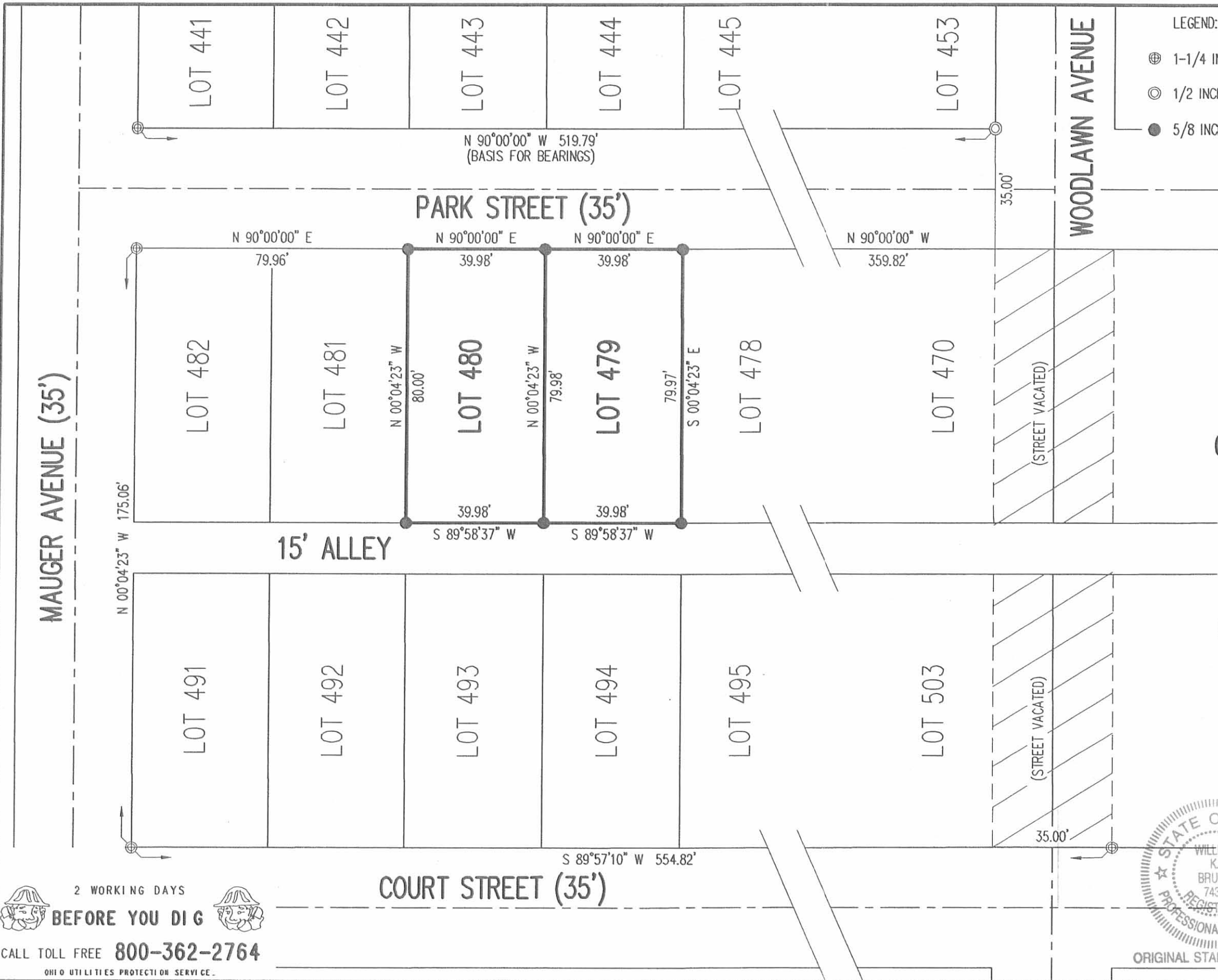


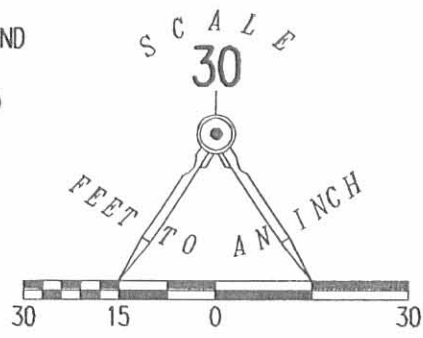
W. ——— E.
 2413 IP
 INDEXED ON MAP

Kelly & Lewis
 Lots 475-476
 Orchard Island
 June 16-1945
 Grover Wilgus
 F.F. Wright

REC'D 8-20-07 SMY QIL



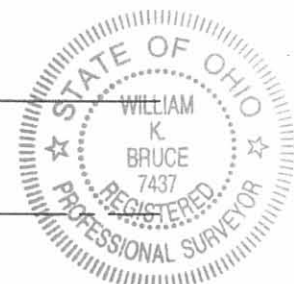
- LEGEND:
- ⊕ 1-1/4 INCH IRON BAR FOUND
 - ⊙ 1/2 INCH IRON ROD FOUND
 - 5/8 INCH IRON ROD SET



RETRACEMENT SURVEY OF THE
 SYLVIA WICKER REID, TRUSTEE
 LOT 479
 ORCHARD ISLAND
 PLAT CABINET A , SLIDE 219
 OFFICIAL RECORD 407, PAGE 530
 PARCEL II
 AND THE JOY J. TAVENNER
 LOT 480
 ORCHARD ISLAND
 PLAT CABINET A , SLIDE 219
 OFFICIAL RECORD 419, PAGE 251
 WASHINGTON TOWNSHIP
 LOGAN COUNTY, OHIO

SURVEYED BY:

William K. Bruce
 WILLIAM K. BRUCE
 PROFESSIONAL SURVEYOR 7437
 AUGUST 16, 2007



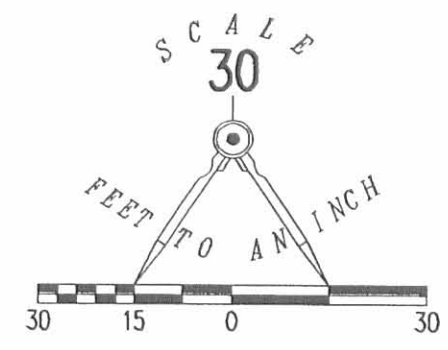
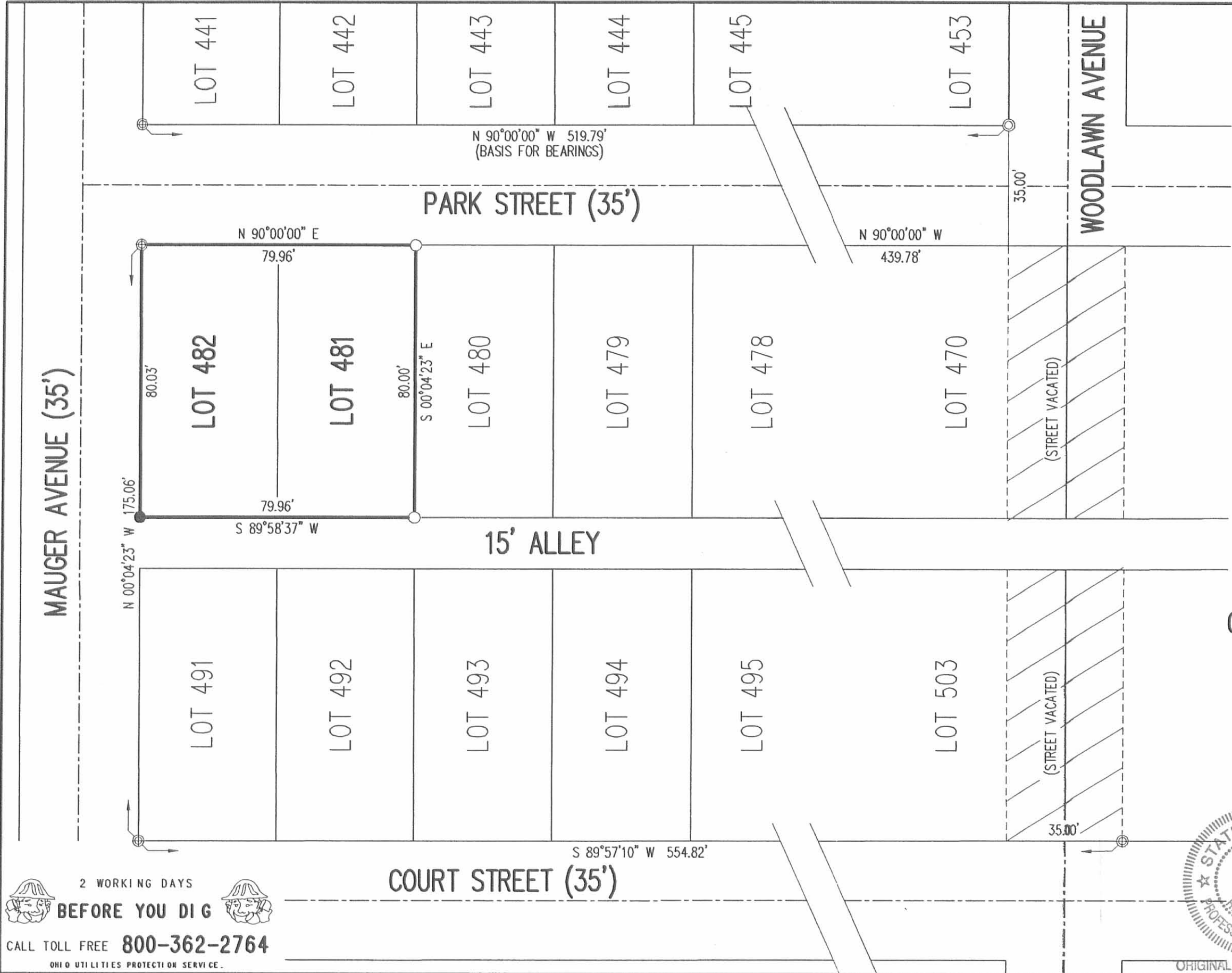
ORIGINAL STAMP IN GREEN

COPYRIGHT 2007 BY:
 LEE SURVEYING & MAPPING CO., INC.
 117 North Madriver Street
 BELLEFONTAINE, OHIO 43311
 (937) 593-7335
 surveys@lsminc.us
 KSS D0807 4501087 L-4501-3

2 WORKING DAYS
BEFORE YOU DIG
 CALL TOLL FREE **800-362-2764**
 OHIO UTILITIES PROTECTION SERVICE.

INDEXED ON MAP
 2413 2P

PAID 8-28-09 SMY OK

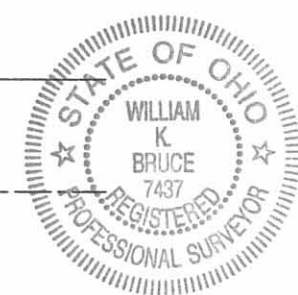


- LEGEND:
- ⊕ 1-1/4 INCH IRON BAR FOUND
 - ⊙ 1/2 INCH IRON ROD FOUND
 - 5/8 INCH IRON ROD FOUND
 - 5/8 INCH IRON ROD SET

RETRACEMENT SURVEY OF THE
 JEROME EUGENE BROCKMAN
 LOT 481 AND LOT 482
 ORCHARD ISLAND
 PLAT CABINET A , SLIDE 219
 OFFICIAL RECORD 821, PAGE 167
 WASHINGTON TOWNSHIP
 LOGAN COUNTY, OHIO

SURVEYED BY:

William K. Bruce
 WILLIAM K. BRUCE
 PROFESSIONAL SURVEYOR 7437
 AUGUST 21, 2009



COPYRIGHT 2009 BY:
LEE SURVEYING & MAPPING CO., INC.
 117 North Madriver Street
 BELLEFONTAINE, OHIO 43311
 (937) 593-7335
 surveys@lsminc.us
 D0809 4501089 L-4501-3

INDEXED ON MAP
 2413 3P

2 WORKING DAYS
BEFORE YOU DIG
 CALL TOLL FREE **800-362-2764**
 OHIO UTILITIES PROTECTION SERVICE.

ORIGINAL STAMP IN GREEN KSS