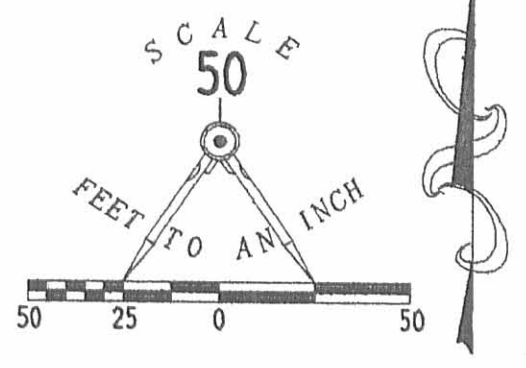


REFERENCES:

PLAT CABINET A, SLIDE 134
ADDITION TO SPRING GROVE
ALLOTMENT

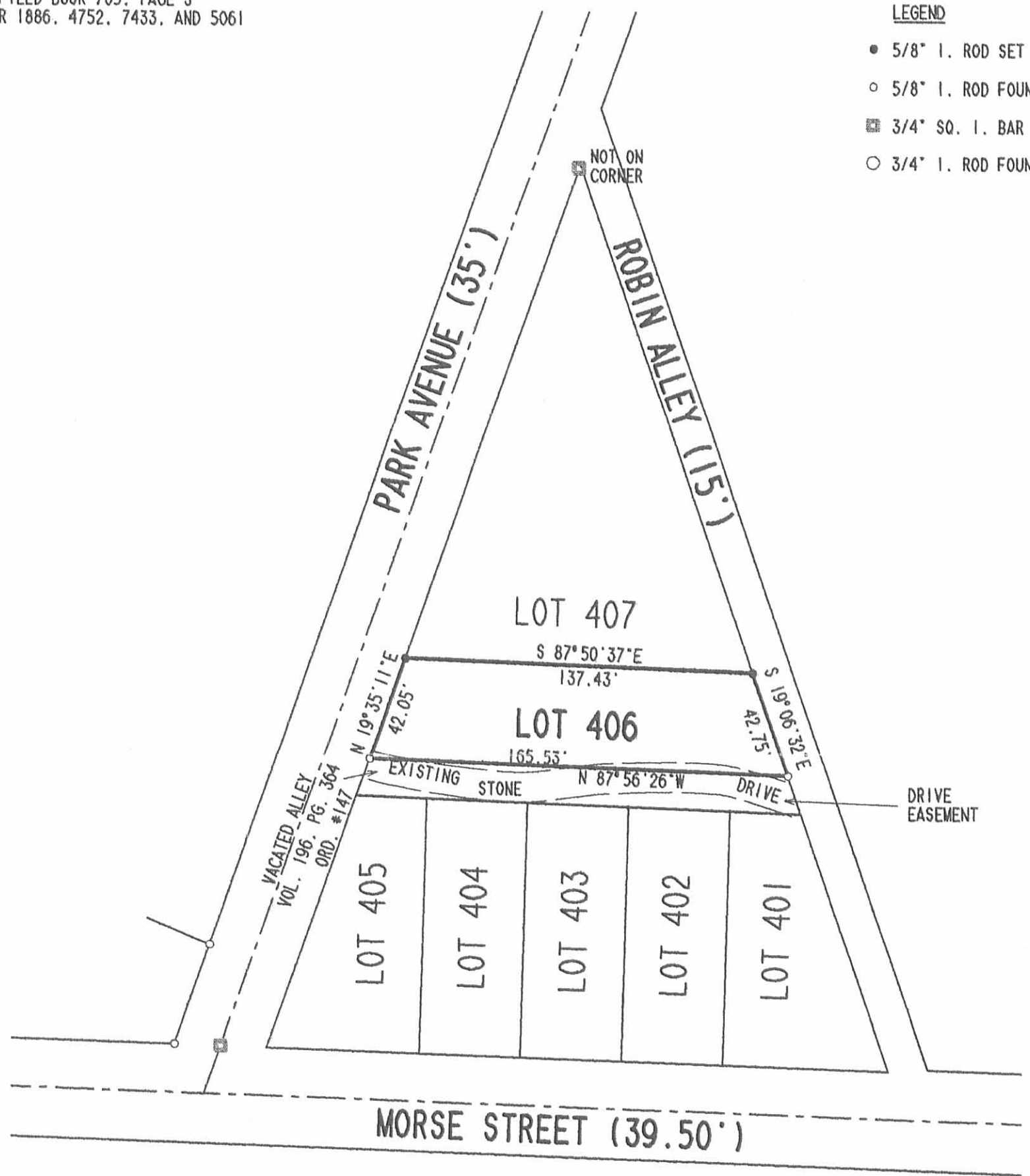
LEE SURVEYING FILE L-2138

LOGAN COUNTY ENGINEER'S RECORDS:
FIELD BOOK 709, PAGES 8 & 9
FIELD BOOK 705, PAGE 3
R 1886, 4752, 7433, AND 5061



LEGEND

- 5/8" I. ROD SET
- 5/8" I. ROD FOUND
- 3/4" SQ. I. BAR FOUND
- 3/4" I. ROD FOUND



**RETRACEMENT SURVEY OF
LOT NUMBER 406
ADDITION TO SPRING GROVE ALLOTMENT
PLAT CABINET A, SLIDE 134
VILLAGE OF RUSSELLS POINT
WASHINGTON TOWNSHIP
LOGAN COUNTY, OHIO**



SURVEYED BY:
[Signature]
JEFFREY I. LEE
PROFESSIONAL SURVEYOR 6359
JULY 20, 2004

COPYRIGHT 2004 BY:
LEE SURVEYING & MAPPING CO., INC.
117 North Madriver Street
BELLEFONTAINE, OHIO 43311
(937) 593-7335

2 WORKING DAYS
BEFORE YOU DIG
CALL TOLL FREE **800-362-2764**
OHIO UTILITIES PROTECTION SERVICE.

INDEXED ON MAP
0927 IP

RECEIVED 7-13-94 smy ok

LEGEND

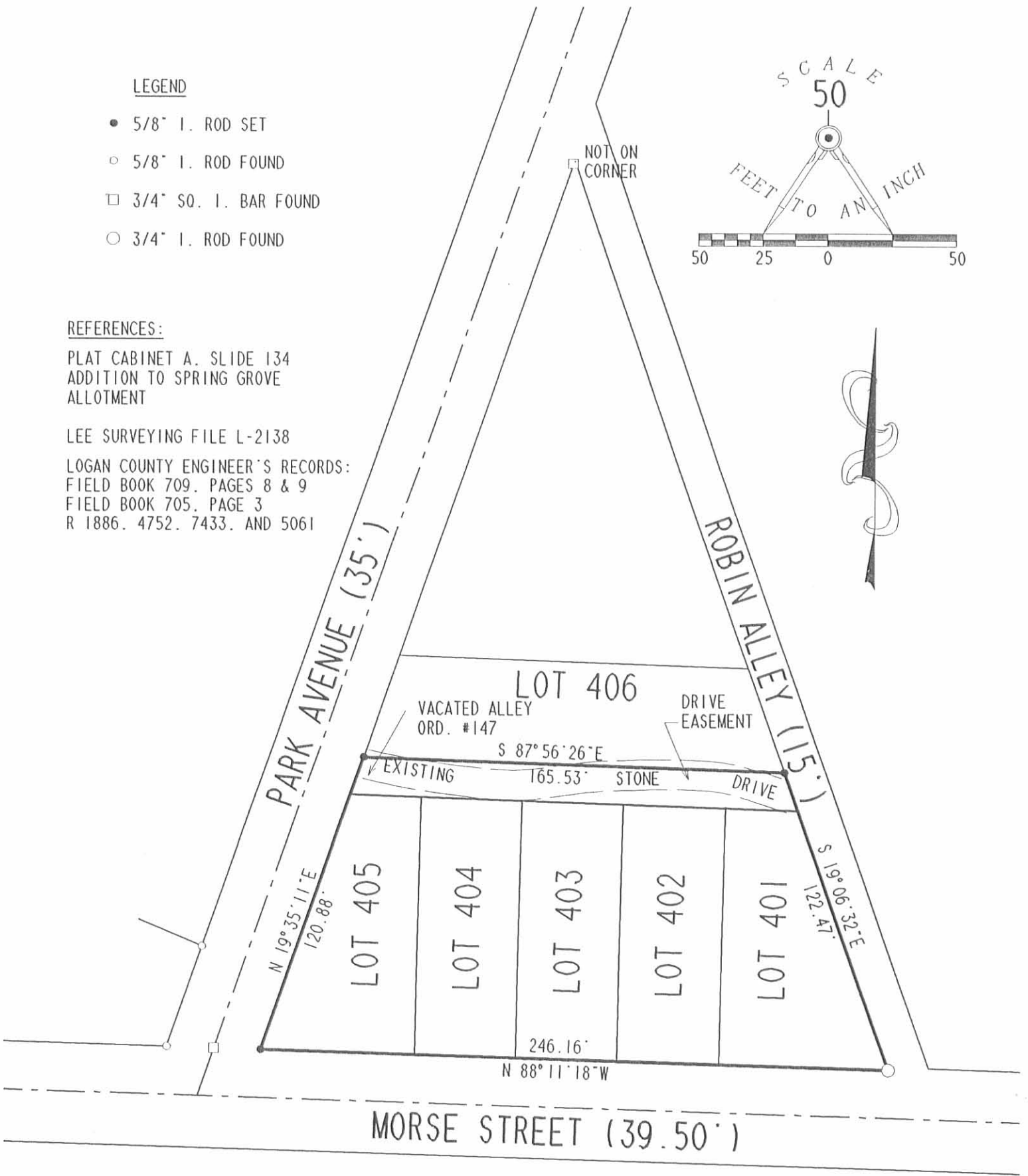
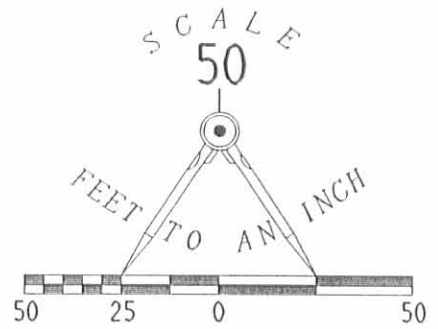
- 5/8" I. ROD SET
- 5/8" I. ROD FOUND
- 3/4" SQ. I. BAR FOUND
- 3/4" I. ROD FOUND

REFERENCES:

PLAT CABINET A. SLIDE 134
ADDITION TO SPRING GROVE
ALLOTMENT

LEE SURVEYING FILE L-2138

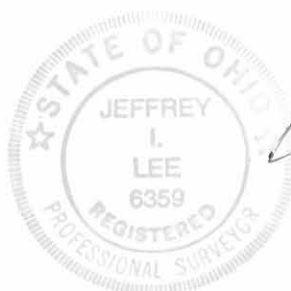
LOGAN COUNTY ENGINEER'S RECORDS:
FIELD BOOK 709. PAGES 8 & 9
FIELD BOOK 705. PAGE 3
R 1886. 4752. 7433. AND 5061



RETRACEMENT SURVEY OF
 LOTS 401, 402, 403, 404, AND 405
 AND ALL OF A VACATED 16 FEET WIDE ALLEY
 ADDITION TO SPRING GROVE ALLOTMENT
 SECTION 36, TOWN 6, RANGE 8
 VILLAGE OF RUSSELLS POINT
 WASHINGTON TOWNSHIP
 LOGAN COUNTY, OHIO

INDEXED ON MAP
 3927 2P

SURVEYED BY:



JEFFREY I. LEE
 PROFESSIONAL SURVEYOR 6359
 JULY 5, 1994

LEE SURVEYING & MAPPING CO.
 143 East Columbus Avenue
 BELLEFONTAINE, OHIO 43311
 (513) 593-7335

2 WORKING DAYS
BEFORE YOU DIG
 CALL TOLL FREE **800-362-2764**
 OHIO UTILITIES PROTECTION SERVICE.

ORIGINAL STAMP IN GREEN

D 241 NPURK

L 2205-4