

8-28-15

Lee Surveying and Mapping Co., Inc.



Land Surveys • Topography • Subdivisions • Construction Layout

117 N. Madriver St.
Bellefontaine OH 43311



Phone: (937) 593-7335
Fax: (937) 593-7444
surveys@lsminc.us

HERTENSTEIN 45.660 ACRE

Lying in Virginia Military Survey 3326, Rushcreek Township, Logan County, Ohio.

Being all of the Mary M. Hertenstein 40 acre tract as deeded and described in Official Record 32, Page 896 Parcel Three in the Logan County Records of Deeds and being more particularly described as follows:

Commencing at a 5/8 inch iron rod found at Station 1114+67.3 per Logan County Engineer's File L-49 and the intersection of center-lines of Ohio Route 47 (90 feet wide) and Township Road 126 (40 feet wide) and the northeast corner of Virginia Military Survey 3326.

THENCE, with the center-line of Township Road 126 and the east line of Virginia Military Survey 3326, S 05°-29'-53"E, a distance of 1037.40 feet to a MAG nail set.

THENCE, with the north line of the Black Hoof, LLC 1.017 acre tract (O.R. 757, Pg. 53) and the north line of the Black Hoof, LLC 150.854 acre tract (O.R. 575, Pg. 232), S 85°-07'-24"W, a distance of 1227.96 feet to a 5/8 inch iron rod found, passing a 5/8 inch iron rod set at 20.00 feet.

THENCE, with the lines of the said 150.854 acre tract the following two courses:

N 07°-16'-06"W, a distance of 316.97 feet to a stone found.

S 84°-46'-23"W, a distance of 982.58 feet to a 10 inch square wood post found.

THENCE, with a east line of the said 150.854 acre tract and the east line of the Black Hoof, LLC 5.384 acre tract (O.R. 575, Pg. 232, Tract L), N 05°-40'-01"W, a distance of 721.94 feet to a railroad spike found, passing a 5/8 inch iron rod found at 676.98 feet.

THENCE, with the center-line of Ohio Route 47 and the north line of Virginia Military Survey 3326, N 85°-00'-00"E, a distance of 2222.46 feet to the point of beginning.

Containing 45.660 acres of which 2.965 acres are within the highway rights-of-way.

Property is subject to any and all previous easements and rights-of-way of record.

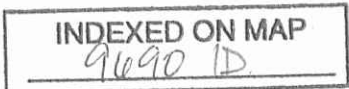
The basis for bearings is the center-line of Ohio Route 47, being N 85°-00'-00"E, and all other bearings are from angles and distances measured in a field survey by Lee Surveying and Mapping Co., Inc. on August 24, 2015.

Description prepared by:

William K. Bruce
Professional Surveyor 7437
August 24, 2015



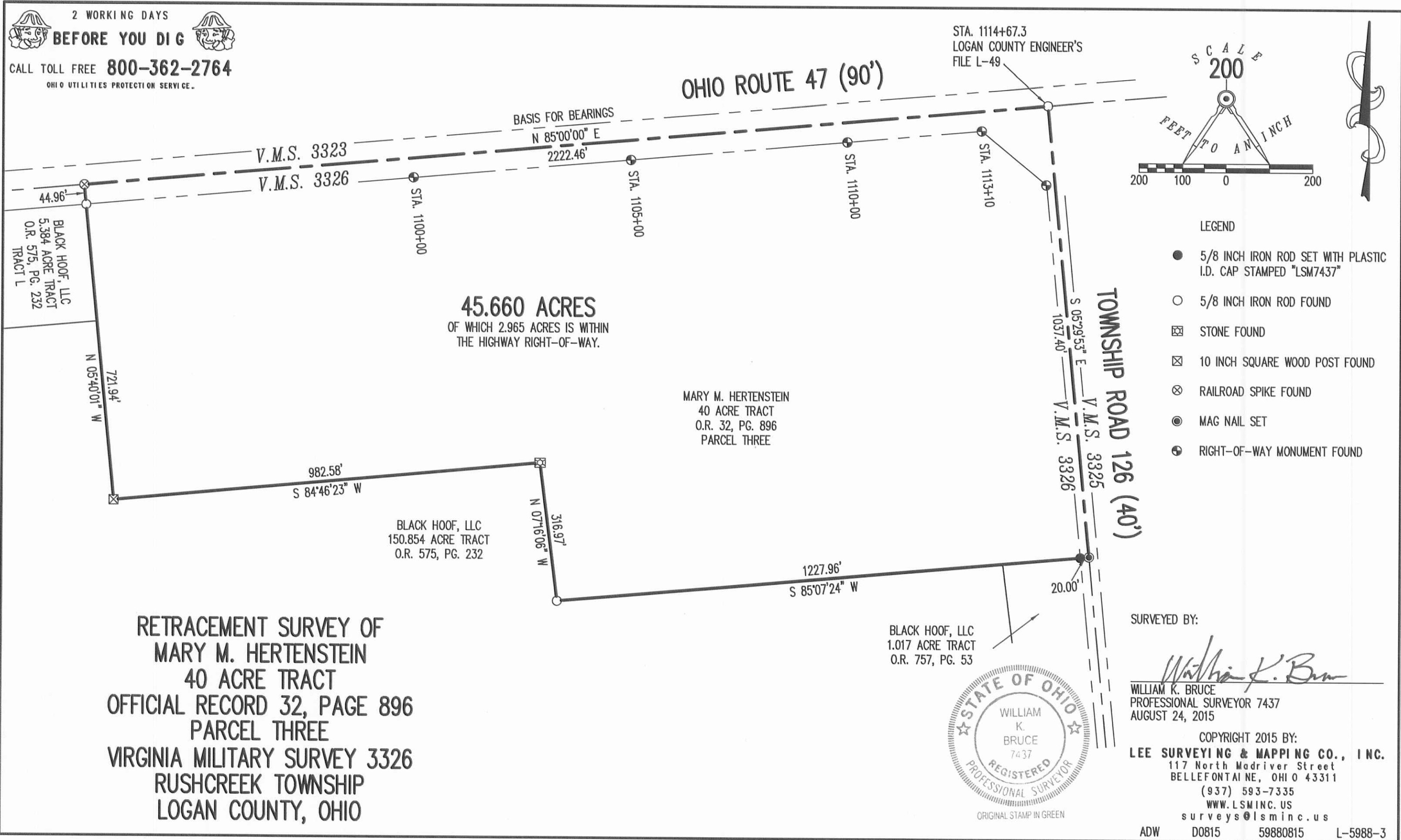
L-59880815



8-28-15

APPROVED

2 WORKING DAYS
BEFORE YOU DIG
CALL TOLL FREE **800-362-2764**
OHIO UTILITIES PROTECTION SERVICE.



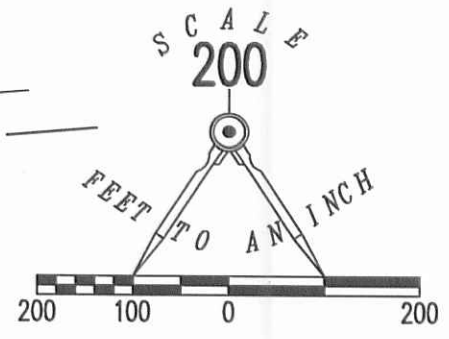
45.660 ACRES
OF WHICH 2.965 ACRES IS WITHIN
THE HIGHWAY RIGHT-OF-WAY.

MARY M. HERTENSTEIN
40 ACRE TRACT
O.R. 32, PG. 896
PARCEL THREE

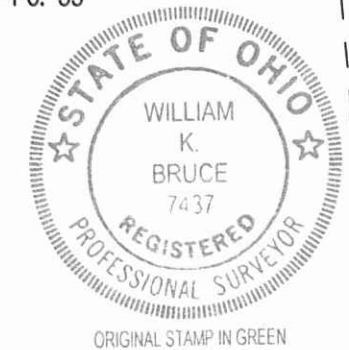
BLACK HOOF, LLC
150.854 ACRE TRACT
O.R. 575, PG. 232

BLACK HOOF, LLC
1.017 ACRE TRACT
O.R. 757, PG. 53

**RETRACEMENT SURVEY OF
MARY M. HERTENSTEIN
40 ACRE TRACT
OFFICIAL RECORD 32, PAGE 896
PARCEL THREE
VIRGINIA MILITARY SURVEY 3326
RUSHCREEK TOWNSHIP
LOGAN COUNTY, OHIO**



- LEGEND**
- 5/8 INCH IRON ROD SET WITH PLASTIC I.D. CAP STAMPED "LSM7437"
 - 5/8 INCH IRON ROD FOUND
 - ⊠ STONE FOUND
 - ⊠ 10 INCH SQUARE WOOD POST FOUND
 - ⊗ RAILROAD SPIKE FOUND
 - ⊙ MAG NAIL SET
 - ⊕ RIGHT-OF-WAY MONUMENT FOUND



SURVEYED BY:
William K. Bruce
WILLIAM K. BRUCE
PROFESSIONAL SURVEYOR 7437
AUGUST 24, 2015

COPYRIGHT 2015 BY:
LEE SURVEYING & MAPPING CO., INC.
117 North Madriver Street
BELLEFONTAINE, OHIO 43311
(937) 593-7335
WWW.LSMINC.US
surveys@lsminc.us
ADW D0815 59880815 L-5988-3

INDEXED ON MAP
9690 IP