



Received 3-13-87 OK (e.r)

LESLIE H. GEESLIN
REGISTERED SURVEYOR NO. 5248
P. O. BOX 274
RUSHSVLVANIA, OHIO 43347

TELEPHONE: (513) 468-2793

McDonald Survey

March 9, 1987

Leslie H. Geeslin
LESLIE H. GEESLIN
RUSHSVLVANIA, OHIO

The following described real estate situated in the State of Ohio, County of Logan, Township of Rushcreek, being part of Virginia Military Survey 9907 and more particularly described as follows:

Beginning at a boat spike in the center of County Highway No. 25 and at the northwest corner of Robert S. McDonald's 5.00 acre tract as described in D.B.Vol. 371 Pg. 144.

Thence with the center line of County Highway No. 25 N. $8^{\circ} 16'$ W. (this bearing was taken from D.B. Vol. 371 Pg. 144, all other bearings are from angles and distances measured in this field survey) 308.50 feet to a railroad spike.

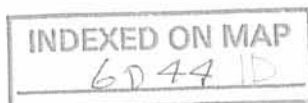
Thence N. $83^{\circ} 04'$ E. 706.18 feet to a 0.625 inch iron bar, passing a 0.625 inch iron bar at 25.00 feet.

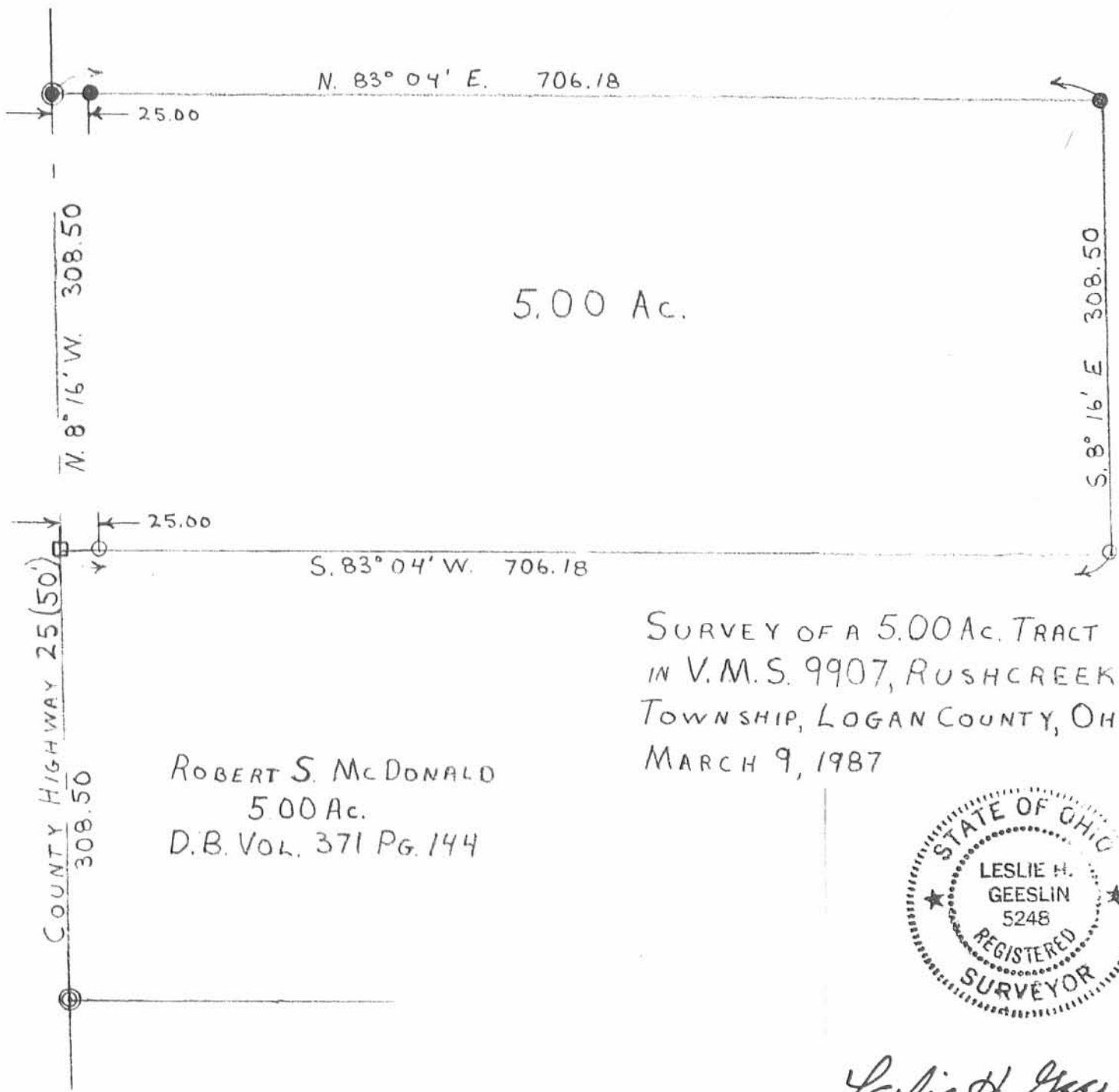
Thence S. $8^{\circ} 16'$ E. 308.50 feet to a 0.375 inch iron bar at the northeast corner of said McDonald's 5.00 acre tract.

Thence with said McDonald's north line S. $83^{\circ} 04'$ W. 706.18 feet to the place of beginning, passing a 0.375 inch iron bar at 681.18 feet.

Containing 5.00 acres more or less.

The above described 5.00 acre tract is on the west side of Marion O. McDonald's 122.00 acre tract described in D.B. Vol. 370 Pg. 428.





5.00 Ac.

- LEGEND:
- ⊙ = R/R SPIKE FD.
 - = BOAT SPIKE FD.
 - = 3/8" IRON BAR FD.
 - ⊙ = R/R SPIKE SET
 - = 5/8" IRON BAR SET
- SCALE: 1" = 100'

SURVEY OF A 5.00 AC. TRACT
 IN V.M.S. 9907, RUSHCREEK
 TOWNSHIP, LOGAN COUNTY, OHIO.
 MARCH 9, 1987

ROBERT S. McDONALD
 5.00 Ac.
 D.B. VOL. 371 PG. 144



INDEXED ON MAP
 6044 IP

Leslie H. Geeslin
 LESLIE H. GEESLIN
 RUSHSYLVANIA, OHIO

Lee Surveying and Mapping Co.



Farm Surveys • Lot Surveys • Descriptions • Subdivisions

855 EAST SANDUSKY AVENUE
BELLEFONTAINE, OHIO 43311

CLAYTON M. LEE, P. S.
(513) 593-5780

ROBERT McDONALD SURVEY

Lying in V.M.S. 9907, Rushcreek Township, Logan County, Ohio and being out of that 122 acre tract deeded and described in Volume 370, Page 428 of the Logan County Records of Deeds and more particularly described as follows:

Beginning at an iron rod found in the center-line of County Highway No. 25. This point marking the northwest corner of that 5 acre tract deeded and described in Volume 264, Page 583.

THENCE, with the center-line of County Highway 25, N 8°-16' W, a distance of 308.50 feet to an iron spike set for the northwest corner of this survey.

THENCE, N 83°-04' E, a distance of 706.18 feet to an iron rod set for the northeast corner. Passing an iron rod at 25.00 feet.

THENCE, S 8°-16' E, a distance of 308.50 feet to an iron rod set in the north line of the aforementioned 5 acres and being westerly 45.07 feet from the northeast corner of said 5 acres.

THENCE, with the north line of said 5 acres, S 83°-04' W, a distance of 706.18 feet to the point of beginning. Passing an iron pipe at 681.18 feet. Containing 5.00 acres.

Last previous deed reference: Volume 370, Page 428.

Surveyed by

Clayton M. Lee
Clayton M. Lee
Reg. Surveyor No. 6181
5-31-77



6044 2D

INDEXED ON MAP

M. O. McDONALD
122 AC.
(Vol. 370, Pg. 428)

Iron Spike
Iron Rod
C. H. No. 25
N 8°-16' W 308.50'
Iron Rod (fnd)

25.0'

N 83°-04' E
706.18'

Iron Rod
S 8°-16' E
308.50'

S 83°-04' W
706.18'

45.07'

Iron Pipe (fnd)

H. SNAPP
5.00 AC.
(Vol. 264, Pg. 583)

6044 2P

INDEXED ON MAP



SCALE - 1" = 100'

SURVEY OF 5.00 ACRES
OUT OF
MARION McDONALD'S
122 ACRE TRACT
(Vol. 370, Pg. 428)
PART OF V.M.S. 9907
RUSHCREEK TWP.
LOGAN CO., OHIO



SURVEYED BY:
Clayton M. Lee
Clayton M. Lee
Reg. Surveyor 6181
4-31-77

Lee Surveying & Mapping Co.
855 E. Sandusky Ave.
BELLEFONTAINE, OHIO 43311
(513) 593-5780

8-13-13

Lee Surveying and Mapping Co., Inc.



Land Surveys • Topography • Subdivisions • Construction Layout

117 N. Madriver St.
Bellefontaine OH 43311



Phone: (937) 593-7335
Fax: (937) 593-7444
surveys@lsminc.us

McDONALD 142.659 ACRES

Lying in Virginia Military Surveys 9907 & 9908, Rushcreek Township, Logan County, Ohio.

Being all of the Leslie H. McDonald, Trustee, 107.00 acre tract and 30 acre tract as deeded and described in Official Record 546, Page 442, Tract I and Tract II of the Logan County Records of Deeds and being more particularly described as follows:

Commencing on a 3/4 inch square head bolt found on the center-line of County Highway 25 at P.I. Station 374+97.56 (Logan County Engineer's File R-5418, Dated May, 1998).

THENCE, with the center-line of County Highway 25 (50 feet wide), N 09°-16'-24"W, a distance of 1302.45 feet to a MAG nail set at the TRUE POINT OF BEGINNING.

THENCE, with the center-line of County Highway 25 (variable widths), N 09°-16'-24"W, a distance of 1429.12 feet to a 3/4 inch iron rod found at P.I. Station 402+29.15.

THENCE, with the south line of the Alexander Andreoff 75.00 acre tract (O.R. 1064, Pg. 105, Parcel Nine) and 19.00 acre tract (O.R. 1081, Pg. 160), N 82°-20'-40"E, a distance of 2438.24 feet to a 5/8 inch iron rod set on the east line of Virginia Military Survey 9907 and the west line of Virginia Military Survey 9908, passing a 5/8 inch iron rod set at 25.00 feet.

THENCE, with the lines of the Alexander Andreoff 61.15 acre tract (O.R. 1064, Pg. 105, Parcel Eleven, Parcel A, Tract C), the following four courses:

With the east line of Virginia Military Survey 9907 and the west line of Virginia Military Survey 9908, S 06°-39'-09"E, a distance of 353.88 feet to a 5/8 inch iron rod set.

N 83°-31'-01"E, a distance of 363.66 feet to a 5/8 inch iron rod set.

N 07°-06'-03"W, a distance of 457.38 feet to a 5/8 inch iron rod set.

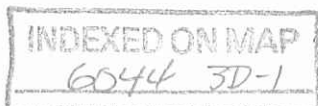
N 82°-54'-24"E, a distance of 568.26 feet to a 5/8 inch iron rod found.

Thence with the lines of the Alexander Andreoff original 1171.30 acre tract (O.R. 1064, Pg. 105, Parcel Eleven, Parcel A, Tract A), the following three courses:

S 06°-56'-10"E, a distance of 1592.72 feet to a 5/8 inch iron rod found.

S 83°-20'-30"W, a distance of 936.20 feet to a 5/8 inch iron rod found on the west line of Virginia Military Survey 9908 and the east line of Virginia Military Survey 9907.

With the west line of Virginia Military Survey 9908 and the east line of Virginia Military Survey 9907, S 07°-11'-24"E, a distance of 828.57 feet to a 5/8 inch iron rod set.



Lee Surveying and Mapping Co., Inc.

Land Surveys • Topography • Subdivisions • Construction Layout

117 N. Madriver St.
Bellefontaine OH 43311



Phone: (937) 593-7335
Fax: (937) 593-7444
surveys@lsminc.us

THENCE, with the north lines of the Richard L. Lusby 90 acre tract (O.R. 562, Pg. 394) and the Patricia J. Snapp 10.00 acre tract (O.R. 977, Pg. 19, Tract II), S 81°-50'-27"W, a distance of 1589.38 feet to a 3/4 inch iron rod found, passing a 5/8 inch iron rod found at 1183.08 feet.

THENCE, with the lines of the Patricia J. Snapp 5.00 acre tract (O.R. 977, Pg. 19, Tract I), the following two courses:

N 09°-38'-07"W, a distance of 290.18 feet to a 3/4 inch iron rod found.

S 81°-38'-03"W, a distance of 45.00 feet to a 3/4 inch iron rod found.

THENCE, with the east lines of the Fred Rostorfer 5.00 acre tract and 5.00 acre tract (O.R. 555, Pg. 587, Tract II and Tract I), N 08°-56'-56"W, a distance of 611.29 feet to a 5/8 inch iron rod found.

THENCE, with the north line of the said 5.00 acre tract (Tract I), S 82°-16'-36"W, a distance of 707.01 feet to the point of beginning, passing a 5/8 inch iron rod set at 682.00 feet and a railroad spike found at 706.26 feet.

Containing 142.659 acres, of which 0.829 acre is within the highway right-of-way. There are 112.431 acres within Virginia Military Survey 9907 and 30.228 acres within Virginia Military Survey 9908.

Property is subject to any and all previous easements and rights-of-way of record.

The basis for bearings is the center-line of County Highway 25, being N 09°-16'-24"W, and all other bearings are from angles and distances measured in a field survey by Lee Surveying and Mapping Co., Inc. on April 12, 2013.



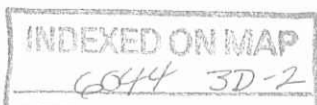
ORIGINAL STAMP IN GREEN

Description prepared by:

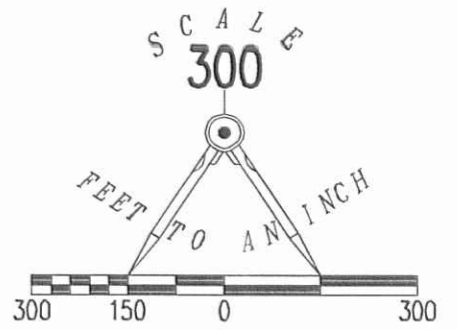
A handwritten signature in black ink that reads 'William K. Bruce'.

William K. Bruce
Professional Surveyor 7437
April 15, 2013

55150413



APPROVED



- LEGEND:
- ⊗ RAILROAD SPIKE FOUND
 - ⊕ 3/4 INCH ROD FOUND
 - ⊠ 3/4 INCH SQUARE HEAD BOLT FOUND
 - ⊙ 3/4 INCH IRON PIPE FOUND
 - ⊚ MAG NAIL FOUND
 - MAG NAIL SET
 - 5/8 INCH IRON ROD FOUND
 - 5/8 INCH IRON ROD SET WITH PLASTIC I.D. CAP STAMPED "LSM 7437"

ALEXANDER ANDREOFF
75.00 ACRES
O.R. 1064, PG. 105
PARCEL NINE

ALEXANDER ANDREOFF
19.00 ACRES
O.R. 1081, PG. 160

ALEXANDER ANDREOFF
61.15 ACRES
O.R. 1064, PG. 105
PARCEL ELEVEN
PARCEL A, TRACT C

LESLIE H. McDONALD, TRUSTEE
30 ACRES
O.R. 546, PG. 442
TRACT II

142.659 ACRES
OF WHICH 0.829 ACRE IS WITHIN
THE HIGHWAY RIGHT-OF-WAY

LESLIE H. McDONALD, TRUSTEE
107.00 ACRES
O.R. 546, PG. 442
TRACT I

ALEXANDER ANDREOFF
ORIGINAL 1171.30 ACRES
O.R. 1064, PG. 105
PARCEL ELEVEN
PARCEL A, TRACT A

RICHARD L. LUSBY
90 ACRES
O.R. 562, PG. 394

PATRICIA J. SNAPP
10.00 ACRES
O.R. 977, PG. 19
TRACT II

PATRICIA J. SNAPP
5.00 ACRES
O.R. 977, PG. 19
TRACT I

FRED ROSTORFER
5.00 ACRES
O.R. 555, PG. 587
TRACT II

FRED ROSTORFER
5.00 ACRES
O.R. 555, PG. 587
TRACT I

P.I. STATION 402+29.15
(LOGAN COUNTY ENGINEER'S
FILE R-5418, DATED MAY, 1998)

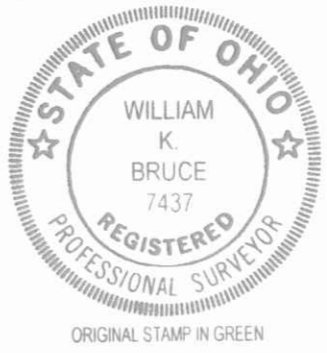
P.I. STATION 374+97.56
(LOGAN COUNTY ENGINEER'S
FILE R-5418, DATED MAY, 1998)



COUNTY HIGHWAY 25 (50')

RETRACEMENT SURVEY OF THE
LESLIE H. McDONALD, TRUSTEE
107.00 ACRE TRACT
AND 30 ACRE TRACT
OFFICIAL RECORD 546, PAGE 442
TRACT I AND TRACT II
VIRGINIA MILITARY SURVEYS 9907 & 9908
RUSHCREEK TOWNSHIP
LOGAN COUNTY, OHIO

SURVEYED BY:
William K. Bruce
WILLIAM K. BRUCE
PROFESSIONAL SURVEYOR 7437
APRIL 12, 2013



COPYRIGHT 2013 BY:
LEE SURVEYING & MAPPING CO., INC.
117 North Madriver Street
BELLEFONTAINE, OHIO 43311
(937) 593-7335
WWW.LSMINC.US
surveys@lsminc.us
KSS D0413 55150413 L-5515-2

SURVEY REFERENCES:

REFERENCE IS MADE TO A PLAT OF SURVEY BY JOBES HENDERSON & ASSOCIATES, ENTITLED "WRP CONSERVATION AND INGRESS/EGRESS EASEMENT", DATED SEPTEMBER 6, 2012, SIGNED BY JEREMY L. VAN OSTRAN, PS#8283.

REFERENCE IS MADE TO A PLAT OF SURVEY BY LOGAN COUNTY ENGINEER'S OFFICE, ENTITLED "PERMANENT EASEMENTS FOR ROAD MAINTENANCE PURPOSES", DATED MAY, 1998, SIGNED BY CURTIS D. DILL, PS#7310, FILED IN R-5418.

2 WORKING DAYS
BEFORE YOU DIG
CALL TOLL FREE 800-362-2764
OHIO UTILITIES PROTECTION SERVICE

INDEXED ON MAP
6044 3P