

do you need approval.

Deed Description

5.00 acres out of Robinson, Levan and Ropp's 49.96 acres
VMS 10631, Rushcreek Township, Logan County, Ohio 10/15/74

Situated in the County of Logan, in the State of Ohio, in the Township of Rushcreek
and being part of Virginia Military Survey 10631 and bounded and described as follows:

Beginning at the intersection of the centerlines of Rushcreek Township Road # 137
with the centerline of the Rushsylvania and Walnut Grove Pike also known as County
Highway 50; thence with the centerline of said C.H. 50 South 83 Degrees 30 Minutes
West 126.15 feet to a railroad spike set at the northwest corner of the cemetery lot,
said railroad spike being the true point of beginning of this description;
Thence with the west line of the cemetery lot South 7 Degrees 49 Minutes East 355.64
feet to an iron pin set beside a corner post; thence with the south line of said
cemetery lot North 83 Degrees 56 Minutes East 118.14 feet to a P.K. Nail set in
a wood corner post; thence with the line between Virginia Military Surveys # 10631
and # 13199 South 5 Degrees 58 Minutes East 358.00 feet to an iron pin; thence
South 83 Degrees 47 Minutes West 373.44 feet to an iron pin; thence North 4 Degrees
30 Minutes West 723.00 feet to a railroad spike set in the center of said County
Highway 50; thence with the center of said highway North 83 Degrees 30 Minutes East
225.00 feet to the point of beginning.

Containing 5.00 acres more or less, out of Jerry L. Robinson, Lowell E. Levan and
Donald W. Ropp's 49.96 acres as recorded in Volume 555 page 17 of the Logan County
Recorder's Deed Records.

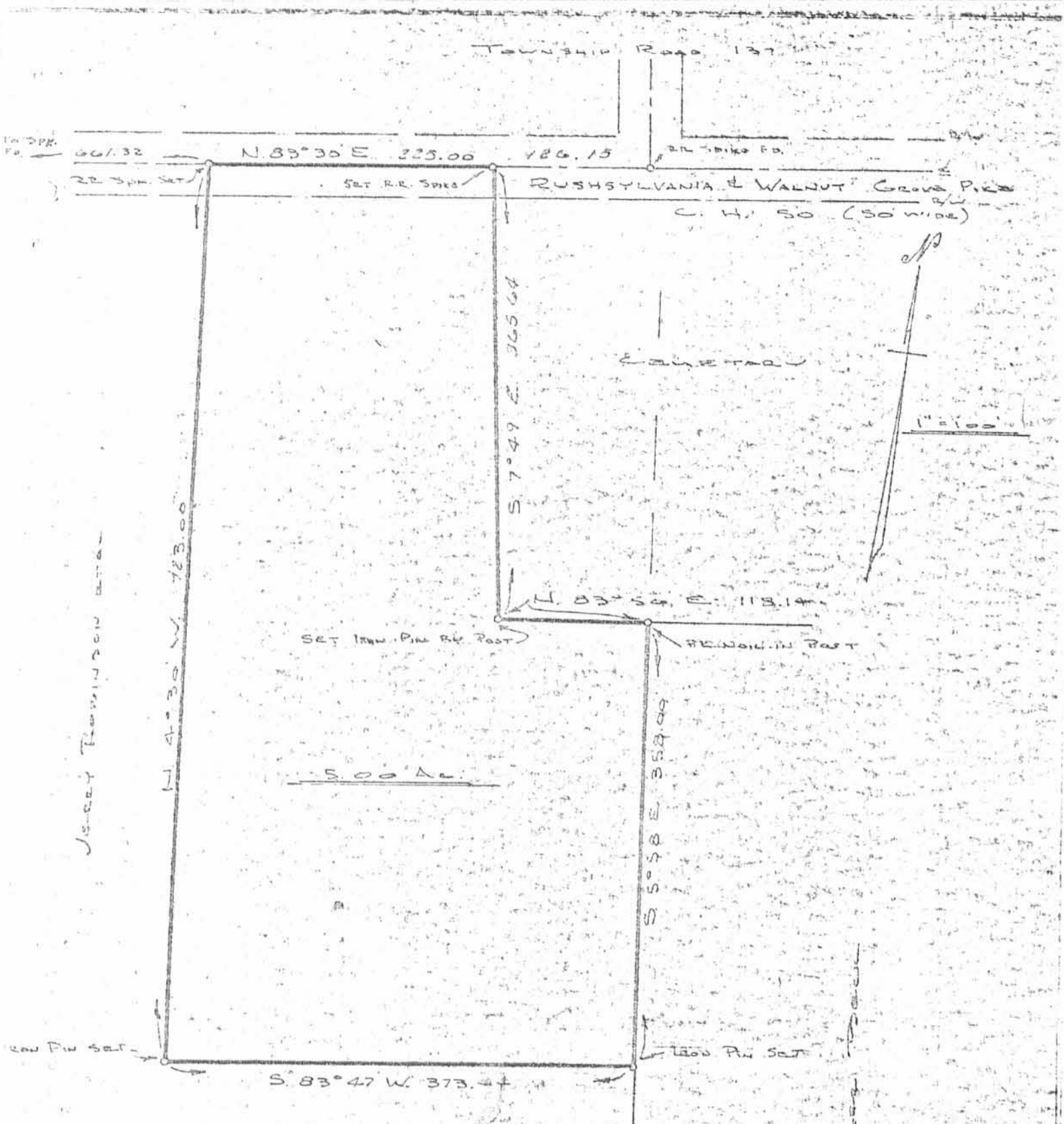
Surveyed By Larry E. Blosser SET # 1199

Checked by Clifford W. Mansfield
Reg. Surv. #13151

*Deed - Levan & Robinson
omit to Harlan L. James
y/s Lenda L. James
Pro. Kate*

5240

INDEXED ON MAP
ID



A SURVEY OF A 5.00 ACRE TRACT OUT OF ROBINSON, LEVAN AND ROPP'S 49.96 ACRES V.M.S. 10631, 1st RUSH CREEK TOWNSHIP, LOGAN COUNTY, OHIO 10/15/74

V.M.S. 10631
V.M.S. 13199

5640

IP

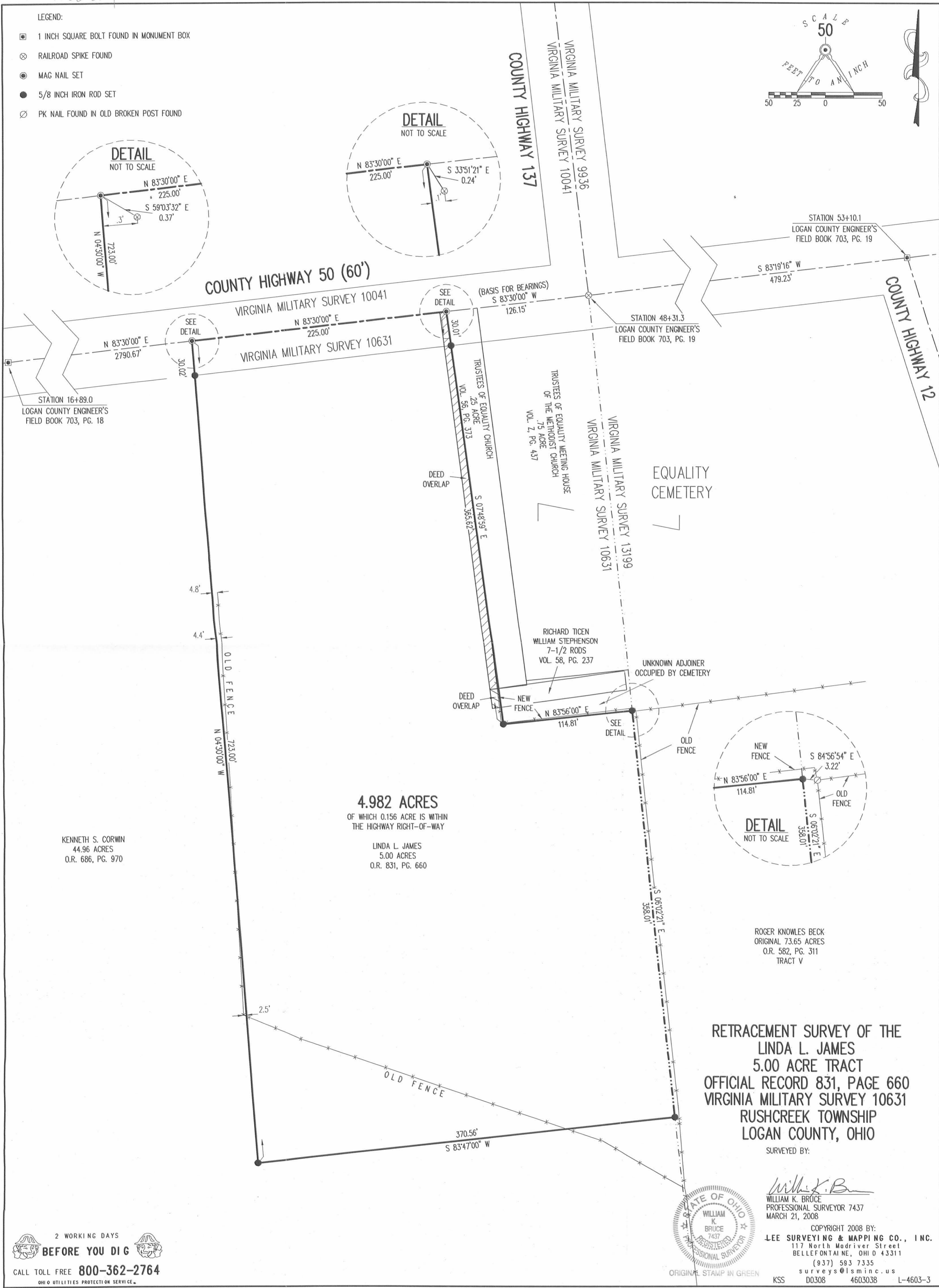
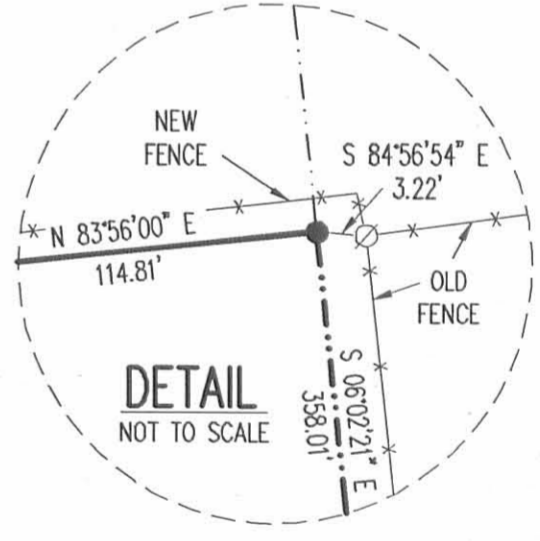
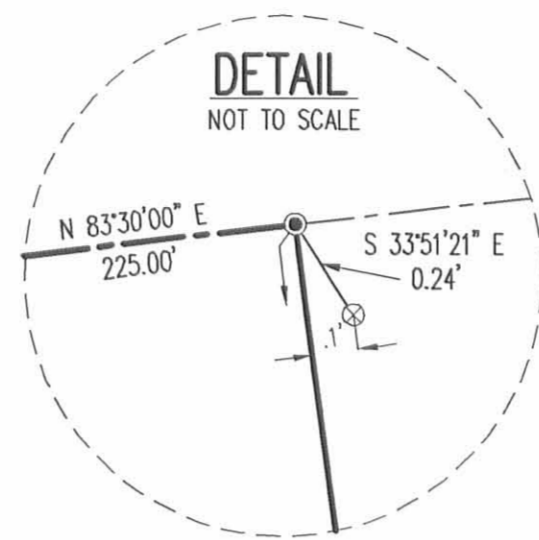
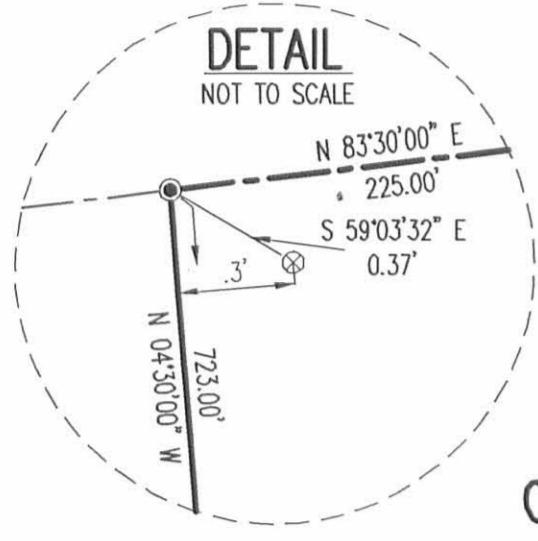
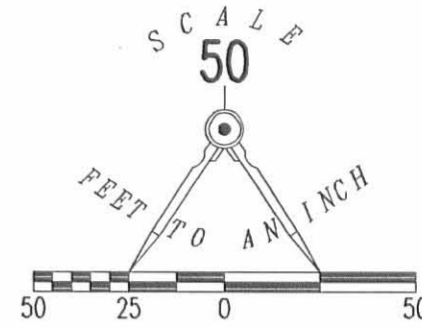
INDEXED ON MAP

BY LARRY E. BLOSSER SUR # 1199
CADD BY Cecil E. Mengerink Reg. Sur # 3151

DEED 3-31-08 SWM Ok

LEGEND:

- 1 INCH SQUARE BOLT FOUND IN MONUMENT BOX
- ⊗ RAILROAD SPIKE FOUND
- MAG NAIL SET
- 5/8 INCH IRON ROD SET
- ⊙ PK NAIL FOUND IN OLD BROKEN POST FOUND



KENNETH S. CORWIN
44.96 ACRES
O.R. 686, PG. 970

4.982 ACRES
OF WHICH 0.156 ACRE IS WITHIN
THE HIGHWAY RIGHT-OF-WAY

LINDA L. JAMES
5.00 ACRES
O.R. 831, PG. 660

ROGER KNOWLES BECK
ORIGINAL 73.65 ACRES
O.R. 582, PG. 311
TRACT V

**RETRACEMENT SURVEY OF THE
LINDA L. JAMES
5.00 ACRE TRACT
OFFICIAL RECORD 831, PAGE 660
VIRGINIA MILITARY SURVEY 10631
RUSHCREEK TOWNSHIP
LOGAN COUNTY, OHIO**

SURVEYED BY:

William K. Bruce
WILLIAM K. BRUCE
PROFESSIONAL SURVEYOR 7437
MARCH 21, 2008



COPYRIGHT 2008 BY:
LEE SURVEYING & MAPPING CO., INC.
117 North Madriver Street
BELLEFONTAINE, OHIO 43311
(937) 593 7335
surveys@lsminc.us
KSS D0308 4603038 L-4603-3

2 WORKING DAYS
BEFORE YOU DIG
CALL TOLL FREE **800-362-2764**
OHIO UTILITIES PROTECTION SERVICE

INDEXED ON MAP
3640 2P