

REV'D 1-22-08 SANYONE

# Lee Surveying and Mapping Co., Inc.

Land Surveys • Topography • Subdivisions • Construction Layout

117 N. Madriver St.  
Bellefontaine OH 43311



Phone: (937) 593-7335  
Fax: (937) 593-7444

## WISH 98.162 ACRES

Lying in Virginia Military Survey 9885, McArthur and Rushcreek Townships, Logan County, Ohio.

Being all of the James F. Wish, Trustee under his Declaration of Trust dated April 26, 1991, as amended and Susan E. Wish, Trustee under her Declaration of Trust dated April 26, 1991, as amended, 100 acre tract as deeded and described in Official Record 900, Pages 922 & 924, Tract II of the Logan County Records of Deeds and being more particularly described as follows:

Commencing on a 3/4 inch iron rod found on the northwest corner of Virginia Military Survey 9885 and the center-line of Township Road 37.

THENCE, with the west line of Virginia Military Survey 9885, S 6°-56'-01"E, a distance of 1826.60 feet to a 5/8 inch iron rod set at the TRUE POINT OF BEGINNING.

THENCE, with the south line of The Methodist Union of the Lima District, Methodist Church 100 acre tract (Vol. 327, Pg. 222), N 82°-17'-50"E, a distance of 2406.85 feet to a 5/8 inch iron rod set.

THENCE, with the west lines of the David L. Lusby 100 acre tract (O.R. 446, Pg. 808) and the James F. Wish, Trustee under his Declaration of Trust dated April 26, 1991, as amended and Susan E. Wish, Trustee under her Declaration of Trust dated April 26, 1991, as amended, 31.972 acre tract (O.R. 900, Pages 922 and 924, Tract I), S 7°-45'-08"E, a distance of 1744.98 feet to a 5/8 inch iron rod found.

THENCE, with the north line of the Paul F. Wish, Trustee and Marjorie V. Wish, Trustee, 170.94 acre tract (O.R. 196, Pg. 143, Parcel Two), S 81°-14'-46"W, a distance of 2432.78 feet to a 5/8 inch iron rod set at a large Hawthorne tree found with fence imbedded in it on the west line of Virginia Military Survey 9885.

THENCE, with the west line of Virginia Military Survey 9885 and the east lines of the Paul F. Wish, Trustee and Marjorie V. Wish, Trustee, 133.71 acre tract (O.R. 196, Pg. 143, Parcel Three, Tract II) and the West Ohio Annual Conference of United Methodist Church 50.00 acre tract (O.R. 52, Pg. 758), N 6°-56'-01"W, a distance of 1789.77 feet to the point of beginning.

Containing 98.162 acres. There are 46.233 acres within McArthur Township and 51.929 acres within Rushcreek Township.

The basis for bearings is the west line of Virginia Military Survey 9885, being S 6°-56'-01"E, and all other bearings are from angles and distances measured in a field survey by Lee Surveying and Mapping Co., Inc. on January 21, 2008.



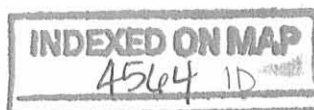
ORIGINAL STAMP IN GREEN

Description prepared by:

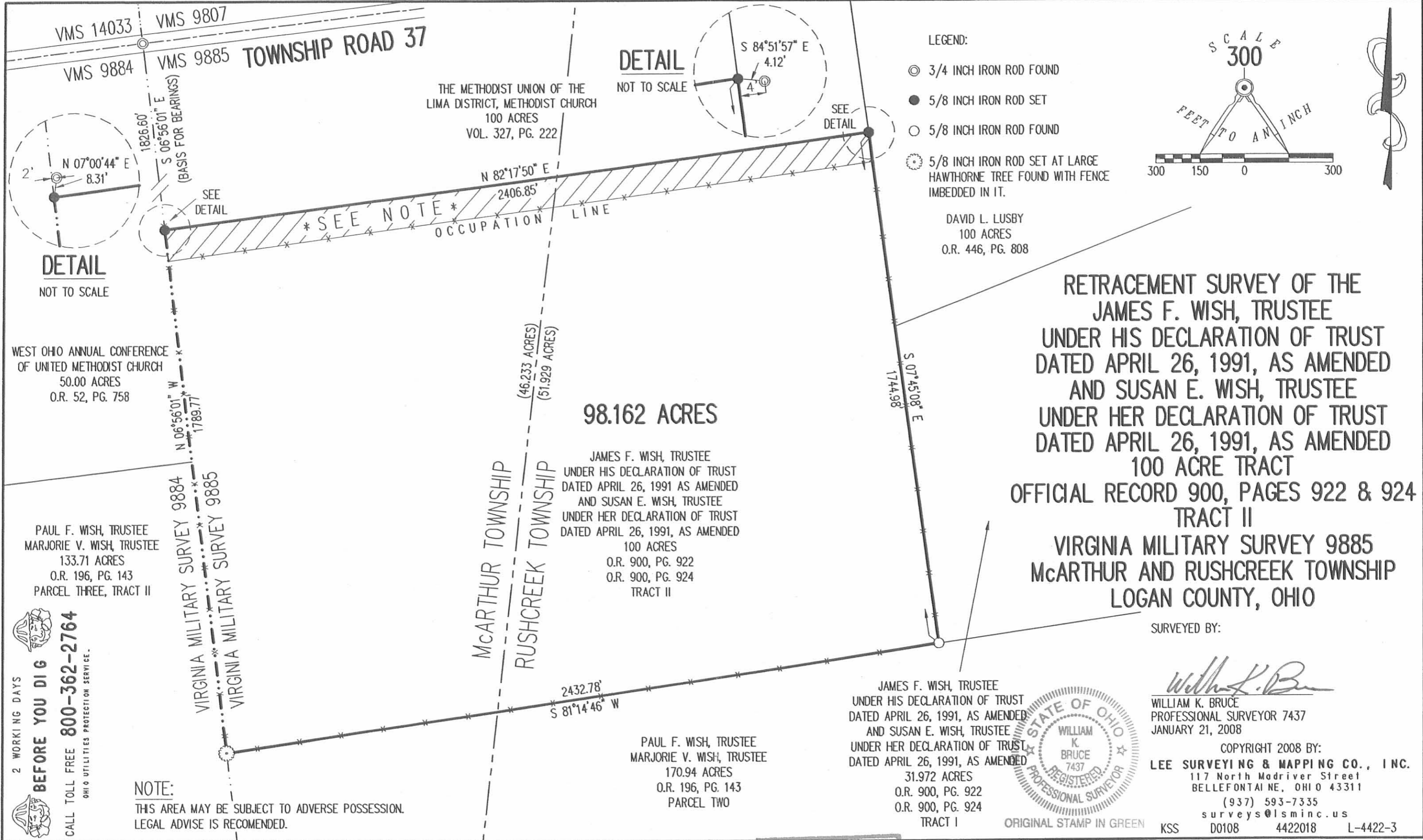
A handwritten signature in cursive script that reads 'William K. Bruce'.

William K. Bruce  
Professional Surveyor 7437  
January 21, 2008

4422018



REV 10 1-22-08 SURV OK



2 WORKING DAYS  
**BEFORE YOU DIG**  
 CALL TOLL FREE **800-362-2764**  
 OHIO UTILITIES PROTECTION SERVICE.



SURVEYED BY:  
*William K. Bruce*  
**WILLIAM K. BRUCE**  
 PROFESSIONAL SURVEYOR 7437  
 JANUARY 21, 2008

COPYRIGHT 2008 BY:  
**LEE SURVEYING & MAPPING CO., INC.**  
 117 North Madriver Street  
 BELLEFONTAINE, OHIO 43311  
 (937) 593-7335  
 surveys@lsminc.us

ORIGINAL STAMP IN GREEN  
 KSS D0108 4422018 L-4422-3

**INDEXED ON MAP**  
 4564 1P

REV'D 2-6-08 SVM/ok

# Lee Surveying and Mapping Co., Inc.

Land Surveys • Topography • Subdivisions • Construction Layout

117 N. Madriver St.  
Bellefontaine OH 43311



Phone: (937) 593-7335  
Fax: (937) 593-7444

## WISH 5.620 ACRES

Lying in Virginia Military Survey 9885, McArthur and Rushcreek Townships, Logan County, Ohio.

Being out of the James F. Wish, Trustee under his Declaration of Trust dated April 26, 1991, as amended and Susan E. Wish, Trustee under her Declaration of Trust dated April 26, 1991, as amended, 100 acre tract as deeded and described in Official Record 900, Pages 922 & 924, Tract II of the Logan County Records of Deeds and being more particularly described as follows:

Commencing on a 3/4 inch iron rod found on the northwest corner of Virginia Military Survey 9885 and the center-line of Township Road 37.

THENCE, with the west line of Virginia Military Survey 9885, S 6°-56'-01"E, a distance of 1826.60 feet to a 5/8 inch iron rod set at the TRUE POINT OF BEGINNING.

THENCE, with the south line of The Methodist Union of the Lima District, Methodist Church 100 acre tract (Vol. 327, Pg. 222), N 82°-17'-50"E, a distance of 2406.85 feet to a 5/8 inch iron rod set.

THENCE, with the west line of the David L. Lusby 100 acre tract (O.R. 446, Pg. 808), S 7°-45'-08"E, a distance of 97.45 feet to a 5/8 inch iron rod set.

THENCE, S 82°-05'-47"W, a distance of 2408.37 feet to a 5/8 inch iron rod set on the west line of Virginia Military Survey 9885.

THENCE, with the west line of Virginia Military Survey 9885 and the east line of the West Ohio Annual Conference of United Methodist Church 50.00 acre tract (O.R. 52, Pg. 758), N 6°-56'-01"W, a distance of 105.91 feet to the point of beginning.

Containing 5.620 acres. There are 3.156 acres within McArthur Township and 2.464 acres within Rushcreek Township.

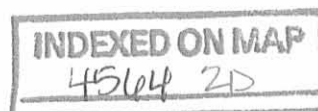
The basis for bearings is the west line of Virginia Military Survey 9885, being S 6°-56'-01"E, and all other bearings are from angles and distances measured in a field survey by Lee Surveying and Mapping Co., Inc. on February 5, 2008.



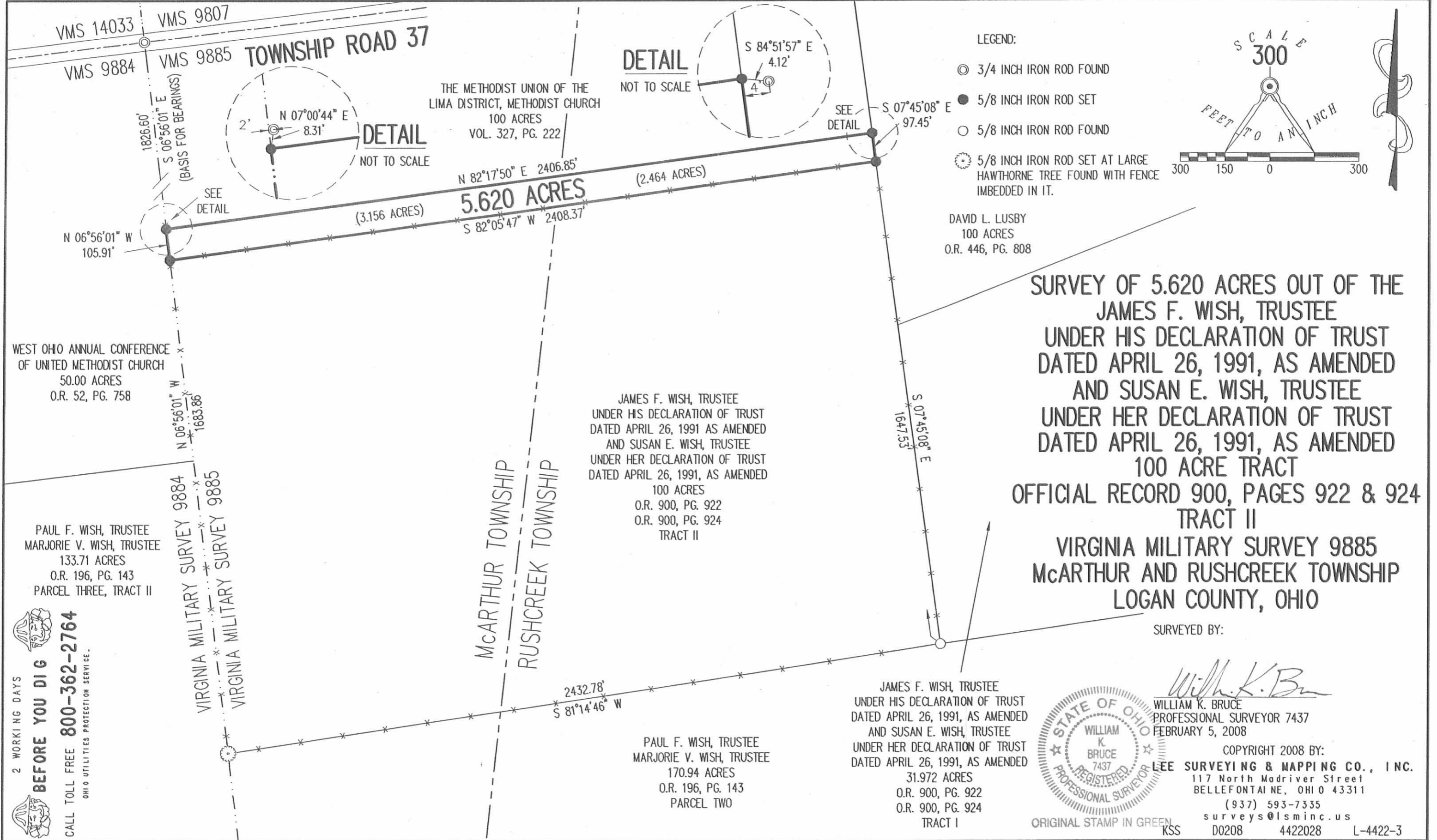
Description prepared by:

William K. Bruce  
Professional Surveyor 7437  
February 5, 2008

4422028

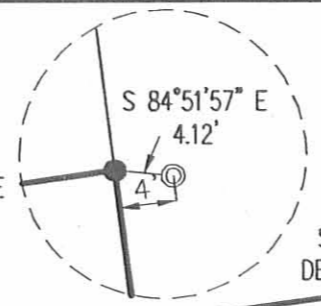


REC'D 2-6-08 8MJK



**DETAIL**

NOT TO SCALE



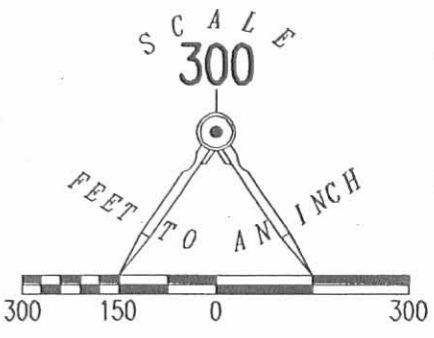
**DETAIL**

NOT TO SCALE



LEGEND:

- ⊙ 3/4 INCH IRON ROD FOUND
- 5/8 INCH IRON ROD SET
- 5/8 INCH IRON ROD FOUND
- ⊙ 5/8 INCH IRON ROD SET AT LARGE HAWTHORNE TREE FOUND WITH FENCE IMBEDDED IN IT.



DAVID L. LUSBY  
100 ACRES  
O.R. 446, PG. 808

**SURVEY OF 5.620 ACRES OUT OF THE  
JAMES F. WISH, TRUSTEE  
UNDER HIS DECLARATION OF TRUST  
DATED APRIL 26, 1991, AS AMENDED  
AND SUSAN E. WISH, TRUSTEE  
UNDER HER DECLARATION OF TRUST  
DATED APRIL 26, 1991, AS AMENDED  
100 ACRE TRACT  
OFFICIAL RECORD 900, PAGES 922 & 924  
TRACT II  
VIRGINIA MILITARY SURVEY 9885  
McARTHUR AND RUSHCREEK TOWNSHIP  
LOGAN COUNTY, OHIO**

JAMES F. WISH, TRUSTEE  
UNDER HIS DECLARATION OF TRUST  
DATED APRIL 26, 1991 AS AMENDED  
AND SUSAN E. WISH, TRUSTEE  
UNDER HER DECLARATION OF TRUST  
DATED APRIL 26, 1991, AS AMENDED  
100 ACRES  
O.R. 900, PG. 922  
O.R. 900, PG. 924  
TRACT II

JAMES F. WISH, TRUSTEE  
UNDER HIS DECLARATION OF TRUST  
DATED APRIL 26, 1991, AS AMENDED  
AND SUSAN E. WISH, TRUSTEE  
UNDER HER DECLARATION OF TRUST  
DATED APRIL 26, 1991, AS AMENDED  
31.972 ACRES  
O.R. 900, PG. 922  
O.R. 900, PG. 924  
TRACT I

PAUL F. WISH, TRUSTEE  
MARJORIE V. WISH, TRUSTEE  
170.94 ACRES  
O.R. 196, PG. 143  
PARCEL TWO

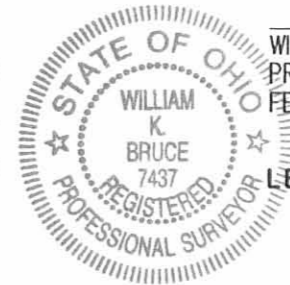
WEST OHIO ANNUAL CONFERENCE  
OF UNITED METHODIST CHURCH  
50.00 ACRES  
O.R. 52, PG. 758

PAUL F. WISH, TRUSTEE  
MARJORIE V. WISH, TRUSTEE  
133.71 ACRES  
O.R. 196, PG. 143  
PARCEL THREE, TRACT II

SURVEYED BY:

*William K. Bruce*

WILLIAM K. BRUCE  
PROFESSIONAL SURVEYOR 7437  
FEBRUARY 5, 2008



ORIGINAL STAMP IN GREEN

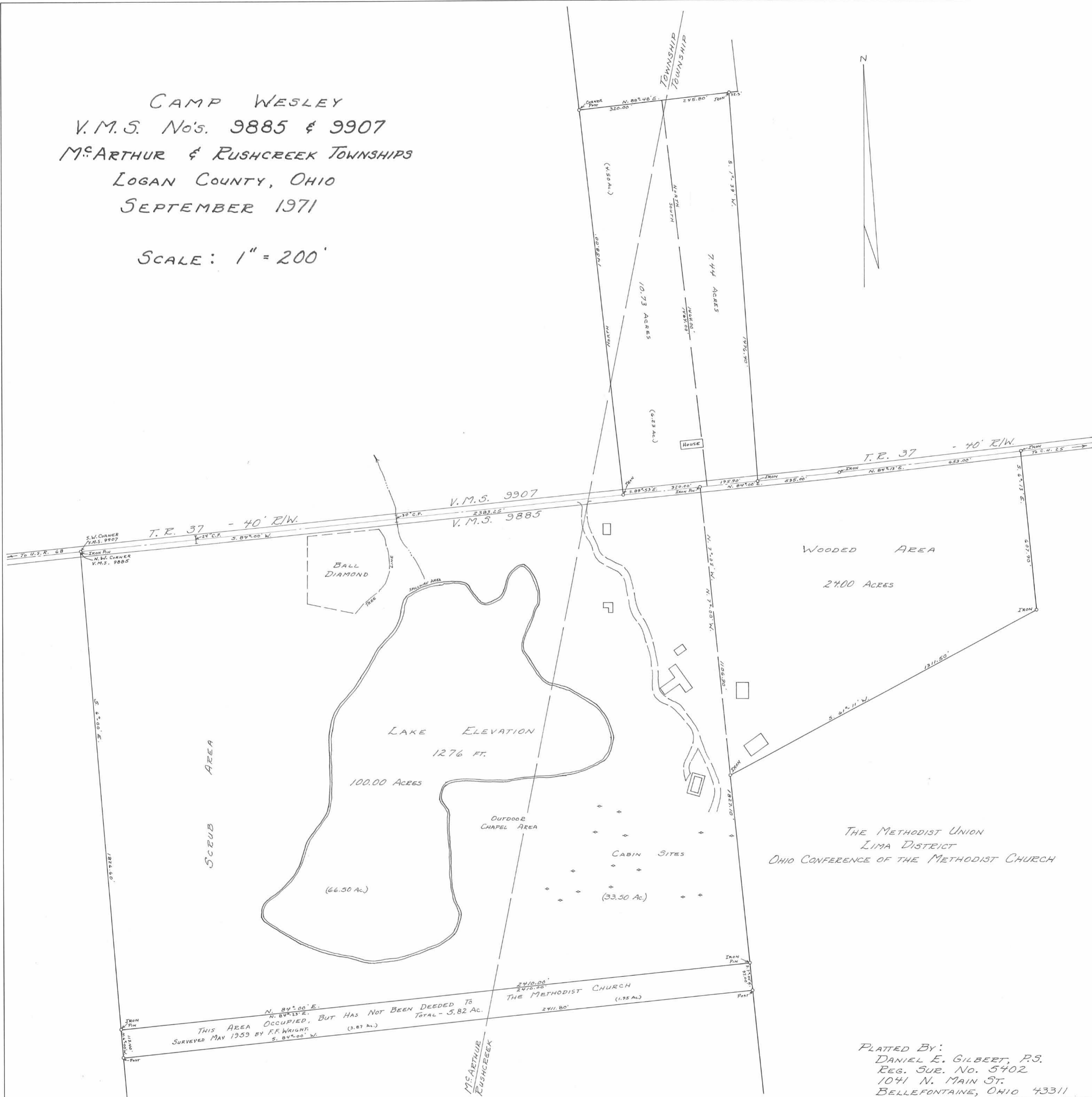
COPYRIGHT 2008 BY:  
**LEE SURVEYING & MAPPING CO., INC.**  
117 North Madriver Street  
BELLEFONTAINE, OHIO 43311  
(937) 593-7335  
surveys@lsminc.us  
KSS D0208 4422028 L-4422-3

2 WORKING DAYS  
**BEFORE YOU DIG**  
CALL TOLL FREE **800-362-2764**  
OHIO UTILITIES PROTECTION SERVICE.

INDEXED ON MAP  
4564 2P

CAMP WESLEY  
 V.M.S. No's. 9885 & 9907  
 McARTHUR & RUSHCREEK TOWNSHIPS  
 LOGAN COUNTY, OHIO  
 SEPTEMBER 1971

SCALE: 1" = 200'



THIS AREA OCCUPIED, BUT HAS NOT BEEN DEEDED TO  
 SURVEYED MAY 1959 BY F.F. WRIGHT (3.87 AC.)  
 N. 84° 00' E.  
 N. 84° 15' E.  
 S. 84° 00' W.

THE METHODIST UNION  
 LIMA DISTRICT  
 OHIO CONFERENCE OF THE METHODIST CHURCH

PLATED BY:  
 DANIEL E. GILBERT, P.S.  
 REG. SUR. NO. 5402  
 1041 N. MAIN ST.  
 BELLEFONTAINE, OHIO 43311