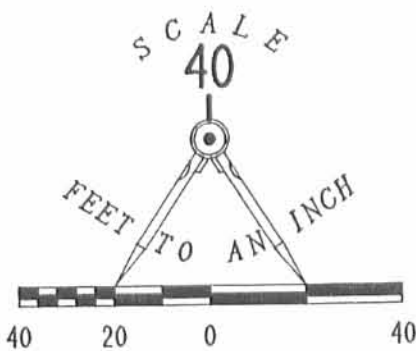


BUCKEYE AVENUE (50')

(PRIVATE STREET)

PARKER DRIVE (50')



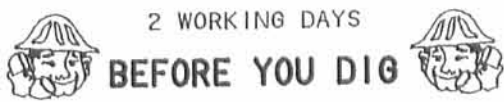
RETRACEMENT SURVEY OF LOTS 93 AND 94  
 INDIAN LAKE SHORES . ALLOTMENT NO. 1  
 LAWRENCE A. CASCIOLI  
 OFFICIAL RECORD 163, PAGE 267  
 VIRGINIA MILITARY SURVEY 13393  
 RICHLAND TOWNSHIP  
 LOGAN COUNTY, OHIO

LEGEND:

- o 3/8" IRON ROD FOUND
- ∅ P.K. NAIL W/ SHINER FOUND

REFERENCES:

PLAT OF INDIAN LAKE SHORES. ALLOTMENT NO. 1.



CALL TOLL FREE **800-362-2764**  
 OHIO UTILITIES PROTECTION SERVICE.



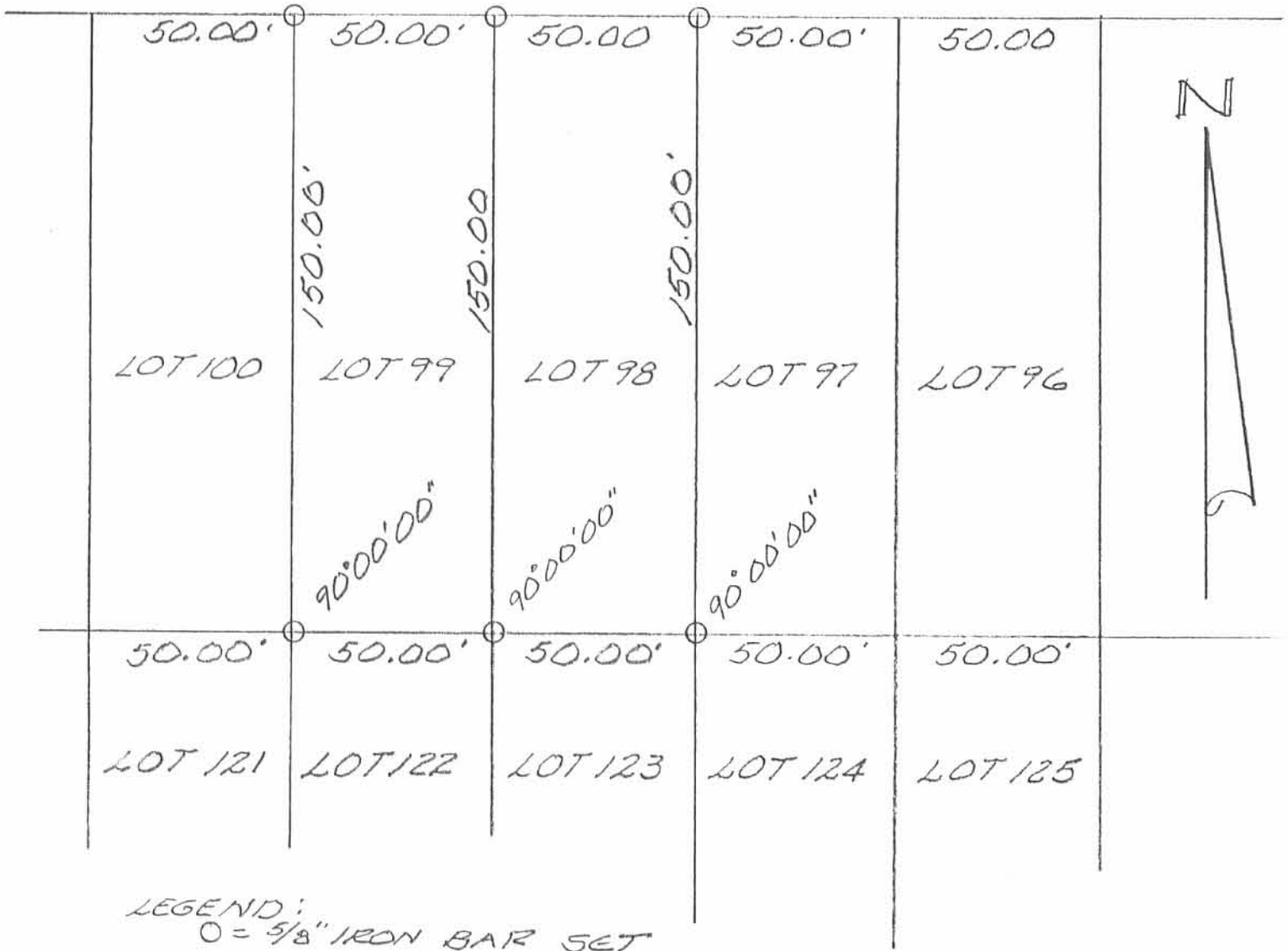
ORIGINAL STAMP IN GREEN

SURVEYED BY:  
*Jeffrey I. Lee*  
 JEFFREY I. LEE  
 PROFESSIONAL SURVEYOR 6359  
 MAY 6, 1993

INDEXED ON MAP  
 8798

**LEE SURVEYING & MAPPING CO.**  
 143 East Columbus Avenue  
 BELLEFONTAINE, OHIO 43311  
 (513) 593-7335

BUCKEYE AVENUE (50')



LEGEND:  
O = 5/8" IRON BAR SET

SURVEY OF LOTS 98 & 99,  
INDIAN LAKE SHORES ALLOT.  
NO. 1, V.M.S. 13393, RICHLAND  
TOWNSHIP, LOGAN COUNTY,  
OHIO.

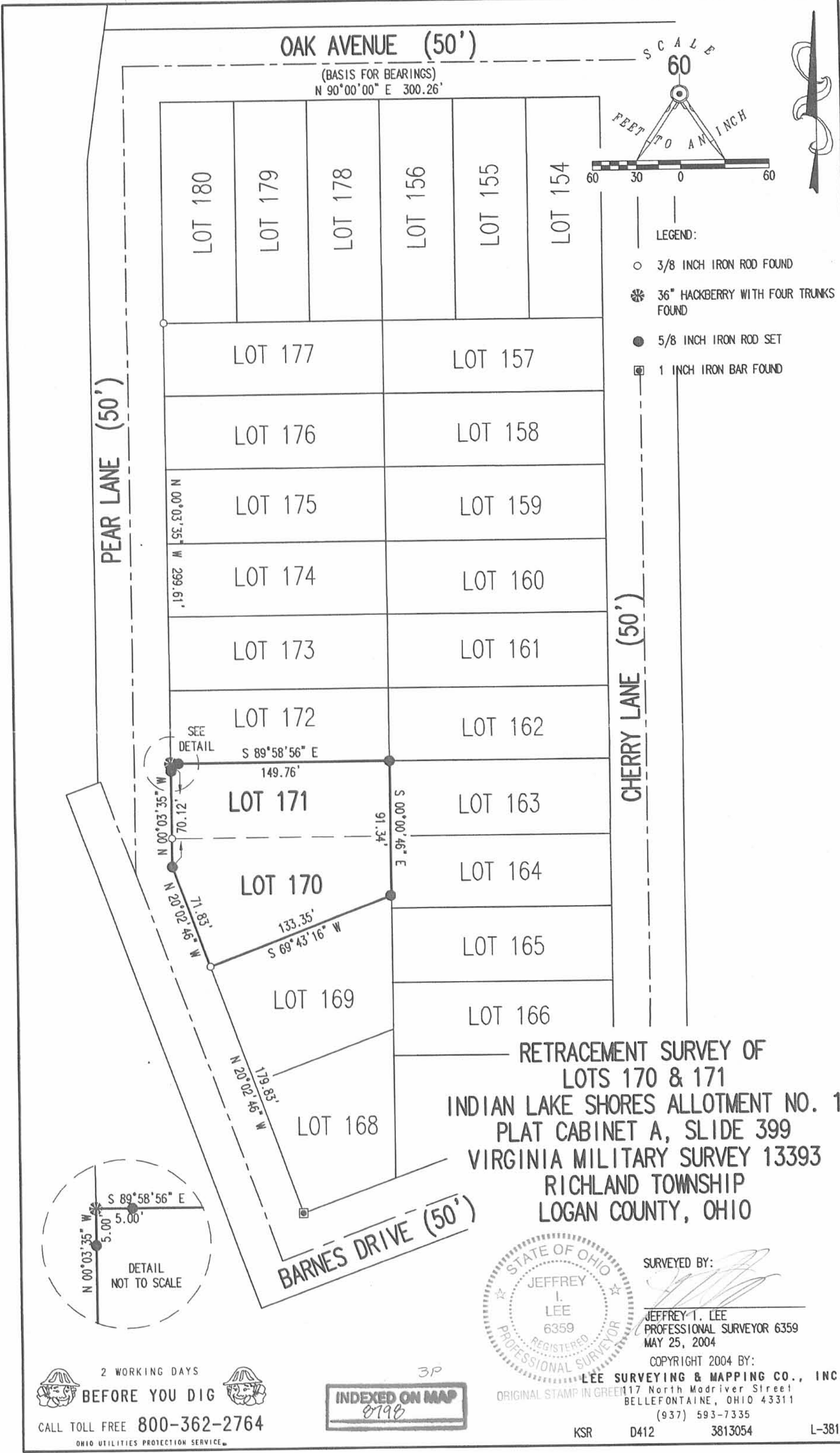
APRIL 21, 1997  
SCALE: 1" = 40'



2P

INDEXED ON MAP  
0798

*Leslie H. Geeslin*  
LESLIE H. GEESLIN  
RUSHSVANIA, OHIO  
PH 937-468-2793



2 WORKING DAYS  
**BEFORE YOU DIG**  
 CALL TOLL FREE 800-362-2764  
 OHIO UTILITIES PROTECTION SERVICE

3P  
**INDEXED ON MAP**  
 8798

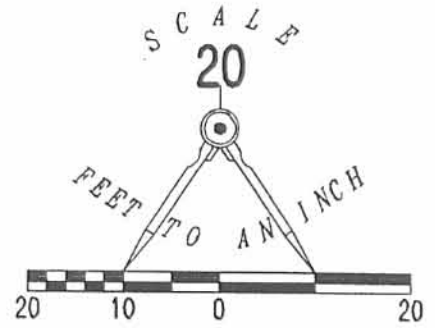
STATE OF OHIO  
 JEFFREY I. LEE  
 6359  
 REGISTERED PROFESSIONAL SURVEYOR  
 ORIGINAL STAMP IN GREEN

SURVEYED BY:  
  
 JEFFREY I. LEE  
 PROFESSIONAL SURVEYOR 6359  
 MAY 25, 2004

COPYRIGHT 2004 BY:  
**LEE SURVEYING & MAPPING CO., INC.**  
 117 North Madriver Street  
 BELLEFONTAINE, OHIO 43311  
 (937) 593-7335

LEGEND

- 5/8 INCH IRON ROD SET
- 5/8 INCH IRON ROD FOUND
- ⊗ RAILROAD SPIKE FOUND



BASIS FOR BEARINGS  
N 90°00'00" E

BUCKEYE AVENUE (50 FEET WIDE)

PARKER DRIVE (50 FEET WIDE)

LOT 93

LOT 92

LOT 91

LOT 128

LOT 129

LOT 130

INDIAN LAKE SHORES ALLOTMENT No. 1  
PLAT CABINET A, SLIDE 399

A RETRACEMENT SURVEY OF  
 LOTS 92 AND 91  
 INDIAN LAKE SHORES ALLOTMENT No. 1  
 PLAT CABINET A, SLIDE 399  
 VIRGINIA MILITARY SURVEY 13393  
 RICHLAND TOWNSHIP  
 LOGAN COUNTY, OHIO

SURVEYED BY:



*Jeffrey I. Lee*  
 JEFFREY I. LEE  
 PROFESSIONAL SURVEYOR 6359  
 JUNE 19, 2006

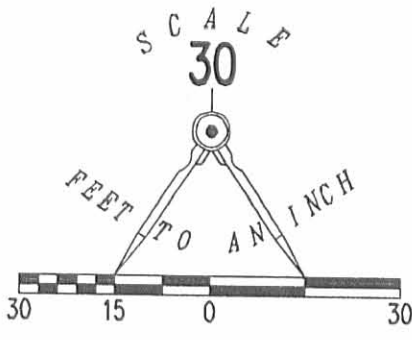
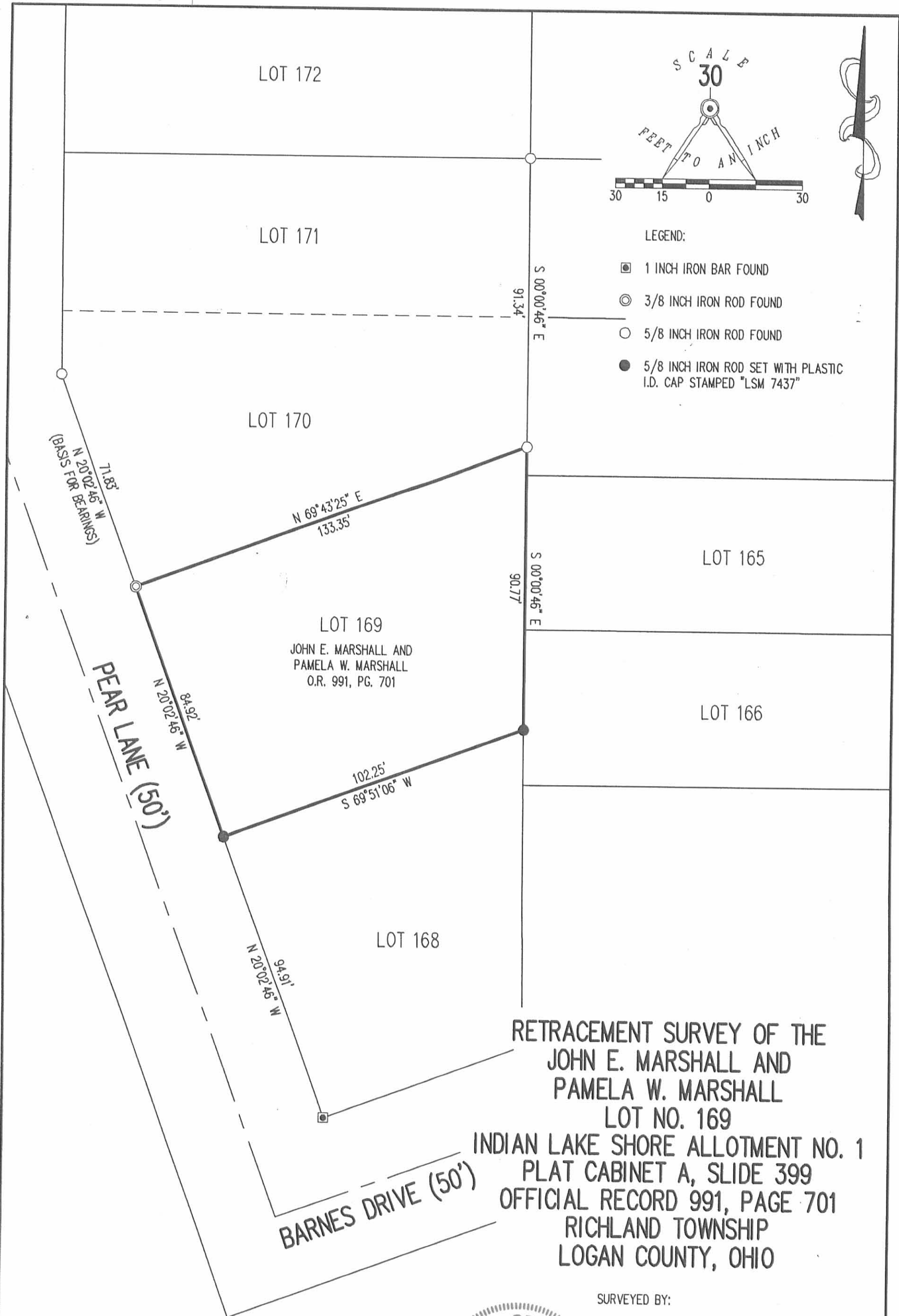
COPYRIGHT 2006 BY:  
 LEE SURVEYING & MAPPING CO., INC.  
 117 North Madriver Street  
 BELLEFONTAINE, OHIO 43311  
 (937) 593-7335

2 WORKING DAYS  
**BEFORE YOU DIG**  
 CALL TOLL FREE **800-362-2764**  
 OHIO UTILITIES PROTECTION SERVICE.

ORIGINAL STAMP IN GREEN

ADW D0606 4257066 L-4257066-3

INDEXED ON MAP  
8790



- LEGEND:
- 1 INCH IRON BAR FOUND
  - ⊙ 3/8 INCH IRON ROD FOUND
  - 5/8 INCH IRON ROD FOUND
  - 5/8 INCH IRON ROD SET WITH PLASTIC I.D. CAP STAMPED "LSM 7437"

RETRACEMENT SURVEY OF THE  
JOHN E. MARSHALL AND  
PAMELA W. MARSHALL  
LOT NO. 169  
INDIAN LAKE SHORE ALLOTMENT NO. 1  
PLAT CABINET A, SLIDE 399  
OFFICIAL RECORD 991, PAGE 701  
RICHLAND TOWNSHIP  
LOGAN COUNTY, OHIO

SURVEYED BY:



*William K. Bruce*  
WILLIAM K. BRUCE  
PROFESSIONAL SURVEYOR 7437  
MAY 25, 2010

COPYRIGHT 2010 BY:  
LEE SURVEYING & MAPPING CO., INC.  
117 North Madriver Street  
BELLEFONTAINE, OHIO 43111  
(937) 593-7335  
surveys@lsminc.us  
KSS D0510 3813510 L-3813-3

2 WORKING DAYS  
**BEFORE YOU DIG**  
CALL TOLL FREE **800-362-2764**  
OHIO UTILITIES PROTECTION SERVICE.

INDEXED ON MAP  
8798 5P

ORIGINAL STAMP IN GREEN

FEED 1-4-12 SMY OK

# Lee Surveying and Mapping Co., Inc.

Land Surveys • Topography • Subdivisions • Construction Layout

117 N. Madriver St.  
Bellefontaine OH 43311



Phone: (937) 593-7335  
Fax: (937) 593-7444  
surveys@lsmine.us

## YOSHIDA 0.344 ACRE

Lying in Virginia Military Survey 13393, Richland Township, Logan County, Ohio.

Being all of the Greg Yoshida and Karen Yoshida Lots 143 and 144 (Indian Lake Shores Allotment # 1, Plat Cabinet A, Slide 399) as deeded and described in Official Record 1048, Page 690 of the Logan County Records of Deeds and being more particularly described as follows:

Commencing at a 5/8 inch iron rod set at the northwest corner of Lot 142, of said Allotment, on the east right-of-way of Cherry Lane (50 feet wide).

THENCE, with the east right-of-way of Cherry Lane, N 05°-46'-27"W, a distance of 100.00 feet to a point referenced by a 3/8 inch iron rod found in concrete that bears N 85°-40'-22"W, a distance of 0.68 feet.

THENCE, with the south line of Lot 145, N 84°-13'-32"E, a distance of 150.00 feet to a 5/8 inch iron rod set.

THENCE, with the west lines of Lots 140 and 141, S 05°-46'-30"E, a distance of 100.00 feet to a 5/8 inch iron rod set.

THENCE, with the north line Lot 142, S 84°-13'-30"W, a distance of 150.00 feet to the point of beginning.

Containing 0.344 acre.

Property is subject to any and all previous easements and rights-of-way of record.

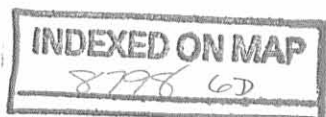
The basis for bearings is east right-of-way of Cherry Lane, being N 05°-46'-27"W, and all other bearings are from angles and distances measured in a field survey by Lee Surveying and Mapping Co., Inc. on December 29, 2011.

Description prepared by:

William K. Bruce  
Professional Surveyor 7437  
December 30, 2011



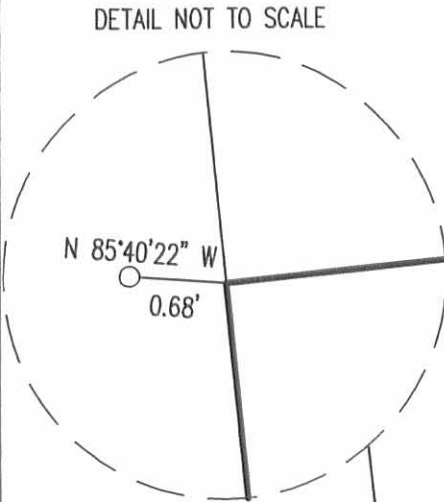
L-5250



REC'D 1-4-12 SMY DL

# INDIAN LAKE SHORE ALLOTMENT # 1

PLAT CABINET A, SLIDE 399



CHERRY LANE (50')

N 05°46'27" W  
BASIS FOR BEARINGS

SEE DETAIL

N 84°13'32" E  
150.00'

GREG YOSHIDA AND KAREN YOSHIDA  
LOTS 143 AND 144  
O.R. 1048, PG. 690

0.344 ACRE

150.00'  
S 84°13'30" W

LOT 145  
LOT 144

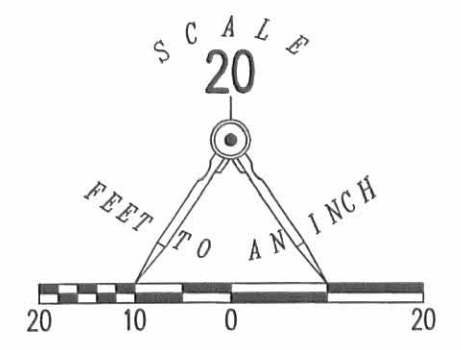
LOT 144  
LOT 143

LOT 143  
LOT 142

LOT 139  
LOT 140

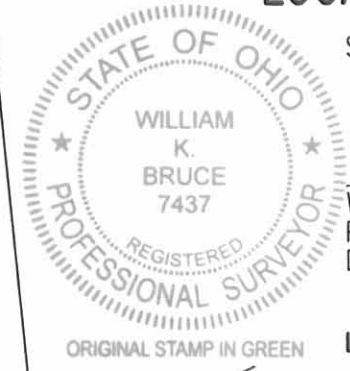
LOT 140  
LOT 141

S 05°46'30" E  
100.00'



- LEGEND
- 5/8 INCH IRON ROD SET WITH PLASTIC I.D. CAP STAMPED "LSM 7437"
  - 3/8 IRON ROD FOUND IN CONCRETE

RETRACEMENT SURVEY OF THE  
GREG YOSHIDA AND KAREN YOSHIDA  
LOTS 143 AND 144  
OFFICIAL RECORD 1048, PAGE 690  
INDIAN LAKE SHORE ALLOTMENT # 1  
PLAT CABINET A, SLIDE 399  
VIRGINIA MILITARY SURVEY 13393  
RICHLAND TOWNSHIP  
LOGAN COUNTY, OHIO



SURVEYED BY:  
*William K. Bruce*  
WILLIAM K. BRUCE  
PROFESSIONAL SURVEYOR 7437  
DECEMBER 30, 2011

COPYRIGHT 2011 BY:  
**LEE SURVEYING & MAPPING CO., INC.**  
117 North Madriver Street  
BELLEFONTAINE, OHIO 43311  
(937) 593-7335  
WWW.LSMINC.US  
surveys@lsminc.us  
ADW D1211 52501211 L-5250-3

2 WORKING DAYS  
**BEFORE YOU DIG**  
CALL TOLL FREE **800-362-2764**  
OHIO UTILITIES PROTECTION SERVICE.

INDEXED ON MAP  
8798 GP

APPROVED 9-17-14

LEGEND

- 5/8 INCH IRON ROD SET WITH PLASTIC I.D. CAP STAMPED "LSM 7437"
- 3/8 INCH IRON ROD FOUND

OAK AVENUE (50')

PEACH LANE (50')

CHERRY LANE (50')

BASIS FOR BEARING  
N 84°13'31" E  
225.00'

S 05°46'29" E  
150.00'

LINDSAY K. BEIDELSCHIES ROWE, TRUSTEE  
LOT 131 AND PART OF LOT 132  
O.R. 1147, PG. 641

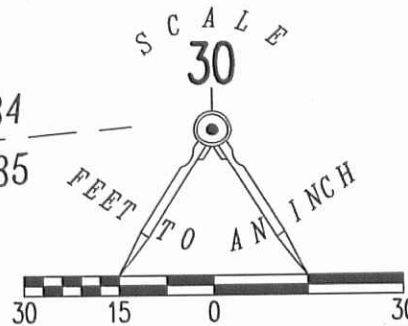
RICKIE LEE JACOBS, VICKIE LYNN RAPER,  
MICHAEL DAVID JACOBS, DONALD EUGENE  
JACOBS AND FRANKLIN DEAN JACOBS  
LOT 133 AND PART OF LOT 132  
O.R. 1119, PG. 139

INDIAN LAKESHORES ALLOTMENT NO. 1  
PLAT CABINET A, SLIDE 399

JENNIFER R FISHER  
LOT 134  
O.R. 965, PG. 196

LOT 134  
LOT 135

LOT 150  
LOT 149



PARTIAL RETRACEMENT OF THE RICKIE LEE JACOBS,  
VICKIE LYNN RAPER, MICHAEL DAVID JACOBS,  
DONALD EUGENE JACOBS AND FRANKLIN DEAN JACOBS  
LOT 133 AND PART OF LOT 132  
OFFICIAL RECORD 1119, PAGE 139  
INDIAN LAKESHORES ALLOTMENT NO. 1  
PLAT CABINET A, SLIDE 399  
VIRGINIA MILITARY SURVEY 13393  
RICHLAND TOWNSHIP  
LOGAN COUNTY, OHIO

SURVEYED BY:

*William K. Bruce*  
WILLIAM K. BRUCE  
PROFESSIONAL SURVEYOR 7437  
SEPTEMBER 4, 2014

COPYRIGHT 2014 BY:  
LEE SURVEYING & MAPPING CO., INC.  
117 North Madriver Street  
BELLEFONTAINE, OHIO 43311  
(937) 593-7335  
WWW.LSMINC.US  
surveys@lsminc.us

ADW D0814 57980814 L-5798

2 WORKING DAYS  
BEFORE YOU DIG  
CALL TOLL FREE 800-362-2764  
OHIO UTILITIES PROTECTION SERVICE

INDEXED ON MAP  
8798 7P



4-19-14

# Lee Surveying and Mapping Co., Inc.



Land Surveys • Topography • Subdivisions • Construction Layout

117 N. Madriver St.  
Bellefontaine OH 43311



Phone: (937) 593-7335  
Fax: (937) 593-7444  
surveys@lsminc.us

## GRINDER PUMP EASEMENT

Lying in Richland Township, Logan County, Ohio.

Being a Grinder Pump Easement over a portion of Lot 119 of Indian Lake Shores Allotment No. 1 as recorded in Plat Cabinet A, Slide 399 of the Logan County Records of Plats and being more particularly described as follows:

Beginning on a 5/8 inch iron rod set on the southeast corner of Lot 119 and the north right-of-way of Oak Avenue.

THENCE, with the south line of Lot 119 and the north right-of-way of Oak Avenue (50 feet wide), N 89°-53'-21"W, a distance of 17.06 feet to a point.

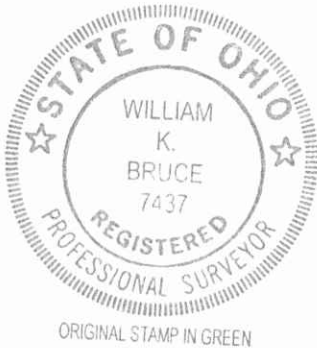
THENCE, N 00°-01'-16"E, a distance of 12.95 feet to a point.

THENCE, S 89°-53'-21"E, a distance of 17.06 feet to a point of the east line of Lot 119.

THENCE, with the east line of Lot 119, S 00°-01'-16"W, a distance of 12.95 feet to the point of beginning.

Property is subject to any and all previous easements and rights-of-way of record.

The basis for bearings is the north right-of-way of Oak Avenue, being N 89°-53'-21"W, and all other bearings are from angles and distances measured in a field survey by Lee Surveying and Mapping Co., Inc. on April 7, 2016



Description prepared by:

*William K. Bruce*

William K. Bruce  
Professional Surveyor 7437  
April 8, 2016

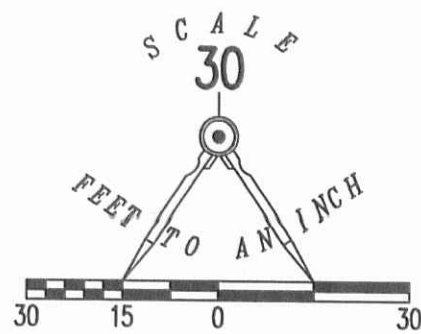
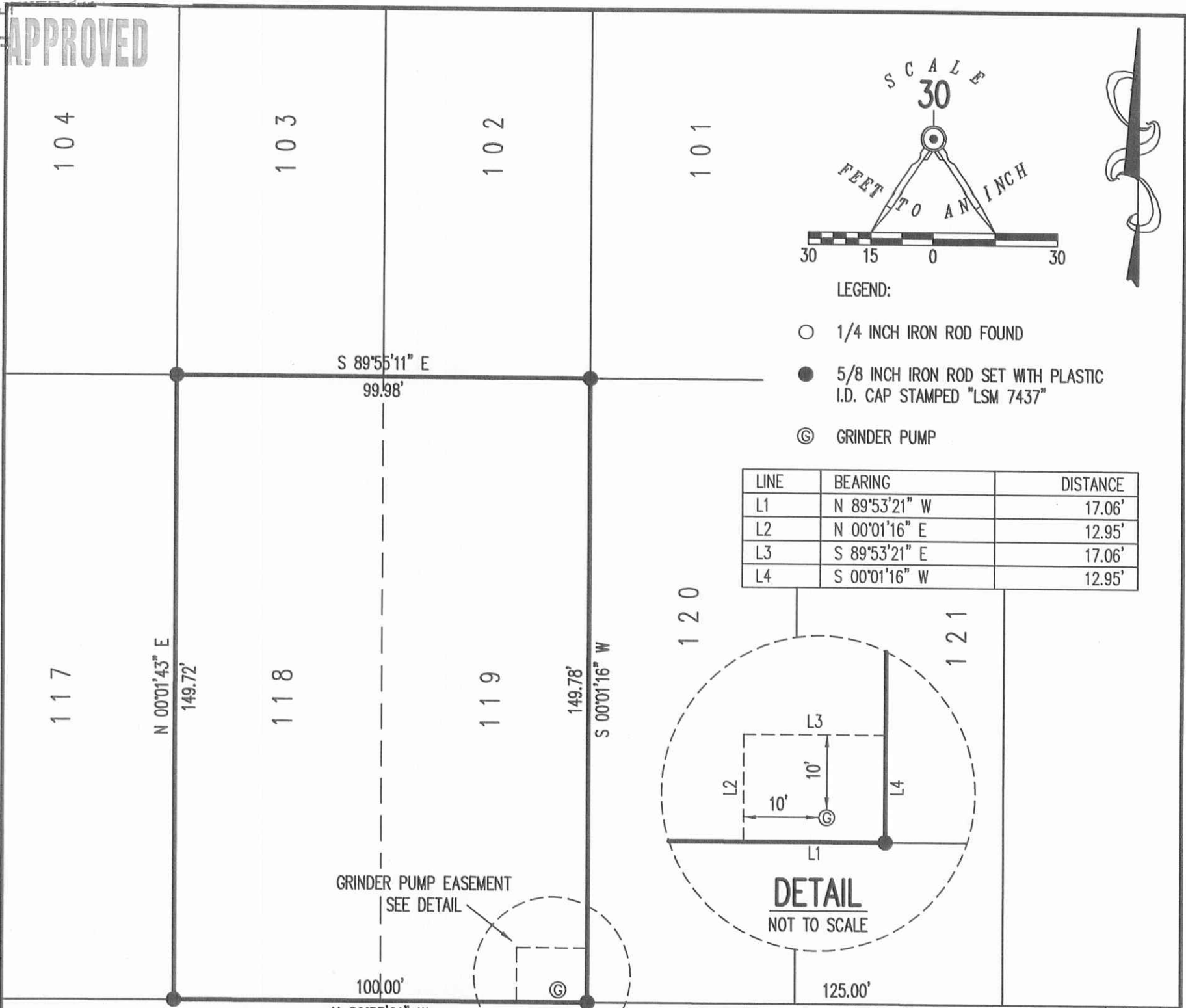
60740216



4-19-16

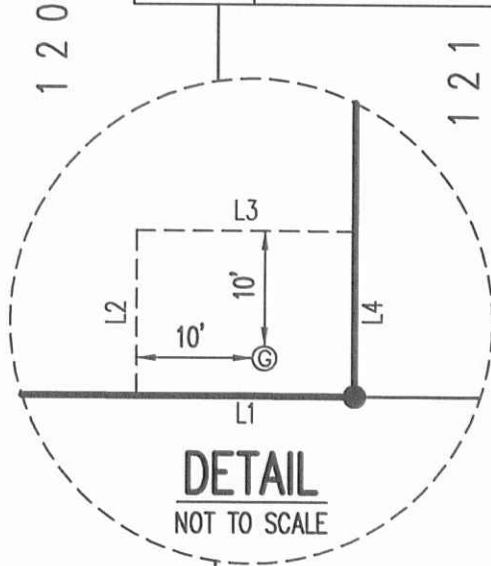


APPROVED



- LEGEND:
- 1/4 INCH IRON ROD FOUND
  - 5/8 INCH IRON ROD SET WITH PLASTIC I.D. CAP STAMPED "LSM 7437"
  - ⊙ GRINDER PUMP

LINE	BEARING	DISTANCE
L1	N 89°53'21" W	17.06'
L2	N 00°01'16" E	12.95'
L3	S 89°53'21" E	17.06'
L4	S 00°01'16" W	12.95'



GRINDER PUMP EASEMENT  
SEE DETAIL

OAK AVENUE (50')

CHERRY LANE

RETRACEMENT SURVEY OF  
 LOTS 118 AND 119 AND  
 SURVEY OF A GRINDER PUMP EASEMENT  
 OVER A PORTION OF  
 LOT 119  
 INDIAN LAKE SHORES ALLOTMENT NO. 1  
 PLAT CABINET A, SLIDE 399  
 RICHLAND TOWNSHIP  
 LOGAN COUNTY, OHIO

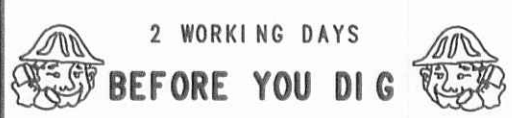
SURVEYED BY:

*William K. Bruce*  
 WILLIAM K. BRUCE  
 PROFESSIONAL SURVEYOR 7437  
 APRIL 7, 2016



COPYRIGHT 2016 BY:  
**LEE SURVEYING & MAPPING CO., INC.**  
 117 North Madriver Street  
 BELLEFONTAINE, OHIO 43311  
 (937) 593-7335  
 WWW.LSMINC.US  
 surveys@lsminc.us  
 KSS D0216 60740216 L-6074-3

THIS SURVEY WAS PREPARED IN THE ABSENCE OF  
 A COMPLETE AND ACCURATE TITLE SEARCH AND  
 DOES NOT GUARANTEE TITLE.



CALL TOLL FREE **800-362-2764**  
 OHIO UTILITIES PROTECTION SERVICE.

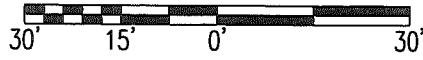
INDEXED ON MAP  
8798 8P

6-1-2020



APPROVED

OAK AVENUE (50')



SCALE: 1" = 30'  
DISTANCES SHOWN HEREON  
ARE IN U.S. SURVEY FEET

DEED & SURVEY REFERENCES:

INDIAN LAKE SHORES ALLOTMENT #1  
PLAT CABINET A, SLIDE 399

LOGAN COUNTY ENGINEER'S MAP ROOM  
FILE: 8798

RETRACEMENT SURVEY

LOTS 143 AND 144  
INDIAN LAKE SHORES ALLOTMENT #1  
PLAT CABINET A, SLIDE 399  
VIRGINIA MILITARY SURVEY 13393  
RICHLAND TOWNSHIP  
LOGAN COUNTY, OHIO

LEGEND:

- ⊕ 1/4 INCH IRON ROD FOUND
- 5/8 INCH IRON ROD FOUND WITH I.D. CAP STAMPED "LSM 7437"
- 5/8 INCH BY 30 INCH IRON ROD SET WITH PLASTIC I.D. CAP STAMPED "DLZ OHIO INC."

R/W = RIGHT-OF-WAY

C/L = CENTER-LINE

CHERRY LANE (50')

S 04°53'17" E 450.07'

N 04°53'17" W 100.04'

N 85°03'04" E 149.91'

145

139

144

140

143

S 85°05'39" W 149.93'

141

142

INDIAN LAKE SHORES  
ALLOTMENT NO. 1  
PLAT CABINET A, SLIDE 399

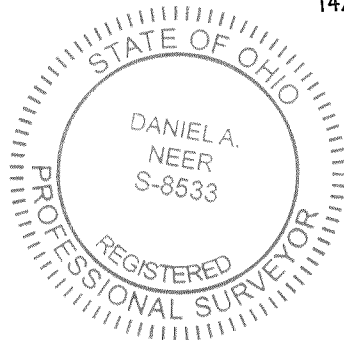
OCCUPATION NOTE:

NO EVIDENCE OF OCCUPATION ALONG  
BOUNDARY LINES UNLESS OTHERWISE SHOWN

BASIS FOR BEARINGS:

BEARINGS AND DISTANCES, SHOWN HEREON,  
ARE DERIVED FROM GPS OBSERVATIONS  
BASED ON GRID NORTH, OHIO STATE PLANE  
COORDINATE SYSTEM, NORTH ZONE, NAD83  
(2011, EPOCH 2010), WITH THE EASTERLY  
RIGHT-OF-WAY LINE OF CHERRY LANE,  
HAVING A BEARING OF N 04°53'17" W.

THIS SURVEY WAS PREPARED IN THE  
ABSENCE OF A COMPLETE AND ACCURATE  
TITLE SEARCH AND DOES NOT GUARANTEE  
TITLE.



*Daniel A. Neer*

DANIEL A. NEER  
PROFESSIONAL SURVEYOR NO. 8533  
MAY 12, 2020

COPYRIGHT 2020 BY:



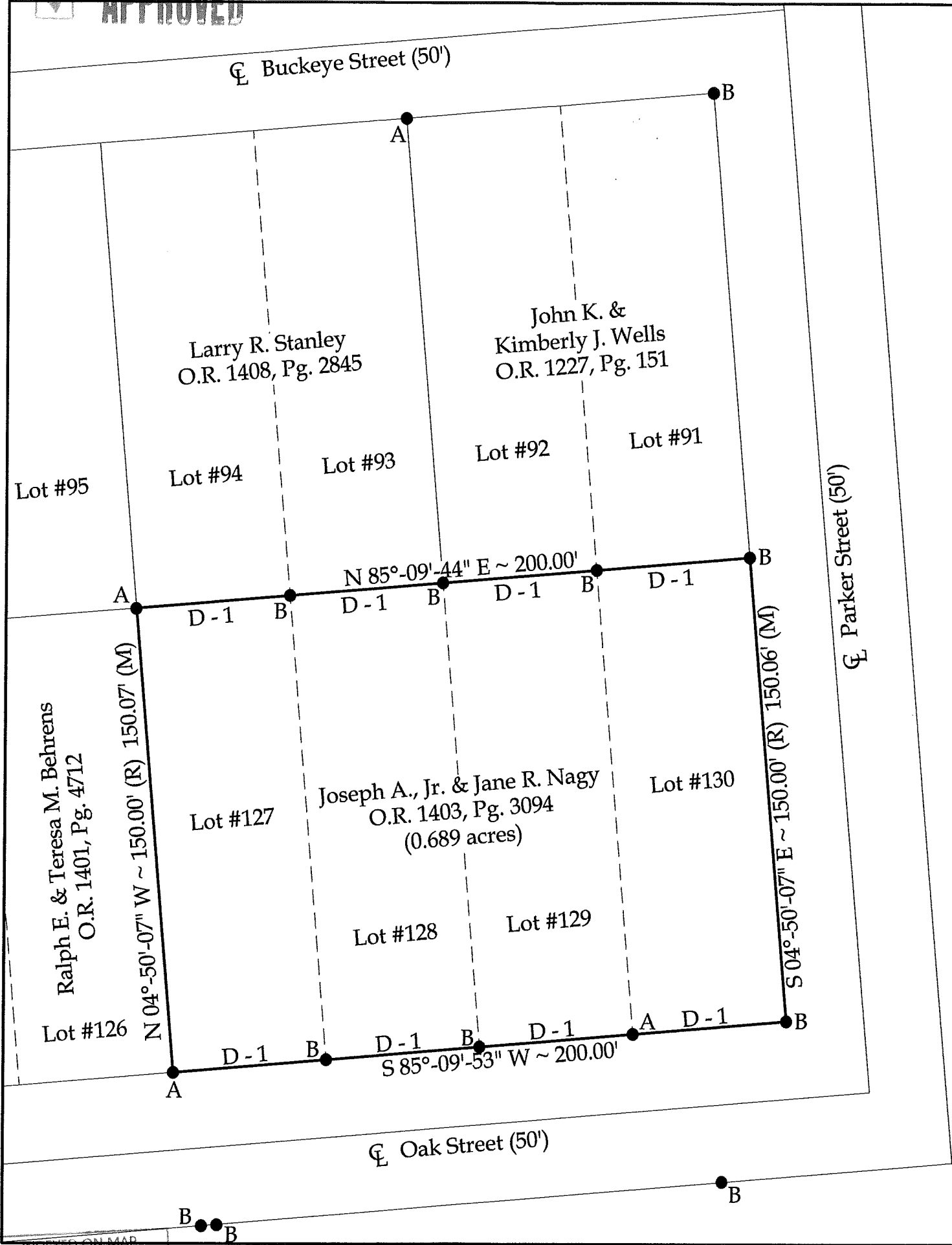
117 N. Madriver Street • Bellefontaine, OH 43311  
(937) 593-7335 • www.dlz.com  
Project #2021-2048.00

DRAWN BY:	DESCRIPTION	REV. NO.	DATE
KSS			5/13/2020

INDEXED ON MAP  
8798

9-26-2022

APPROVED

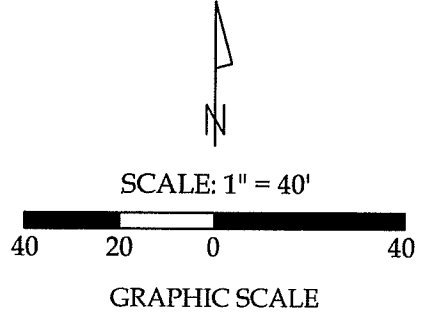


Survey of Parcels #38-006-15-01-037-000, 38-006-15-01-038-000, 38-006-15-01-039-000 & 38-006-15-01-040-000 and being Lots #127 to 130 of Indian Lakeshores Allotment No. 1 (P.C. A, Slide 399) and being a part of Virginia Military Survey 13393, Richland Township, Logan County, Ohio.

(Deed Referenced in O.R. 1403, Pg. 3094)

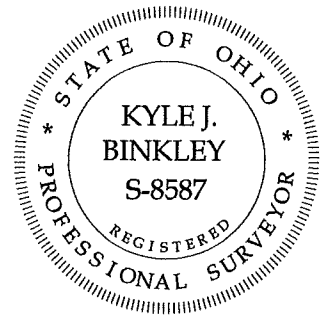
Legend

- A = Existing #4 Rebar
- B = Existing #5 Rebar
- C = Set #5 Rebar



Distance Data

D - 1 = 50.00'



This plat represents an actual boundary survey completed under my direct supervision on September 08, 2022.

*Kyle J. Binkley*  
 Kyle J. Binkley, P.S. #8587

**Binkley**  
 LAND SURVEYING, LLC  
 121 W. Auglaize Street  
 Wapakoneta, Ohio 45895  
 (419) 236-3768

NOTE: All distances on this plat are measured unless otherwise noted.

BASIS OF BEARINGS: The system of bearings for this plat and legal description is based on the Ohio State Plane - North Coordinate System NAD 83 (2011).

CLIENT: Joseph & Jane Nagy			
SURVEYED BY: T.J.S./T.E.W.	DATE: 09-08-2022	DRAWN BY: K.J.B.	CHECKED BY: K.J.B.
SCALE: 1" = 40'	PAGE: 1	OF: 1	PAGES: 1

INDEXED ON MAP  
 8798