

Received 9/30/92 or gch

LESLIE H. GEESLIN

REGISTERED SURVEYOR NO 5248

P. O. BOX 274

RUSHSVLVANIA, OHIO 43347

TELEPHONE: (513) 468-2793

O'CONNOR SURVEY

September 23, 1992

The following described real estate situated in the State of Ohio, County of Logan, Township of Richland, being in the south-east corner of Virginia Military Survey 13393 and more particularly described as follows:

Beginning at a stone found at the southeast corner of said V. M. S. 13393 in the centerline of County Highway 38.

Thence with the south line of V. M. S. 13393 S. 82° 42' 12" W. 211.89 feet to a point.

Thence N. 1° 43' 42" W. 258.06 feet to a 5/8 inch iron bar set, passing a cap and nail set in the centerline of County Highway 254 at 11.50 feet and a 5/8 inch iron bar set at 41.70 feet.

Thence N. 81° 44' 12" E. 187.47 feet to a 5/8 inch iron bar set in the west line of Judith Jutras' 20.96 acre tract as described in O. R. Vol. 116 Page 396.

Thence with said Jutras' west line and the east line of V. M. S. 13393 S. 7° 10' 00" E. 260.00 feet to the place of beginning, passing a 5/8 inch iron bar set at 217.10 feet and a 1/2 inch iron bar found at 245.00 feet.

Containing 1.184 acres more or less, of which 0.209 acre in in the right-of-way of C. H. 254.

The above described 1.184 acre tract being in the southeast corner of O'Connor Farms, Inc.'s 62.00 acre tract as described in D. B. Vol. 353 Page 663.

Bearings are based on a assumed bearing for the east line of V. M. S. 13393 (S. 7° 10' 00" E.) in this field survey by Leslie H. Geeslin.

INDEXED ON MAP
B748

ID

INDEXED ON MAP



Leslie H. Geeslin

O'CONNOR FARMS, INC.
 62.00 AC.
 D.B. VOL. 353 PG 663

VM 6 13393



N. 81° 44' 12" E. 187.47' E

N. 10° 43' 42" W. 258.06'

1.184 AC.

5.7° 10' 00" E 260.00'
 BEARING BASIS

JUDITH JUTRAS
 20.96 AC.
 D.B. VOL. 116 PG 396

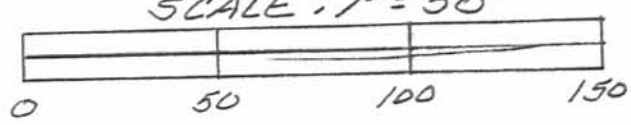
C.H. 254 (60')
 PLAN X 254
 V.M.S. 13393
 V.M.S. 9968

(0.145A)
 S. 81° 44' 12" W. 210.84'
 211.89' (0.064A)
 S. 82° 42' 12" W.

A
 B 65.8' - CH 38
 515.00'
 V.M.S. 12278-12311
 V.M.S. 9969

- LEGEND:
- A = RR. SPIKE FD
 - B = 1/2" IRON BAR FD
 - C = STONE FD
 - D = CAP & NAIL SET
 - E = 3/8" IRON BAR SET

SURVEY OF 1.184 AC. TRACT IN
 V.M.S. 13393, RICHLAND TOWNSHIP,
 LOGAN COUNTY, OHIO F012
 O'CONNOR FARMS, INC.
 SEPTEMBER 23, 1992
 SCALE: 1" = 50'



Leslie H. Geeslin
 LESLIE H. GEESLIN
 RUSHSVLVANIA, OHIO
 CH 513-168-7799

INDEXED ON MAP
 8748

1P

REC'D 2-1-08 SML/ak

Lee Surveying and Mapping Co., Inc.

Land Surveys • Topography • Subdivisions • Construction Layout

117 N. Madriver St.
Bellefontaine OH 43311



Phone: (937) 593-7335
Fax: (937) 593-7444

INDIAN LAKE RESERVOIR LANDS 0.663 ACRE

Lying in Virginia Military Survey 13393, Richland Township, Logan County, Ohio.

Being out of the Indian Lake Reservoir Lands and being more particularly described as follows:

Beginning on a 5/8 inch iron rod set on the southeast corner of Lot 39 of the O'Connor Allotment (Plat Cabinet A, Slide 273).

THENCE, with the east line of the John Boettcher 0.154 acre tract (O.R. 515, Pg. 174), N 20°-13'-05"W, a distance of 66.86 feet to a point on the end of a concrete seawall.

THENCE, with the shore line of Indian Lake, the following eleven courses:

S 39°-14'-22"E, a distance of 20.09 feet to a point.

S 59°-22'-01"E, a distance of 40.67 feet to a point, referenced by a 5/8 inch iron rod set bearing S 42°-54'-57"W, a distance of 0.90 feet.

S 59°-21'-58"E, a distance of 25.10 feet to a point, referenced by a 5/8 inch iron rod set bearing N 71°-23'-01"E, a distance of 1.00 feet.

N 18°-36'-25"W, a distance of 58.74 feet to a point, referenced by a 5/8 inch iron rod set bearing N 71°-23'-01"E, a distance of 1.00 feet.

N 12°-53'-30"W, a distance of 110.65 feet to a point, referenced by a 5/8 inch iron rod set bearing S 87°-35'-33"E, a distance of 1.00 feet.

N 2°-26'-11"E, a distance of 88.40 feet to a point, referenced by a 5/8 inch iron rod set bearing S 87°-32'-07"E, a distance of 1.00 feet.

N 23°-20'-17"E, a distance of 69.47 feet to a point, referenced by a 5/8 inch iron rod set bearing S 11°-57'-02"W, a distance of 1.00 feet.

S 13°-04'-55"E, a distance of 110.50 feet to a point, referenced by a 5/8 inch iron rod set bearing S 76°-52'-51"W, a distance of 1.00 feet.

N 52°-50'-34"E, a distance of 106.64 feet to a point, referenced by a 5/8 inch iron rod set bearing S 52°-14'-08"E, a distance of 1.00 feet.

N 37°-46'-13"E, a distance of 99.18 feet to a point, referenced by a 5/8 inch iron rod set bearing S 25°-43'-10"E, a distance of 1.00 feet.

S 70°-42'-37"E, a distance of 38.20 feet to a point on the State Line.

THENCE, with the State Line and the lines of the O'Connor Farms, Inc., 62.40 acre tract (Vol. 353, Pg. 663, Tract I), the following four courses:

S 71°-40'-21"W, a distance of 8.20 feet to a 5/8 inch iron rod set at Corner 12, Station 281+32 (Wonders Line Field Notes, Book 1, Pages 45-51).

S 36°-07'-01"W, a distance of 247.50 feet to a point.

S 8°-40'-15"W, a distance of 202.31 feet to a 5/8 inch iron rod set at Wonders Line Station 276+94.9.

N 48°-58'-43"W, a distance of 45.66 feet to a 5/8 inch iron rod set on the east line of O'Conner Allotment.



Lee Surveying and Mapping Co., Inc.

Land Surveys • Topography • Subdivisions • Construction Layout

117 N. Madriver St.
Bellefontaine OH 43311



Phone: (937) 593-7335
Fax: (937) 593-7444

THENCE, with the east line of O'Connor Allotment, N 47°-05'-03"W, a distance of 30.37 feet to the point of beginning.

Containing 0.663 acre.

The basis for bearings is the south line of Virginia Military Survey 13393, being S 82°-55'-21"W, and all other bearings are from angles and distances measured in a field survey by Lee Surveying and Mapping Co., Inc. on December 14, 2007 and January 29, 2008.



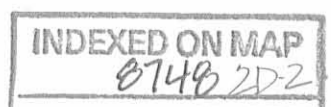
ORIGINAL STAMP IN GREEN

Description prepared by:

A handwritten signature in cursive script that reads 'William K. Bruce'.

William K. Bruce
Professional Surveyor 7437
January 29, 2008

1153117

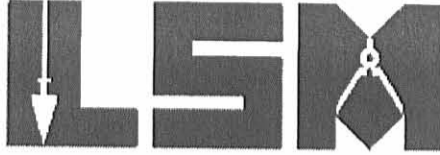


REC'D 2-1-08 SMY OK

Lee Surveying and Mapping Co., Inc.

Land Surveys • Topography • Subdivisions • Construction Layout

117 N. Madriver St.
Bellefontaine OH 43311



Phone: (937) 593-7335
Fax: (937) 593-7444

O'CONNOR FARMS, INC. 57.079 ACRES

Lying in Virginia Military Survey 13393, Richland Township, Logan County, Ohio.

Being all of the remainder of the O'Connor Farms, Inc. 62.40 acre tract as deeded and described in Volume 353, Page 663, Tract I of the Logan County Record of Deeds and being more particularly described as follows:

Commencing on a stone found in a monument box at the southeast corner of Virginia Military Survey 13393 on the center-line of County Highway 38.

THENCE, with the south line of Virginia Military Survey 13393 and within the right-of-way of County Highway 254 (60 feet wide), S 82°-55'-21"W, a distance of 211.80 feet to a MAG spike set at the TRUE POINT OF BEGINNING.

THENCE, with the south line of Virginia Military Survey 13393 and within the right-of-way of County Highway 254, S 82°-55'-21"W, a distance of 1706.83 feet to a MAG spike set, passing MAG spikes set at 1157.44 feet and 1334.63 feet.

THENCE, with the east line of O'Connor Allotment (Plat Cabinet A, Slide 273), the following five courses:

N 7°-11'-40"W, a distance of 697.91 feet to a 5/8 inch iron rod set, passing a MAG spike set on the center-line of County Highway 254 at 3.71 feet and a 1 inch iron pipe found at 33.71 feet.

With a curve to the right, having a central angle of 17°-00'-39", a radius of 896.92 feet, an arc length of 266.29 feet, a chord bearing N 1°-19'-56"E, a distance of 265.31 feet to a 2 inch iron pipe found.

With a curve to the right, having a central angle of 61°-46'-52", a radius of 325.82 feet, an arc length of 351.33 feet, a chord bearing N 40°-40'-17"E, a distance of 334.55 feet to a 5/8 inch iron rod set.

N 18°-26'-18"W, a distance of 145.00 feet to a 1-1/2 inch iron pipe found, passing a 5/8 inch iron rod set at 120.00 feet.

With a curve to the right, having a central angle of 6°-59'-05", a radius of 470.82 feet, an arc length of 57.40 feet, a chord bearing N 75°-03'-15"E, a distance of 57.36 feet to a 5/8 inch iron rod set on the State Line.

THENCE, with the State Line, the following four courses

S 48°-58'-43"E, a distance of 45.66 feet to a 5/8 inch iron rod set at Station 276+94.9 (Wonders Line Field Notes, Book 1, Pages 45-51).

N 8°-40'-15"E, a distance of 202.31 feet to a point.

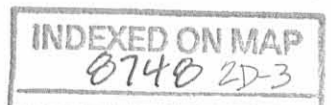
N 36°-07'-01"E, a distance of 247.50 feet to a 5/8 inch iron rod set at Corner 12, Wonders Line Station 281+32.

N 71°-40'-21"E, a distance of 8.20 feet to a point on the shore line of Indian Lake.

THENCE, with the shore line of Indian Lake, the following two courses:

S 70°-42'-37"E, a distance of 41.26 feet to a point, referenced by a 5/8 inch iron rod set bearing S 76°-27'-51"E, a distance of 1.00 feet.

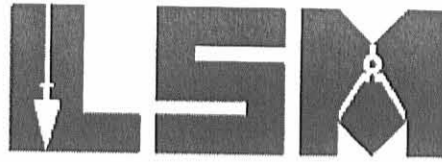
N 13°-34'-32"E, a distance of 29.67 feet to a point on the State Line.



Lee Surveying and Mapping Co., Inc.

Land Surveys • Topography • Subdivisions • Construction Layout

117 N. Madriver St.
Bellefontaine OH 43311



Phone: (937) 593-7335
Fax: (937) 593-7444

THENCE, with the State Line, the following four courses:

N 71°-40'-21"E, a distance of 50.60 feet to a point.

S 30°-17'-18"E, a distance of 246.70 feet to a point.

S 28°-14'-55"E, a distance of 315.85 feet to a 5/8 inch iron rod set at Corner 13, Wonders Line Station 287+24.

N 1°-10'-20"E, a distance of 366.91 feet to a point on the shore line of Indian Lake.

THENCE, with the shore line of Indian Lake, S 67°-51'-37"E, a distance of 129.89 feet to a point on the State Line.

THENCE, with the State Line, the following five courses:

S 49°-41'-18"E, a distance of 117.56 feet to a point.

S 86°-14'-20"E, a distance of 263.52 feet to a 5/8 inch iron rod set at Wonders Line Station 292++54.3.

N 83°-18'-15"E, a distance of 235.86 feet to a point.

S 89°-53'-40"E, a distance of 55.26 feet to a point.

S 77°-34'-01"E, a distance of 242.49 feet to a 5/8 inch iron rod set at Wonders Line Station 297+84.2.

THENCE, with the south line of a tract of unknown ownership, S 87°-18'-03"E, a distance of 13.10 feet to a 5/8 inch iron rod set on the east line of Virginia Military Survey 13393.

THENCE, with the east line of Virginia Military Survey 13393 and the west line of the James David Duff 2.007 acre tract (O.R. 835, Pg. 854, Tract II), S 6°-57'-56"E, a distance of 988.12 feet to a 5/8 inch iron rod found.

THENCE, with the lines of the William A. McDaniel 1.184 acre tract (O.R. 377, Pg. 548), the following two courses:

S 81°-56'-05"W, a distance of 187.28 feet to a 5/8 inch iron rod found.

S 1°-30'-14"E, a distance of 257.95 feet to the point of beginning, passing a 5/8 inch iron rod found at 216.29 feet and a PK nail found on the center-line of County Highway 254 at 246.47 feet.

EXCEPTING THEREFROM the following described tract:

Lying in Virginia Military Survey 13393, Richland Township, Logan County, Ohio.

Being all of the Charles Harvey Monteith one acre tract as deeded and described in Volume 236, Page 597 and the Anthony D. Losh 1.00 acre tract as deeded and described in Official Record 322, Page 526 of the Logan County Records of Deeds and being more particularly described as follows:

Commencing on a stone found in a monument box at the southeast corner of Virginia Military Survey 13393 on the center-line of County Highway 38.

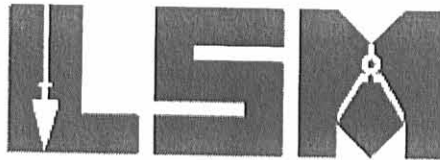
THENCE, with the south line of Virginia Military Survey 13393 and within the right-of-way of County Highway 254 (60 feet wide), S 82°-55'-21"W, a distance of 1369.24 feet to a MAG spike set, passing a MAG spike set at 211.80 feet.

INDEXED ON MAP
8748 2D-4

Lee Surveying and Mapping Co., Inc.

Land Surveys • Topography • Subdivisions • Construction Layout

117 N. Madriver St.
Bellefontaine OH 43311



Phone: (937) 593-7335
Fax: (937) 593-7444

THENCE, N 5°-31'-27"W, a distance of 4.84 feet to a MAG spike set on the center-line of County Highway 254 at the TRUE POINT OF BEGINNING.

THENCE, with the center-line of County Highway 254, S 82°-48'-19"W, a distance of 177.20 feet to a point, referenced by a railroad spike found bearing S 5°-31'-27"E, a distance of 0.33 feet.

THENCE, with the lines of the O'Connor Farms, Inc., 62.40 acre tract (Vol. 353, Pg. 663, Tract I), the following three courses:

N 5°-31'-27"W, a distance of 491.67 feet to a 5/8 inch iron rod set, passing a 5/8 inch iron rod found at 30.12 feet.

N 82°-49'-33"E, a distance of 177.20 feet to a 1 inch iron pipe found.

S 5°-31'-27"E, a distance of 491.60 feet to the point of beginning, passing a 5/8 inch iron rod set at 461.59 feet.

Containing 1.999 acres.

Containing, after said exception, 57.079 acres, of which 1.527 acres are within the highway right-of-way.

The basis for bearings is the south line of Virginia Military Survey 13393, being S 82°-55'-21"W, and all other bearings are from angles and distances measured in a field survey by Lee Surveying and Mapping Co., Inc. on December 14, 2007 and January 29, 2008.



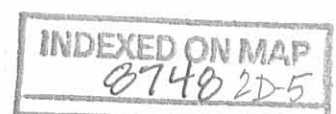
ORIGINAL STAMP IN GREEN

Description prepared by:

A handwritten signature in black ink that reads 'William K. Bruce'.

William K. Bruce
Professional Surveyor 7437
January 29, 2008

1153117

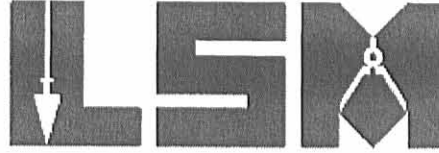


REC'D 2-1-08 SML

Lee Surveying and Mapping Co., Inc.

Land Surveys • Topography • Subdivisions • Construction Layout

117 N. Madriver St.
Bellefontaine OH 43311



Phone: (937) 593-7335
Fax: (937) 593-7444

INDIAN LAKE RESERVOIR LANDS LOT NO. 46-487 4.805 ACRES

Lying in Virginia Military Survey 13393, Richland Township, Logan County, Ohio.

Being all of the Indian Lake Reservoir Lands Lot No. 46-487 as recorded in Plat Cabinet A, Slide 481 of the Logan County Records of Plats and being more particularly described as follows:

Commencing on a stone found in a monument box at the southeast corner of Virginia Military Survey 13393 on the center-line of County Highway 38.

THENCE, with the east line of Virginia Military Survey 13393, N 6°-57'-56"W, a distance of 2042.78 feet to a 5/8 inch iron rod found on the State Line at the TRUE POINT OF BEGINNING.

THENCE, with the State Line and an easterly line of the James David Duff 6.100 acre tract (O.R. 835, Pg. 854, Tract IV), N 34°-19'-58"W, a distance of 69.05 feet to a 5/8 inch iron rod found.

THENCE, with the State Line and a tract of unknown ownership, the following four courses:

N 34°-19'-58"W, a distance of 124.45 feet to a 5/8 inch iron rod set at Station 309+71.2 (Wonders Line Field Notes, Book 1, Pages 45-51).

S 41°-49'-03"W, a distance of 315.20 feet to a 5/8 inch iron rod set.

S 48°-55'-04"W, a distance of 146.10 feet to a 5/8 inch iron rod set.

S 34°-19'-03"W, a distance of 24.00 feet to a 5/8 inch iron rod found.

THENCE, with the State Line and the lines of the aforesaid 6.100 acre tract, the following two courses:

S 34°-19'-03"W, a distance of 273.00 feet to a 5/8 inch iron rod found.

S 46°-34'-11"E, a distance of 140.15 feet to a point, referenced by a 5/8 inch iron rod set bearing N 11°-26'-37"E, a distance of 10.00 feet.

THENCE, with the original platted lot line of said Lot No. 46-487 and previous shore line of Indian Lake, the following twelve courses:

N 78°-33'-31"W, a distance of 75.54 feet to a point, referenced by a square iron bar found bearing N 16°-33'-15"W, a distance of 11.73 feet.

S 72°-45'-04"W, a distance of 108.73 feet to a point, referenced by a 5/8 inch iron rod set bearing N 1°-19'-33"W, a distance of 20.66 feet.

N 73°-15'-56"W, a distance of 124.32 feet to a point, referenced by a 5/8 inch iron rod set bearing N 2°-23'-12"W, a distance of 15.13 feet.

N 65°-02'-56"W, a distance of 161.43 feet to a point, referenced by a 5/8 inch iron rod set bearing N 24°-57'-07"E, a distance of 20.00 feet.

N 49°-12'-56"W, a distance of 98.59 feet to a point, referenced by a 5/8 inch iron rod set bearing N 54°-36'-52"E, a distance of 25.00 feet.

N 3°-09'-02"E, a distance of 31.15 feet to a point, referenced by a 5/8 inch iron rod set bearing S 48°-18'-52"E, a distance of 25.00 feet.

INDEXED ON MAP
8748 2D⁶

Lee Surveying and Mapping Co., Inc.

Land Surveys • Topography • Subdivisions • Construction Layout

117 N. Madriver St.
Bellefontaine OH 43311



Phone: (937) 593-7335
Fax: (937) 593-7444

N 66°-36'-04"E, a distance of 371.20 feet to a point, referenced by a 5/8 inch iron rod set bearing S 32°-08'-54"E, a distance of 20.00 feet.

N 57°-51'-05"E, a distance of 80.33 feet to a point, referenced by a 5/8 inch iron rod set bearing S 8°-38'-35"E, a distance of 5.24 feet.

N 52°-25'-03"E, a distance of 145.24 feet to a point, referenced by a 5/8 inch iron rod set bearing S 42°-26'-38"W, a distance of 27.10 feet.

N 45°-17'-37"E, a distance of 321.57 feet to a point, referenced by a 5/8 inch iron rod set bearing S 55°-07'-02"E, a distance of 5.62 feet.

N 55°-12'-05"E, a distance of 171.00 feet to a point, referenced by a 5/8 inch iron rod set bearing N 62°-47'-32"W, a distance of 22.56 feet.

N 88°-08'-04"E, a distance of 85.06 feet to a point on the east line of Virginia Military Survey 13393.

THENCE, with the east line of Virginia Military Survey 13393, S 6°-57'-56"E, a distance of 276.72 feet to the point of beginning, passing a 5/8 inch iron rod set at 19.50 feet.

Containing 4.805 acres.

The basis for bearings is the south line of Virginia Military Survey 13393, being S 82°-55'-21"W, and all other bearings are from angles and distances measured in a field survey by Lee Surveying and Mapping Co., Inc. on December 14, 2007.



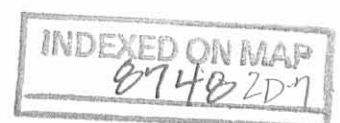
ORIGINAL STAMP IN GREEN

Description prepared by:

A handwritten signature in black ink that reads 'William K. Bruce'.

William K. Bruce
Professional Surveyor 7437
December 18, 2007

1153117

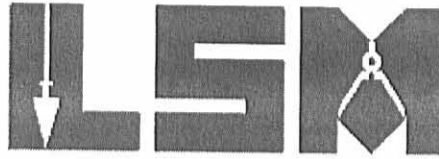


REV'D 2-1-08 SMY BK

Lee Surveying and Mapping Co., Inc.

Land Surveys • Topography • Subdivisions • Construction Layout

117 N. Madriver St.
Bellefontaine OH 43311



Phone: (937) 593-7335
Fax: (937) 593-7444

INDIAN LAKE RESERVOIR LANDS LOT NO. 46-488 0.244 ACRE

Lying in Virginia Military Survey 13393, Richland Township, Logan County, Ohio.

Being all of the Indian Lake Reservoir Lands Lot No. 46-488 as recorded in Plat Cabinet A, Slide 481 of the Logan County Records of Plats and being more particularly described as follows:

Commencing on a stone found in a monument box at the southeast corner of Virginia Military Survey 13393 on the center-line of County Highway 38.

THENCE, with the east line of Virginia Military Survey 13393, N 6°-57'-56"W, a distance of 1280.28 feet to a 3 inch iron pipe found.

THENCE, with the lines of the James David Duff 0.734 acre tract (O.R. 835, Pg. 854, Tract V), the following two courses:

N 87°-54'-52"W, a distance of 38.12 feet to a point, referenced by a 5/8 inch iron rod set on the State Line at Station 297+84.2 (Wonders Line Field Notes, Book 1, Pages 45-51) bearing S 41°-26'-55"E, a distance of 43.67 feet.

N 41°-26'-55"W, a distance of 182.84 feet to a point on the shore line of Indian Lake at the TRUE POINT OF BEGINNING, passing a 5/8 inch iron rod set at 34.84 feet.

THENCE, with the shore line of Indian Lake, N 75°-46'-35"W, a distance of 289.18 feet to a point on the State Line.

THENCE, with the State Line and the south line of a tract of unknown ownership, S 84°-39'-54"E, a distance of 44.18 feet to a point at Wonders Line Station 302+34.3.

THENCE, with the State Line and the south line of a tract of unknown ownership, N 73°-20'-04"E, a distance of 31.23 feet to a 5/8 inch iron rod found.

THENCE, with the State Line and the southerly lines of the James David Duff 6.100 acre tract (O.R. 835, Pg. 854, Tract IV), the following two courses:

N 73°-20'-04"E, a distance of 115.07 feet to a 5/8 inch iron rod found.

S 41°-26'-55"E, a distance of 145.29 feet to the point of beginning.

Containing 0.244 acre.

The basis for bearings is the south line of Virginia Military Survey 13393, being S 82°-55'-21"W, and all other bearings are from angles and distances measured in a field survey by Lee Surveying and Mapping Co., Inc. on December 14, 2007.

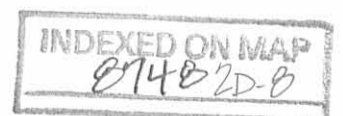


ORIGINAL STAMP IN GREEN

Description prepared by:

William K. Bruce
Professional Surveyor 7437
December 31, 2007

1153117



REV ID 2-1-08 SWM/AL

Lee Surveying and Mapping Co., Inc.

Land Surveys • Topography • Subdivisions • Construction Layout

117 N. Madriver St.
Bellefontaine OH 43311



Phone: (937) 593-7335
Fax: (937) 593-7444

INDIAN LAKE RESERVOIR LANDS LOT NO. 46-489 0.111 ACRE

Lying in Virginia Military Survey 13393, Richland Township, Logan County, Ohio.

Being all of the Indian Lake Reservoir Lands Lot No. 46-489 as recorded in Plat Cabinet A, Slide 481 of the Logan County Records of Plats and being more particularly described as follows:

Commencing on a stone found in a monument box at the southeast corner of Virginia Military Survey 13393 on the center-line of County Highway 38.

THENCE, with the east line of Virginia Military Survey 13393, N 6°-57'-56"W, a distance of 1280.28 feet to a 3 inch iron pipe found.

THENCE, with the south line of the James David Duff 0.734 acre tract (O.R. 835, Pg. 854, Tract V), N 87°-54'-52"W, a distance of 38.12 feet to a point at the TRUE POINT OF BEGINNING, referenced by a 5/8 inch iron rod set on the State Line at Station 297+84.2 (Wonders Line Field Notes, Book 1, Pages 45-51) bearing S 41°-26'-55"E, a distance of 43.67 feet.

THENCE, within the Indian Lake Reservoir Lands, the following two courses:

N 87°-54'-52"W, a distance of 129.01 feet to a 5/8 inch iron rod set.

N 8°-17'-26"E, a distance of 62.69 feet to a point on the shore line of Indian Lake.

THENCE, with the shore line of Indian Lake, S 67°-14'-34"E, a distance of 105.00 feet to a 5/8 inch iron rod set.

THENCE, with the State Line and the west line of the aforesaid 0.734 acre tract, S 41°-26'-55"E, a distance of 34.84 feet to the point of beginning.

Containing 0.111 acre.

The basis for bearings is the south line of Virginia Military Survey 13393, being S 82°-55'-21"W, and all other bearings are from angles and distances measured in a field survey by Lee Surveying and Mapping Co., Inc. on December 14, 2007.



ORIGINAL STAMP IN GREEN

Description prepared by:

William K. Bruce
Professional Surveyor 7437
December 31, 2007

1153117



REC'D 2-1-08 SMJ/OL

Lee Surveying and Mapping Co., Inc.

Land Surveys • Topography • Subdivisions • Construction Layout

117 N. Madriver St.
Bellefontaine OH 43311



Phone: (937) 593-7335
Fax: (937) 593-7444

INDIAN LAKE RESERVOIR LANDS 1.901 ACRES

Lying in Virginia Military Survey 13393, Richland Township, Logan County, Ohio.

Being out of the Indian Lake Reservoir Lands and being more particularly described as follows:

Commencing on a stone found in a monument box at the southeast corner of Virginia Military Survey 13393 on the center-line of County Highway 38.

THENCE, with the east line of Virginia Military Survey 13393, N 6°-57'-56"W, a distance of 1248.08 feet to a 5/8 inch iron rod set.

THENCE, with the south line of a tract of unknown ownership and the northerly line of the O'Connor Farms, Inc., 62.40 acre tract (Vol. 353, Pg. 663, Tract I), N 87°-18'-03"W, a distance of 13.10 feet to a 5/8 inch iron rod set on the State Line at Station 297+84.2 (Wonders Line Field Notes, Book 1, Pages 45-51) at the TRUE POINT OF BEGINNING.

THENCE, with the State Line and the said 62.40 acre tract, the following five courses

N 77°-34'-01"W, a distance of 242.49 feet to a point.

N 89°-53'-40"W, a distance of 55.26 feet to a point.

S 83°-18'-15"W, a distance of 235.86 feet to a 5/8 inch iron rod set at Wonders Line Station 292+54.3.

N 86°-14'-20"W, a distance of 263.52 feet to a point.

N 49°-41'-18"W, a distance of 117.56 feet to a point on the shore line of Indian Lake.

THENCE, with the shore line of Indian Lake, the following five courses:

S 67°-51'-37"E, a distance of 126.26 feet to a point, referenced by a 5/8 inch iron rod set bearing S 22°-08'-21"W, a distance of 20.00 feet.

N 73°-47'-04"E, a distance of 111.58 feet to a point, referenced by a 5/8 inch iron rod set bearing S 12°-38'-22"W, a distance of 64.24 feet.

N 12°-38'-22"E, a distance of 155.44 feet to a point, referenced by a 5/8 inch iron rod set bearing S 28°-53'-05"E, a distance of 2.00 feet.

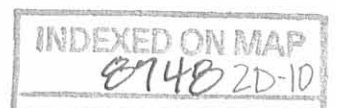
S 73°-52'-12"E, a distance of 352.11 feet to a point, referenced by a 5/8 inch iron rod set bearing S 16°-08'-32"W, a distance of 2.00 feet.

S 67°-14'-34"E, a distance of 145.06 feet to a point on the west line of Indian Lake Reservoir Lands Lot No. 46-489 (Plat Cabinet A, Slide 481).

THENCE, with the lines of the Indian Lake Reservoir Lands Lot No. 46-489, the following two courses:

S 8°-17'-26"W, a distance of 62.69 feet to a 5/8 inch iron rod set.

S 87°-54'-52"E, a distance of 129.01 feet to a point, referenced by a 3 inch iron pipe found bearing S 87°-54'-52"E, a distance of 38.12 feet.



Lee Surveying and Mapping Co., Inc.

Land Surveys • Topography • Subdivisions • Construction Layout

117 N. Madriver St.
Bellefontaine OH 43311



Phone: (937) 593-7335
Fax: (937) 593-7444

THENCE, with the west line of a tract of unknown ownership, S 41°-26'-55"E, a distance of 43.67 feet to the point of beginning.

Containing 1.901 acres.

The basis for bearings is the south line of Virginia Military Survey 13393, being S 82°-55'-21"W, and all other bearings are from angles and distances measured in a field survey by Lee Surveying and Mapping Co., Inc. on December 14, 2007 and January 29, 2008.



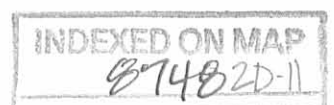
ORIGINAL STAMP IN GREEN

Description prepared by:

A handwritten signature in black ink that reads 'William K. Bruce'.

William K. Bruce
Professional Surveyor 7437
January 29, 2008

1153117



REV'D 2-1-00 SMM/OK

Lee Surveying and Mapping Co., Inc.

Land Surveys • Topography • Subdivisions • Construction Layout

117 N. Madriver St.
Bellefontaine OH 43311



Phone: (937) 593-7335
Fax: (937) 593-7444

INDIAN LAKE RESERVOIR LANDS 1.000 ACRES

Lying in Virginia Military Survey 13393, Richland Township, Logan County, Ohio.

Being out of the Indian Lake Reservoir Lands and being more particularly described as follows:

Commencing on a 5/8 inch iron rod set on the southeast corner of Lot 39 of the O'Connor Allotment (Plat Cabinet A, Slide 273).

THENCE, with the east line of O'Connor Allotment, S 47°-05'-03"E, a distance of 30.37 feet to a 5/8 inch iron rod set on the State Line.

THENCE, with the State Line, the following four courses

S 48°-58'-43"E, a distance of 45.66 feet to a 5/8 inch iron rod set at Station 276+94.9 (Wonders Line Field Notes, Book 1, Pages 45-51).

N 8°-40'-15"E, a distance of 202.31 feet to a point.

N 36°-07'-01"E, a distance of 247.50 feet to a 5/8 inch iron rod set at Corner 12, Wonders Line Station 281+32.

N 71°-40'-21"E, a distance of 8.20 feet to a point on the shore line of Indian Lake.

THENCE, with the shore line of Indian Lake, the following two courses:

S 70°-42'-37"E, a distance of 41.26 feet to a point, referenced by a 5/8 inch iron rod set bearing S 76°-27'-51"E, a distance of 1.00 feet.

N 13°-34'-32"E, a distance of 29.67 feet to a point on the State Line at the TRUE POINT OF BEGINNING.

THENCE, with the shore line of Indian Lake, the following nine courses:

N 13°-34'-32"E, a distance of 90.74 feet to a point, referenced by a 5/8 inch iron rod set bearing S 33°-24'-14"E, a distance of 1.00 feet.

S 78°-25'-41"E, a distance of 61.60 feet to a point, referenced by a 5/8 inch iron rod set bearing S 51°-32'-13"W, a distance of 1.00 feet.

S 38°-28'-31"E, a distance of 188.13 feet to a point, referenced by a 5/8 inch iron rod set bearing S 53°-00'-15"W, a distance of 1.00 feet.

S 35°-34'-13"E, a distance of 61.76 feet to a point, referenced by a 5/8 inch iron rod set bearing S 54°-24'-09"W, a distance of 1.00 feet.

S 11°-10'-51"E, a distance of 264.08 feet to a point, referenced by a 5/8 inch iron rod set bearing N 79°-50'-46"W, a distance of 27.20 feet.

S 79°-50'-46"E, a distance of 8.76 feet to a point, referenced by a 5/8 inch iron rod set bearing S 79°-50'-46"E, a distance of 50.72 feet.

N 3°-39'-14"E, a distance of 45.10 feet to a point, referenced by a 5/8 inch iron rod set bearing S 83°-48'-11"E, a distance of 40.00 feet.

N 4°-02'-11"E, a distance of 235.66 feet to a point, referenced by a 5/8 inch iron rod set bearing S 22°-51'-36"E, a distance of 12.00 feet.

S 67°-51'-37"E, a distance of 16.78 feet to a point on the State Line.



Lee Surveying and Mapping Co., Inc.

Land Surveys • Topography • Subdivisions • Construction Layout

117 N. Madriver St.
Bellefontaine OH 43311



Phone: (937) 593-7335
Fax: (937) 593-7444

THENCE, with the State Line and the lines of the O'Connor Farms, Inc., 62.40 acre tract (Vol. 353, Pg. 663, Tract I), the following four courses:

S 1°-10'-20"W, a distance of 366.91 feet to a 5/8 inch iron rod set at Corner 13, Wonders Line Station 287+24.

N 28°-14'-55"W, a distance of 315.85 feet to a point.

N 30°-17'-18"W, a distance of 246.70 feet to a point.

S 71°-40'-21"W, a distance of 50.60 feet to the point of beginning.

Containing 1.000 acres.

The basis for bearings is the south line of Virginia Military Survey 13393, being S 82°-55'-21"W, and all other bearings are from angles and distances measured in a field survey by Lee Surveying and Mapping Co., Inc. on December 14, 2007 and January 29, 2008.



Description prepared by:

A handwritten signature in black ink that reads 'William K. Bruce'.

William K. Bruce
Professional Surveyor 7437
January 29, 2008

1153117



REV'D 2-1-08 SMM OK

Lee Surveying and Mapping Co., Inc.

Land Surveys • Topography • Subdivisions • Construction Layout

117 N. Madriver St.
Bellefontaine OH 43311



Phone: (937) 593-7335
Fax: (937) 593-7444

INDIAN LAKE RESERVOIR LANDS 1.604 ACRES

Lying in Virginia Military Survey 12278-12311, Richland Township, Logan County, Ohio.

Being out of the Indian Lake Reservoir Lands and being more particularly described as follows:

Commencing on a stone found in a monument box at the southeast corner of Virginia Military Survey 13393 on the center-line of County Highway 38.

THENCE, with the east line of Virginia Military Survey 13393, N 6°-57'-56"W, a distance of 2042.78 feet to a 5/8 inch iron rod found on the State Line at the TRUE POINT OF BEGINNING.

THENCE, with the east line of Virginia Military Survey 13393, N 6°-57'-56"W, a distance of 191.02 feet to a point on the shore line of Indian Lake, referenced by a 5/8 inch iron rod set bearing N 6°-57'-56"W, a distance of 66.20 feet.

THENCE, with the shore line of Indian Lake, the following seven courses:

S 42°-43'-40"E, a distance of 69.65 feet to a point, referenced by a 5/8 inch iron rod set bearing S 38°-12'-22"W, a distance of 20.00 feet.

S 51°-47'-39"E, a distance of 151.77 feet to a point, referenced by a 5/8 inch iron rod set bearing S 65°-18'-07"W, a distance of 20.00 feet.

S 24°-41'-48"E, a distance of 79.53 feet to a point, referenced by a 5/8 inch iron rod set bearing S 59°-01'-24"W, a distance of 10.00 feet.

S 30°-58'-36"E, a distance of 98.02 feet to a point, referenced by a 5/8 inch iron rod set bearing S 11°-23'-11"W, a distance of 5.00 feet.

S 78°-36'-43"E, a distance of 51.84 feet to a point, referenced by a 5/8 inch iron rod set bearing S 11°-23'-11"W, a distance of 5.00 feet.

N 44°-29'-49"E, a distance of 104.68 feet to a point, referenced by a 5/8 inch iron rod set bearing S 67°-53'-36"W, a distance of 10.00 feet.

N 22°-06'-35"E, a distance of 184.51 feet to a point.

THENCE, with the west line of the Patricia Breidenbach 196.98 acre tract (O.R. 168, Pg. 10, Tract IV) extended, S 5°-56'-40"E, a distance of 186.48 feet to a 5/8 inch iron rod found on the State Line, passing a 5/8 inch iron rod set at 15.00 feet.

THENCE, with the State Line and the north line of the James David Duff 13.414 acre tract (O.R. 835, Pg. 854, Tract I), S 35°-54'-59"W, a distance of 230.01 feet to a 5/8 inch iron rod found at Station 315+52.5 (Wonders Line Field Notes, Book 1, Pages 45-51).

THENCE, with the State Line and the north lines of the said 13.414 acre tract and the James David Duff 0.889 acre tract (O.R. 835, Pg. 854, Tract III), N 57°-57'-59"W, a distance of 279.34 feet to a 5/8 inch iron rod found.



Lee Surveying and Mapping Co., Inc.

Land Surveys • Topography • Subdivisions • Construction Layout

117 N. Madriver St.
Bellefontaine OH 43311



Phone: (937) 593-7335
Fax: (937) 593-7444

THENCE, with the State Line and the north line of the said 0.889 acre tract,
N 34°-19'-58"W, a distance of 121.00 feet to the point of beginning.

Containing 1.604 acres.

The basis for bearings is the south line of Virginia Military Survey 13393, being S
82°-55'-21"W, and all other bearings are from angles and distances measured in a
field survey by Lee Surveying and Mapping Co., Inc. on December 14, 2007.

Description prepared by:

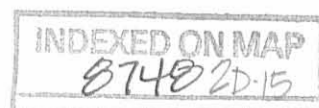
A handwritten signature in black ink that reads 'William K. Bruce'.

William K. Bruce
Professional Surveyor 7437
December 18, 2007



ORIGINAL STAMP IN GREEN

1153117



RECID 2-1-08 SUM OK

Lee Surveying and Mapping Co., Inc.

Land Surveys • Topography • Subdivisions • Construction Layout

117 N. Madriver St.
Bellefontaine OH 43311



Phone: (937) 593-7335
Fax: (937) 593-7444

TRACT OF UNKNOWN OWNERSHIP 0.676 ACRE

Lying in Virginia Military Survey 13393, Richland Township, Logan County, Ohio.

Being a tract of unknown ownership and being more particularly described as follows:

Commencing on a stone found in a monument box at the southeast corner of Virginia Military Survey 13393 on the center-line of County Highway 38.

THENCE, with the east line of Virginia Military Survey 13393, N 6°-57'-56"W, a distance of 2042.78 feet to a 5/8 inch iron rod found on the State Line.

THENCE, with the State Line and an easterly line of the James David Duff 6.100 acre tract (O.R. 835, Pg. 854, Tract IV), N 34°-19'-58"W, a distance of 69.05 feet to a 5/8 inch iron rod found at the TRUE POINT OF BEGINNING.

THENCE, with the lines of the said 6.100 acre tract, the following four courses:

S 60°-46'-55"W, a distance of 62.20 feet to a 5/8 inch iron rod found.

S 54°-17'-08"W, a distance of 106.26 feet to a 5/8 inch iron rod found.

S 56°-47'-05"W, a distance of 143.88 feet to a 5/8 inch iron rod found.

S 61°-47'-04"W, a distance of 162.36 feet to a 5/8 inch iron rod found on the State Line.

THENCE, with the State Line and the lines of the Indian Lake Reservoir Lands Lot No. 46-487 (Plat Cabinet A, Slide 481), the following four courses:

N 34°-19'-03"E, a distance of 24.00 feet to a 5/8 inch iron rod set.

N 48°-55'-04"E, a distance of 146.10 feet to a 5/8 inch iron rod set.

N 41°-49'-03"E, a distance of 315.20 feet to a 5/8 inch iron rod set at Station 309+71.2 (Wonders Line Field Notes, Book 1, Pages 45-51).

S 34°-19'-58"E, a distance of 124.45 feet to the point of beginning.

Containing 0.676 acre.

The basis for bearings is the south line of Virginia Military Survey 13393, being S 82°-55'-21"W, and all other bearings are from angles and distances measured in a field survey by Lee Surveying and Mapping Co., Inc. on December 14, 2007.



ORIGINAL STAMP IN GREEN

Description prepared by:

A handwritten signature in black ink that reads 'William K. Bruce'.

William K. Bruce
Professional Surveyor 7437
December 18, 2007

1153117



1 REVID 2-1-08 SMY BK

Lee Surveying and Mapping Co., Inc.

Land Surveys • Topography • Subdivisions • Construction Layout

117 N. Madriver St.
Bellefontaine OH 43311



Phone: (937) 593-7335
Fax: (937) 593-7444

TRACT OF UNKNOWN OWNERSHIP 0.014 ACRE

Lying in Virginia Military Survey 13393, Richland Township, Logan County, Ohio.

Being a tract of unknown ownership and being more particularly described as follows:

Commencing on a stone found in a monument box at the southeast corner of Virginia Military Survey 13393 on the center-line of County Highway 38.

THENCE, with the east line of Virginia Military Survey 13393, N 6°-57'-56"W, a distance of 1248.08 feet to a 5/8 inch iron rod set on the State Line.

THENCE, with the northerly line of the O'Connor Farms, Inc., 62.40 acre tract (Vol. 353, Pg. 663, Tract I), N 87°-18'-03"W, a distance of 13.10 feet to a 5/8 inch iron rod set on the State Line at Station 297+84.2 (Wonders Line Field Notes, Book 1, Pages 45-51).

THENCE, with the State Line, N 41°-26'-55"W, a distance of 43.67 feet to a point, referenced by a 3 inch iron pipe found bearing S 87°-54'-52"E, a distance of 38.12 feet.

THENCE, with the State Line and the westerly lines of the James David Duff 0.734 acre tract and 6.100 acre tract (O.R. 835, Pg. 854, Tract V and IV), N 41°-26'-55"W, a distance of 328.13 feet to a 5/8 inch iron rod found, passing a 5/8 inch iron rod set at 34.84 feet.

THENCE, with the State Line and a southerly line of the said 6.100 acre tract, S 73°-20'-04"W, a distance of 115.07 feet to a 5/8 inch iron rod found at the TRUE POINT OF BEGINNING.

THENCE, with the State Line, the following two courses:

S 73°-20'-04"W, a distance of 31.23 feet to a point at Station 302+34.3 (Wonders Line Field Notes, Book 1, Pages 45-51).

N 84°-39'-54"W, a distance of 44.18 feet to a point on the shore line of Indian Lake.

THENCE, with the shore line of Indian Lake, N 75°-46'-35"W, a distance of 29.04 feet to a point of the southerly line of the aforesaid 6.100 acre tract.

THENCE, with the southerly line of the said 6.100 acre tract, S 88°-42'-57"E, a distance of 102.07 feet to the point of beginning.

Containing 0.014 acre.

The basis for bearings is the south line of Virginia Military Survey 13393, being S 82°-55'-21"W, and all other bearings are from angles and distances measured in a field survey by Lee Surveying and Mapping Co., Inc. on December 14, 2007.



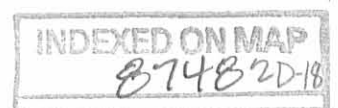
ORIGINAL STAMP IN GREEN

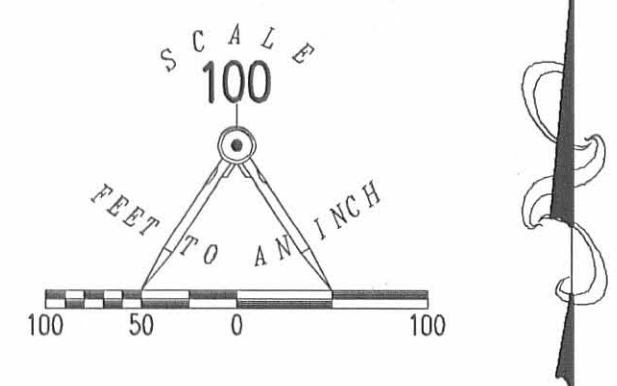
Description prepared by:

A handwritten signature in black ink that reads 'William K. Bruce'.

William K. Bruce
Professional Surveyor 7437
December 18, 2007

1153117

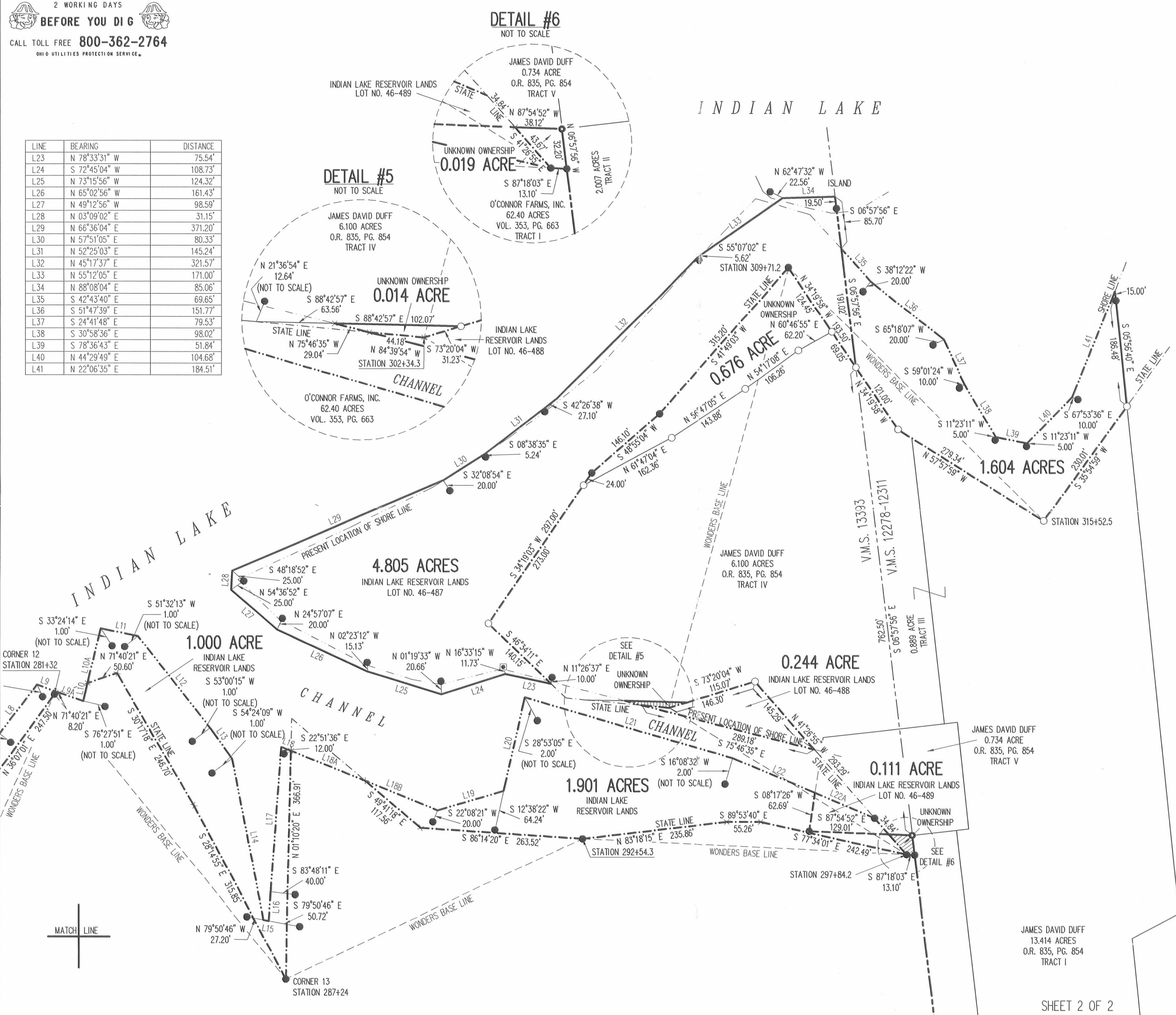




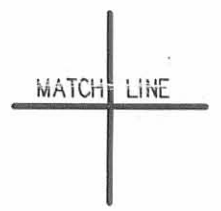
LINE	BEARING	DISTANCE
L23	N 78°33'31" W	75.54'
L24	S 72°45'04" W	108.73'
L25	N 73°15'56" W	124.32'
L26	N 65°02'56" W	161.43'
L27	N 49°12'56" W	98.59'
L28	N 03°09'02" E	31.15'
L29	N 66°36'04" E	371.20'
L30	N 57°51'05" E	80.33'
L31	N 52°25'03" E	145.24'
L32	N 45°17'37" E	321.57'
L33	N 55°12'05" E	171.00'
L34	N 88°08'04" E	85.06'
L35	S 42°43'40" E	69.65'
L36	S 51°47'39" E	151.77'
L37	S 24°41'48" E	79.53'
L38	S 30°58'36" E	98.02'
L39	S 78°36'43" E	51.84'
L40	N 44°29'49" E	104.68'
L41	N 22°06'35" E	184.51'

DETAIL #6
NOT TO SCALE

DETAIL #5
NOT TO SCALE



- LEGEND:
- ☒ STONE FOUND IN MONUMENT BOX
 - ⊗ PK NAIL FOUND
 - ⊙ MAG SPIKE SET
 - ⊗ RAILROAD SPIKE FOUND
 - 5/8 INCH IRON ROD SET
 - 5/8 INCH IRON ROD FOUND
 - ⊙ 1 INCH IRON PIPE FOUND
 - ⊕ 2 INCH IRON PIPE FOUND
 - ⊙ 1-1/2 INCH IRON PIPE FOUND
 - ⊠ SQUARE IRON BAR FOUND
 - 3 INCH IRON PIPE FOUND



PATRICIA BREIDENBACH
196.98 ACRES
O.R. 168, PG. 10
TRACT IV

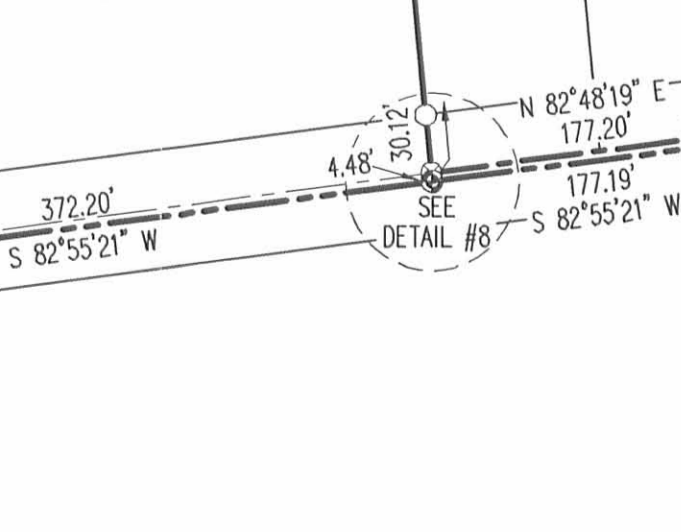
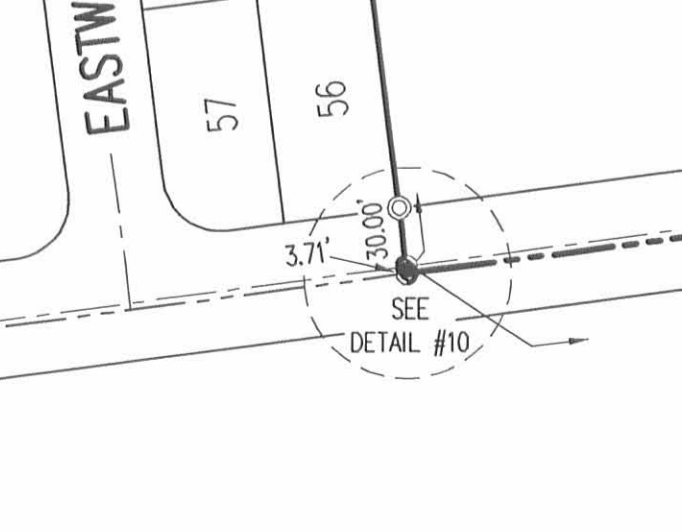
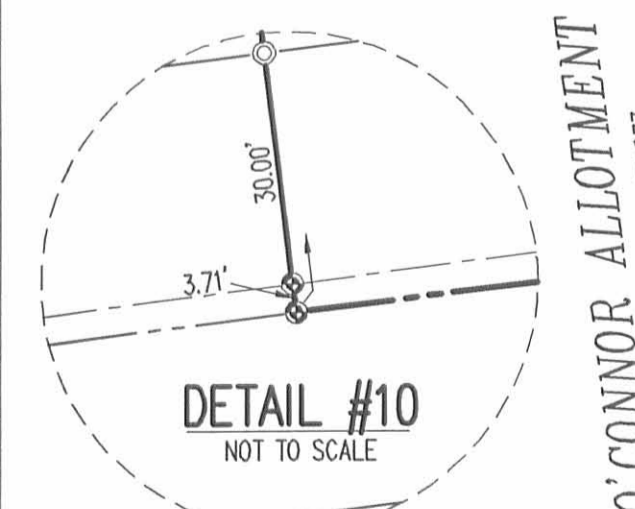
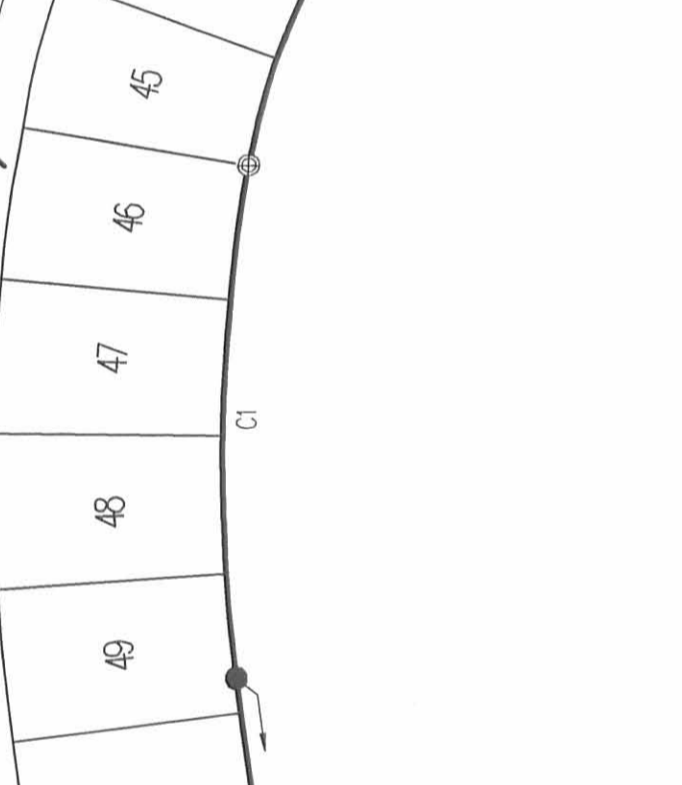
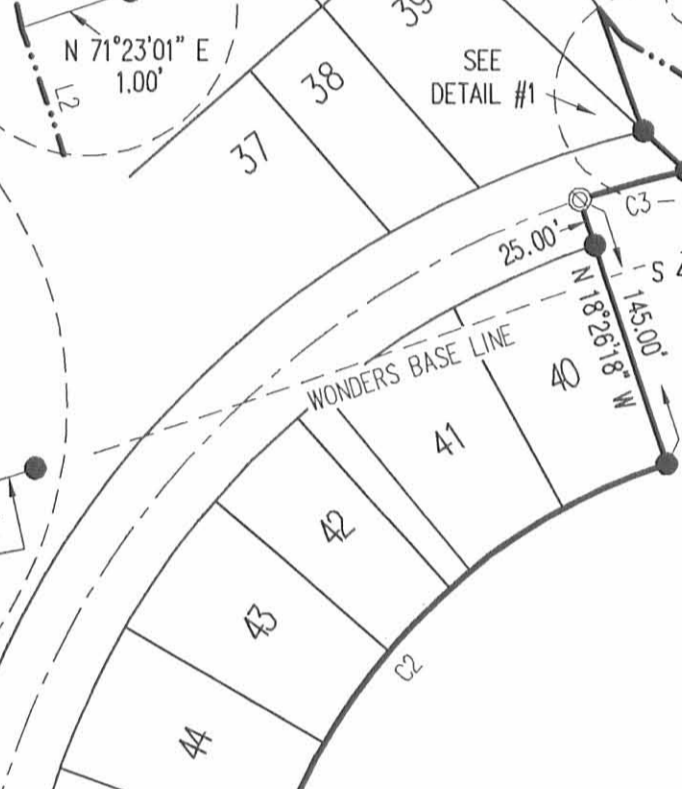
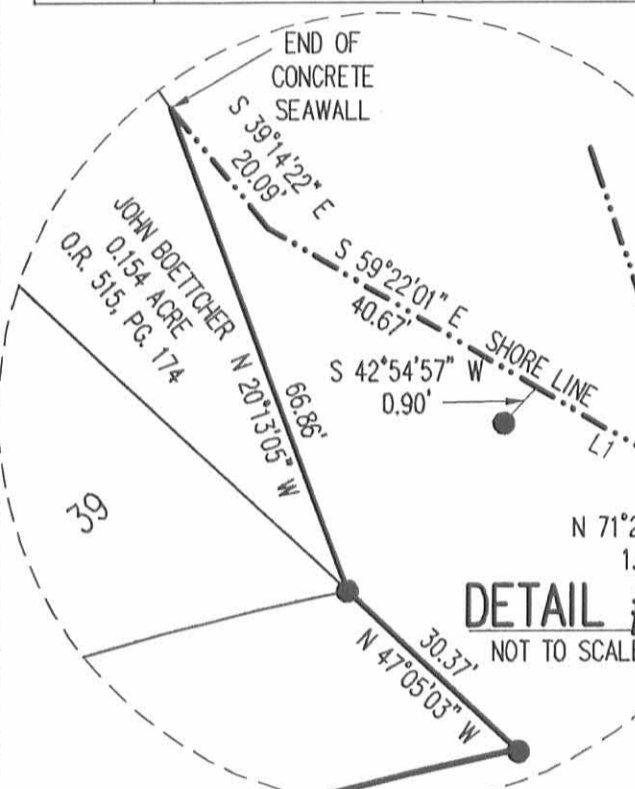
JAMES DAVID DUFF
13.414 ACRES
O.R. 835, PG. 854
TRACT I

INDEXED ON MAP
0740-2P-1

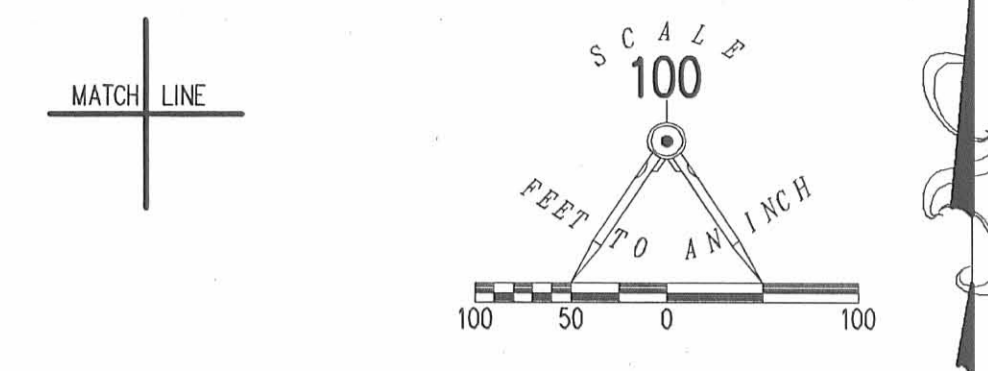
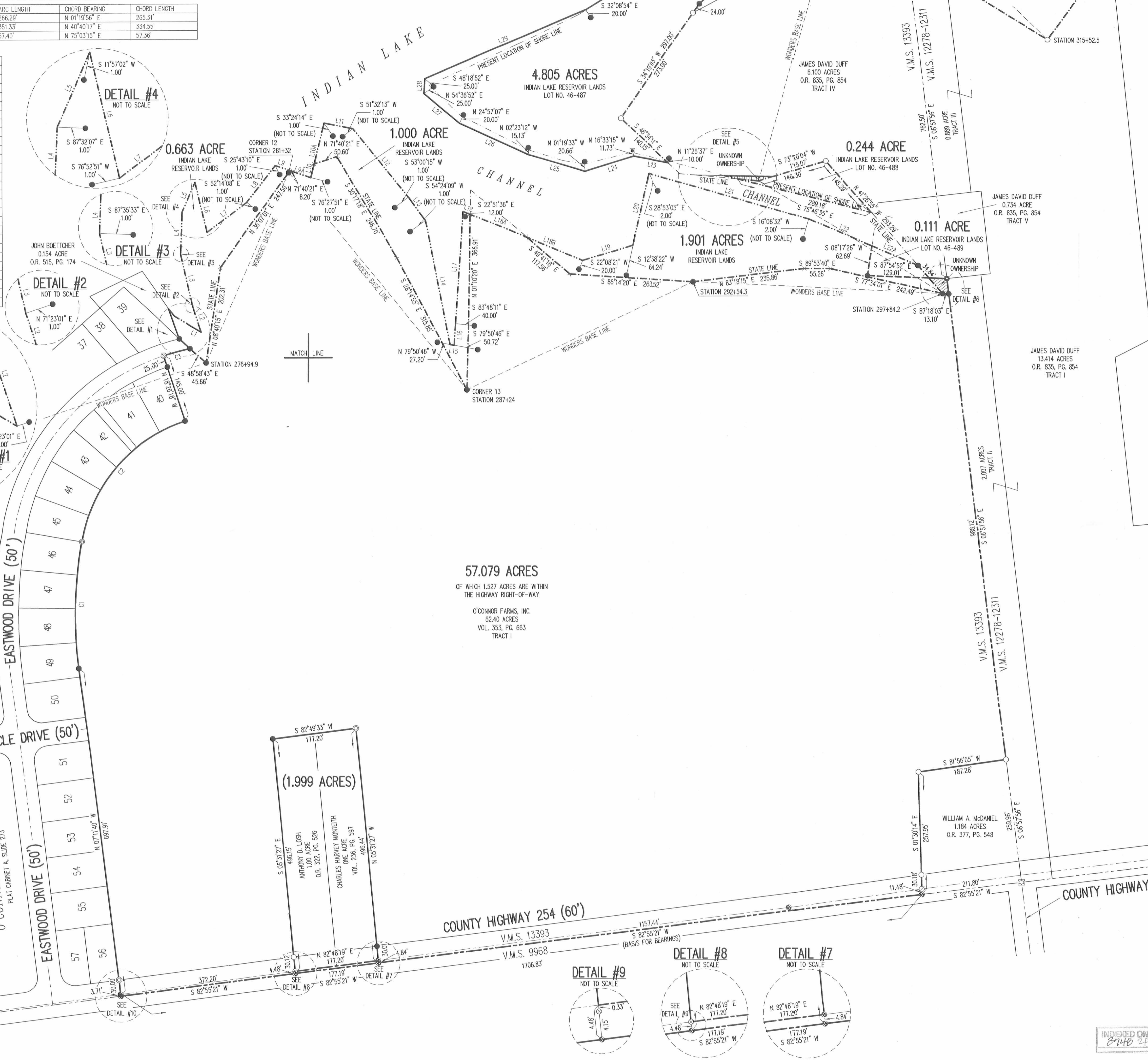
REVISED 2-1-08 5/14/08

CURVE	DELTA ANGLE	RADIUS	ARC LENGTH	CHORD BEARING	CHORD LENGTH
C1	17°00'39"	896.92'	266.29'	N 01°19'56" E	265.31'
C2	61°46'52"	325.82'	351.33'	N 40°40'17" E	334.55'
C3	06°59'05"	470.82'	57.40'	N 75°03'15" E	57.36'

LINE	BEARING	DISTANCE
L1	S 59°21'58" E	25.10'
L2	N 18°36'25" W	58.74'
L3	N 12°53'30" W	110.65'
L4	N 02°26'11" E	88.40'
L5	N 23°20'17" E	69.47'
L6	S 13°04'55" E	110.50'
L7	N 52°50'34" E	106.64'
L8	N 37°46'13" E	99.18'
L9	S 70°42'37" E	38.20'
L9A	S 70°42'37" E	41.26'
L10	N 13°34'32" E	29.67'
L10A	N 13°34'32" E	90.74'
L11	S 76°52'51" E	61.60'
L11A	S 76°52'51" E	188.13'
L12	S 52°14'08" E	1.00'
L13	S 35°34'13" E	61.76'
L14	S 11°05'51" E	264.08'
L15	S 79°50'46" E	8.76'
L16	N 03°39'14" E	45.10'
L17	N 04°02'11" E	235.66'
L18	S 67°51'37" E	16.78'
L18A	S 67°51'37" E	129.89'
L18B	S 67°51'37" E	126.26'
L19	N 73°47'04" E	111.58'
L20	N 12°38'22" E	155.44'
L21	S 73°52'12" E	352.11'
L22	S 67°14'34" E	145.06'
L22A	S 67°14'34" E	105.00'



2 WORKING DAYS BEFORE YOU DIG CALL TOLL FREE 800-362-2764



RETRACEMENT SURVEY OF THE O'CONNOR FARMS, INC. 62.40 ACRE TRACT VOLUME 353, PAGE 663, TRACT I LOT NO'S. 46-487, 46-488 AND 46-489 INDIAN LAKE RESERVOIR LANDS PLAT CABINET A, SLIDE 481 AND SURVEY OF THE INDIAN LAKE RESERVOIR LANDS VIRGINIA MILITARY SURVEYS 13393 AND 12278-12311 RICHLAND TOWNSHIP LOGAN COUNTY, OHIO

SURVEYED BY: WILLIAM K. BRUCE
 WILLIAM K. BRUCE
 PROFESSIONAL SURVEYOR 7437
 DECEMBER 14, 2007
 REVISED JANUARY 29, 2008
 COPYRIGHT 2008 BY:
 LEE SURVEYING & MAPPING CO., INC.
 117 North Madriver Street
 BELLEFONTAINE, OHIO 43311
 (937) 593-7335
 surveys@lsmc.us
 KSS D1207 1153117 L-1153-1



INDEXED ON MAP 8748 2D-2