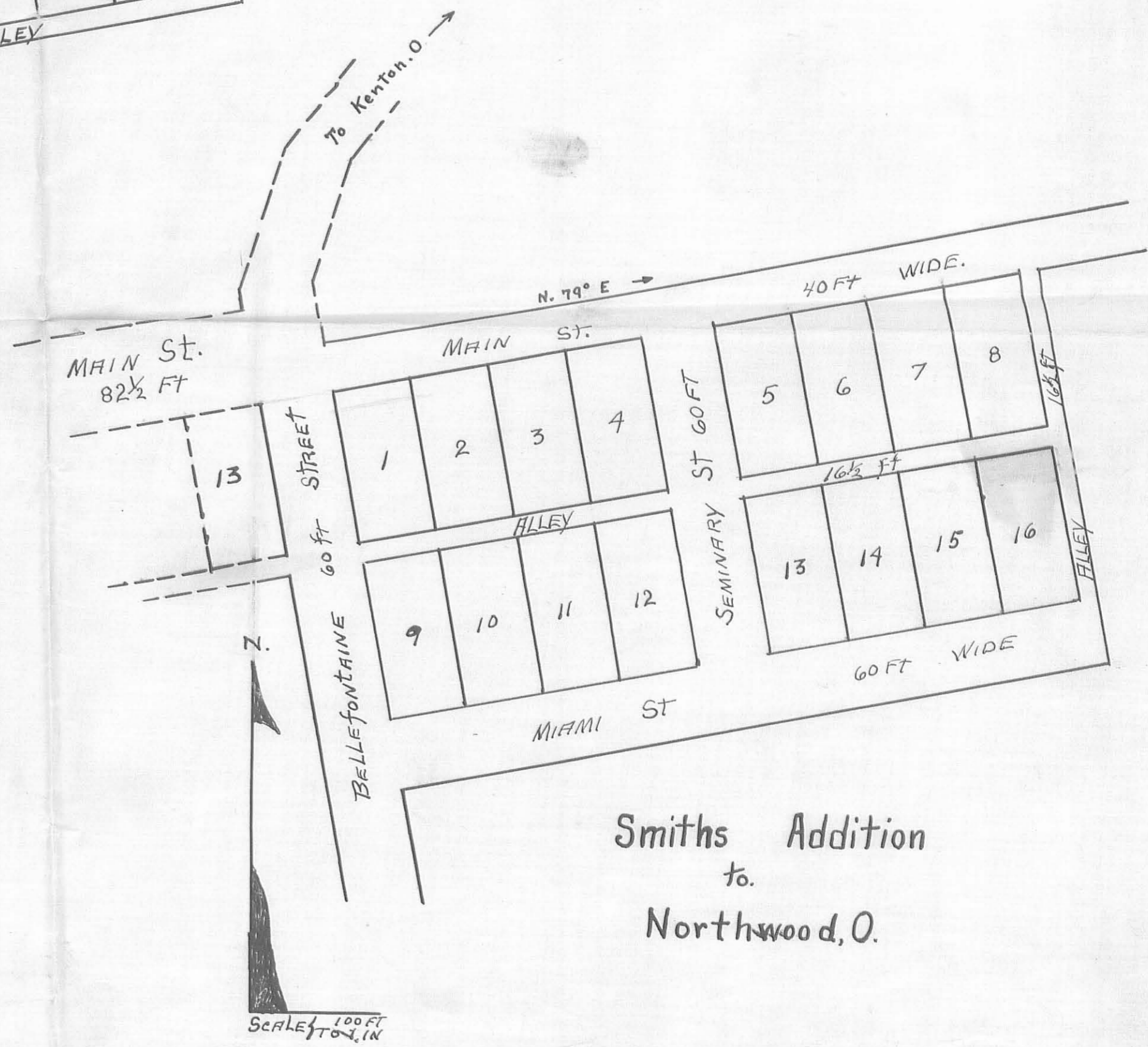


# NORTHWOOD OHIO.



Original Plot of Northwood, O.



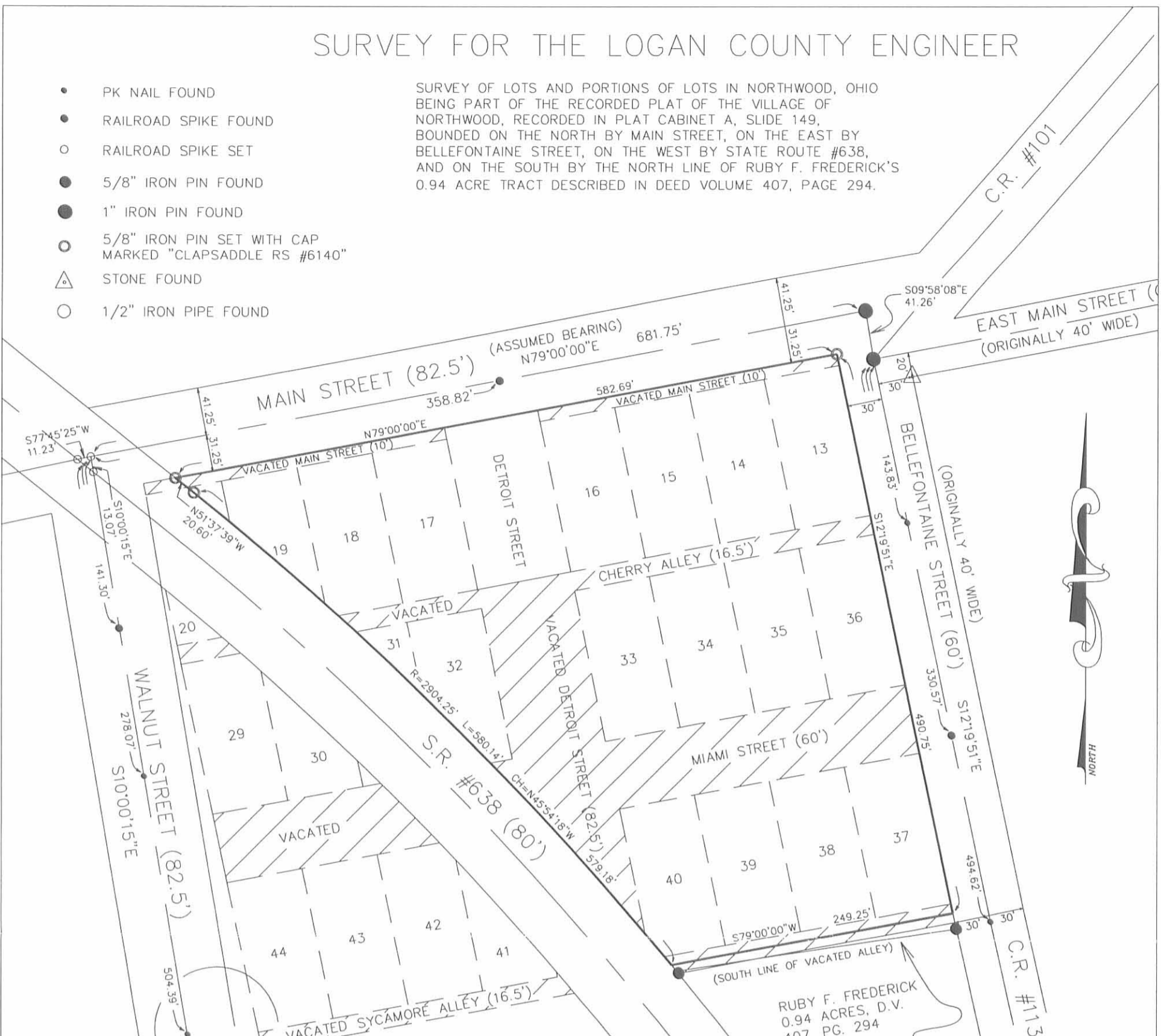
Smiths Addition  
to  
Northwood, O.

1204 1P  
MAY 20 1908

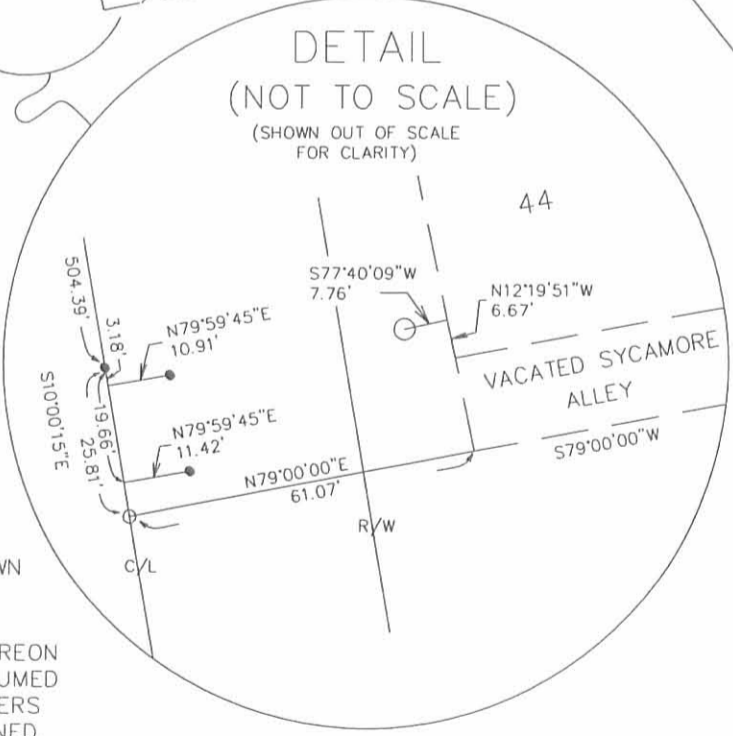
# SURVEY FOR THE LOGAN COUNTY ENGINEER

- PK NAIL FOUND
- RAILROAD SPIKE FOUND
- RAILROAD SPIKE SET
- 5/8" IRON PIN FOUND
- 1" IRON PIN FOUND
- 5/8" IRON PIN SET WITH CAP MARKED "CLAPSADDLE RS #6140"
- △ STONE FOUND
- 1/2" IRON PIPE FOUND

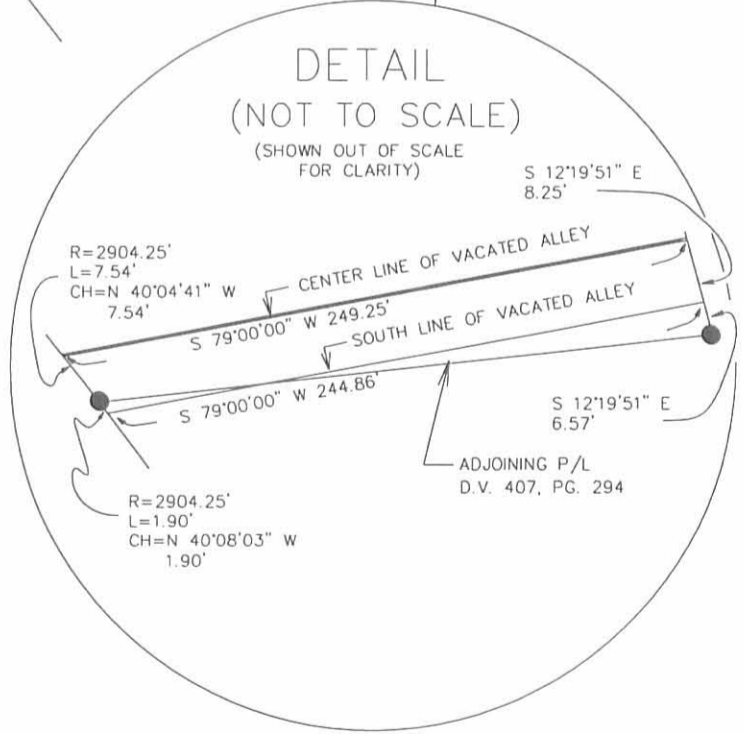
SURVEY OF LOTS AND PORTIONS OF LOTS IN NORTHWOOD, OHIO BEING PART OF THE RECORDED PLAT OF THE VILLAGE OF NORTHWOOD, RECORDED IN PLAT CABINET A, SLIDE 149, BOUNDED ON THE NORTH BY MAIN STREET, ON THE EAST BY BELLEFONTAINE STREET, ON THE WEST BY STATE ROUTE #638, AND ON THE SOUTH BY THE NORTH LINE OF RUBY F. FREDERICK'S 0.94 ACRE TRACT DESCRIBED IN DEED VOLUME 407, PAGE 294.



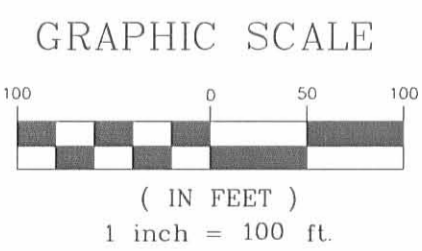
**DETAIL (NOT TO SCALE)**  
(SHOWN OUT OF SCALE FOR CLARITY)



**DETAIL (NOT TO SCALE)**  
(SHOWN OUT OF SCALE FOR CLARITY)



REFERENCE DEEDS SHOWN HEREON.  
BEARINGS INDICATED HEREON ARE BASED ON AN ASSUMED MERIDIAN WITH ALL OTHERS BASED ON ANGLES TURNED.



- REFERENCES:
- ALLEYS VACATED (CROSS HATCHED)
  - A) RESOLUTION 35-85
  - B) RESOLUTION 183-85
  - C) RESOLUTION 218-94
  - D) COMMISSIONER'S JOURNAL X, PG. 475



**Paul R. Clapsaddle and Associates**  
REGISTERED ENGINEERS AND SURVEYORS  
19019 WEST DARBY ROAD, MARYSVILLE OHIO 43040  
(513) 747-2599  
(800) 745-2599  
Paul R. Clapsaddle, P.E., P.S.

FILENAME: NW00D295.DWG  
SCALE: 1" = 100'  
1/12/96  
F.B. 15, PG. 1

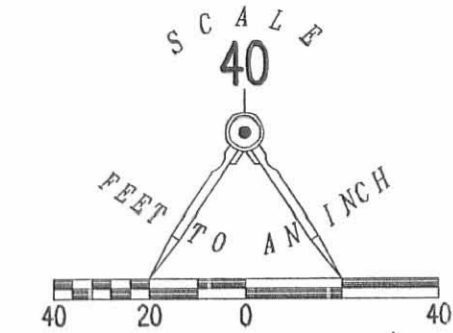
I HEREBY CERTIFY THAT THIS PLAT WAS PREPARED FROM AN ACTUAL FIELD SURVEY MADE UNDER MY SUPERVISION AND THAT MONUMENTS WERE PLACED AS INDICATED.  
*Paul R. Clapsaddle*  
PAUL R. CLAPSADDLE

INDEXED ON MAP  
1204 2P

REC'D 5-28-10 8AM/AM

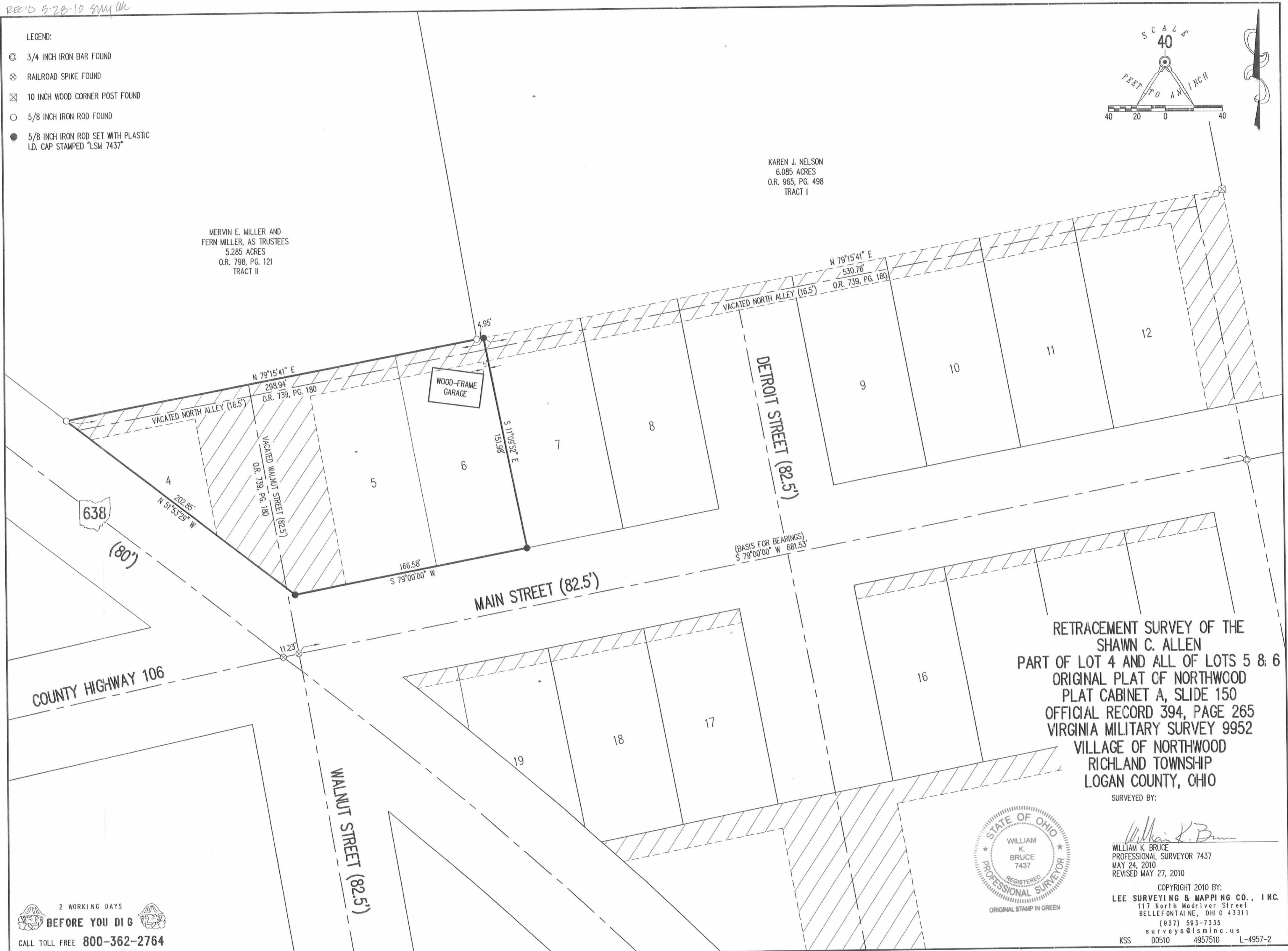
LEGEND:

- ⊙ 3/4 INCH IRON BAR FOUND
- ⊗ RAILROAD SPIKE FOUND
- ⊠ 10 INCH WOOD CORNER POST FOUND
- 5/8 INCH IRON ROD FOUND
- 5/8 INCH IRON ROD SET WITH PLASTIC I.D. CAP STAMPED "LSM 7437"



MERVIN E. MILLER AND  
FERN MILLER, AS TRUSTEES  
5.285 ACRES  
O.R. 798, PG. 121  
TRACT II

KAREN J. NELSON  
6.085 ACRES  
O.R. 965, PG. 498  
TRACT I



RETRACEMENT SURVEY OF THE  
SHAWN C. ALLEN  
PART OF LOT 4 AND ALL OF LOTS 5 & 6  
ORIGINAL PLAT OF NORTHWOOD  
PLAT CABINET A, SLIDE 150  
OFFICIAL RECORD 394, PAGE 265  
VIRGINIA MILITARY SURVEY 9952  
VILLAGE OF NORTHWOOD  
RICHLAND TOWNSHIP  
LOGAN COUNTY, OHIO

SURVEYED BY:

*William K. Bruce*  
WILLIAM K. BRUCE  
PROFESSIONAL SURVEYOR 7437  
MAY 24, 2010  
REVISED MAY 27, 2010



COPYRIGHT 2010 BY:  
LEE SURVEYING & MAPPING CO., INC.  
117 North Madriver Street  
BELLEFONTAINE, OHIO 43311  
(937) 593-7335  
surveys@lsminc.us  
KSS D0510 4957510 L-4957-2

2 WORKING DAYS  
**BEFORE YOU DIG**  
CALL TOLL FREE 800-362-2764  
OHIO UTILITIES PROTECTION SERVICE

INDEXED ON MAP  
1209 3P

# Rose Survey

Walnut St.  $82\frac{1}{2}'$

Alleys  $16\frac{1}{2}'$

89-60  
51-55  

---

38-05

1.27572  

---

1.25  
0

1.27046  
12.5  

---

35230  
254092  
127046  

---

15880750

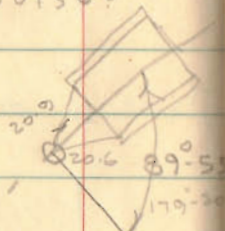
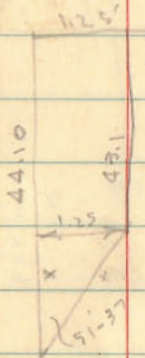
.79212  

---

1.25  
396060  
158424  

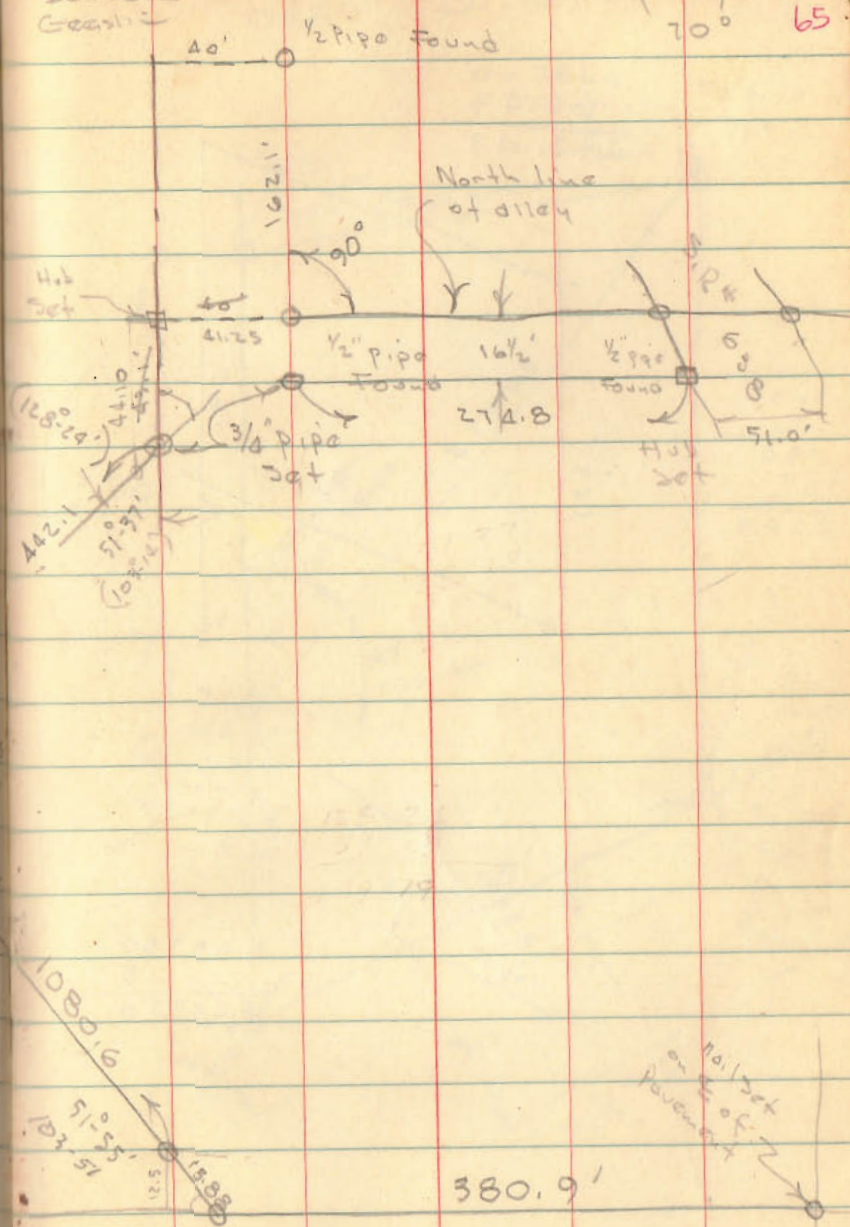
---

79212  
9901500



Dade  
Geologic

May 28, 60  
70° 65



INDEXED ON MAP  
1204

380.9'

