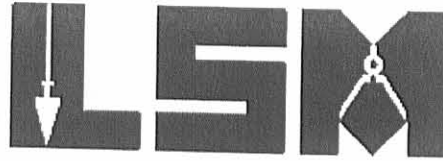


Lee Surveying and Mapping Co., Inc.

Land Surveys • Topography • Subdivisions • Construction Layout

117 N. Madriver St.
Bellefontaine OH 43311



Phone: (937) 593-7335
Fax: (937) 593-7444

MIAMI VALLEY BANK 0.247 ACRE

Lying in the Village of Quincy, Miami Township, Logan County, Ohio.

Being part of the Miami Valley Bank, Incorporated, part of Lot 72 of Baldwin Addition (Plat Cabinet A, Slide 93) as deeded and described in Volume 347, Page 329, The Miami Valley Bank, Quincy, Ohio, part of Lots 72 and 73 of Baldwin Addition as deeded and described in Volume 349, Page 434 and all of The Miami Valley Bank, 3,117.91 square feet (part of Lot 73 of Baldwin Addition) as deeded and described in Volume 389, Page 950 and The Miami Valley Bank 0.152 acre (part of Lots 72 and 73 of Baldwin Addition) as deeded and described in Volume 389, Page 953 of the Logan County Records of Deeds and being more particularly described as follows:

Commencing on a MAG nail set on the intersection of the south right-of-way of South Street (66 feet wide) and the east right-of-way of Miami Street (49.50 feet wide) at the northwest corner of Lot 73 of Baldwin Addition.

THENCE, with the east right-of-way of Miami Street and the west line of Lot 73, S 0°-00'-00"E, a distance of 41.77 feet to a MAG nail set at the TRUE POINT OF BEGINNING.

THENCE, S 89°-23'-49"E, a distance of 83.99 feet to a MAG nail set.

THENCE, with the lines of the remainder of the James K. Cox, part of Lot 72 (Vol. 345, Pg. 352), the following two courses:

S 0°-00'-00"E, a distance of 23.65 feet to a 5/8 inch iron rod set.

S 89°-54'-33"E, a distance of 47.99 feet to a 5/8 inch iron rod set.

THENCE, with the west line of the Janette L. Fry, part of Lot 71 (Vol. 374, Pg. 55) and the west line of Lot 71, S 0°-00'-00"E, a distance of 66.03 feet to a 5/8 inch iron rod set at the southeast corner of Lot 72 on the north right-of-way of a 10 feet wide alley.

THENCE, with the south lines of Lots 72 and 73 and the north right-of-way of the said 10 feet wide alley, N 89°-58'-18"W, a distance of 131.97 feet to a MAG nail set at the southwest corner of Lot 73 on the east right-of-way of Miami Street, passing a 5/8 inch iron rod found (bent) at 0.22 feet and a chiseled "X" found at 131.88 feet.

THENCE, with the west line of Lot 73 and the east right-of-way of Miami Street, N 0°-00'-00"W, a distance of 90.58 feet to the point of beginning.

Containing 0.247 acre.

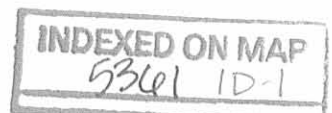
The basis for bearings is the center-line of Miami Street, being N 0°-00'-00"W, and all other bearings are from angles and distances measured in a field survey by Lee Surveying and Mapping Co., Inc. on October 26, 2007 and November 14, 2007.



ORIGINAL STAMP IN GREEN

Description prepared by:

William K. Bruce
Professional Surveyor 7437
November 15, 2007



REC'D 3-19-08 SMY OK

Lee Surveying and Mapping Co., Inc.

Land Surveys • Topography • Subdivisions • Construction Layout

117 N. Madriver St.
Bellefontaine OH 43311



Phone: (937) 593-7335
Fax: (937) 593-7444

MIAMI VALLEY BANK 0.081 ACRE

Lying in the Village of Quincy, Miami Township, Logan County, Ohio.

Being all of The Miami Valley Bank, Incorporated, part of Lot 73 of Baldwin Addition (Plat Cabinet A, Slide 93) as deeded and described in Volume 177, Page 164, and part of the Miami Valley Bank, Incorporated, part of Lot 72 of Baldwin Addition as deeded and described in Volume 347, Page 329 and The Miami Valley Bank, Quincy, Ohio, part of Lots 72 and 73 of Baldwin Addition as deeded and described in Volume 349, Page 434 of the Logan County Records of Deeds and being more particularly described as follows:

Beginning on a MAG nail set on the intersection of the south right-of-way of South Street (66 feet wide) and the east right-of-way of Miami Street (49.50 feet wide) at the northwest corner of Lot 73 of Baldwin Addition.

THENCE, with the south right-of-way of South Street and the north lines of Lots 73 and 72, S 89°-50'-43"E, a distance of 83.99 feet to a 5/8 inch iron rod set.

THENCE, with the west line of the remainder of the James K. Cox, part of Lot 72 (Vol. 345, Pg. 352), S 0°-00'-00"E, a distance of 42.43 feet to a MAG nail set.

THENCE, N 89°-23'-49"W, a distance of 83.99 feet to a MAG nail set on the east right-of-way of Miami Street.

THENCE, with the west line of Lot 73 and the east right-of-way of Miami Street, N 0°-00'-00"W, a distance of 41.77 feet to the point of beginning.

Containing 0.081 acre.

The basis for bearings is the center-line of Miami Street, being N 0°-00'-00"W, and all other bearings are from angles and distances measured in a field survey by Lee Surveying and Mapping Co., Inc. on October 26, 2007 and November 14, 2007.



ORIGINAL STAMP IN GREEN

Description prepared by:

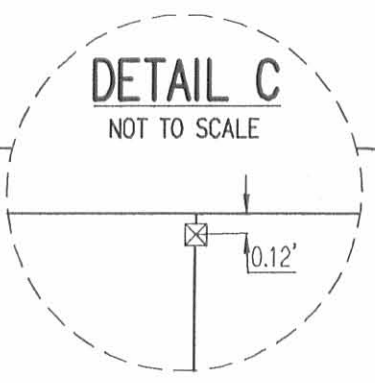
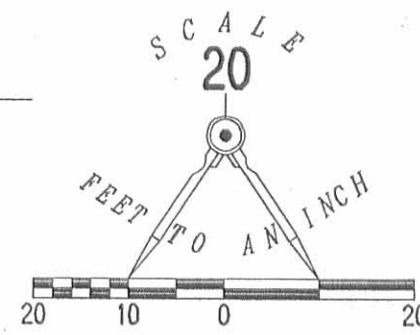
William K. Bruce
Professional Surveyor 7437
November 15, 2007

4542117A

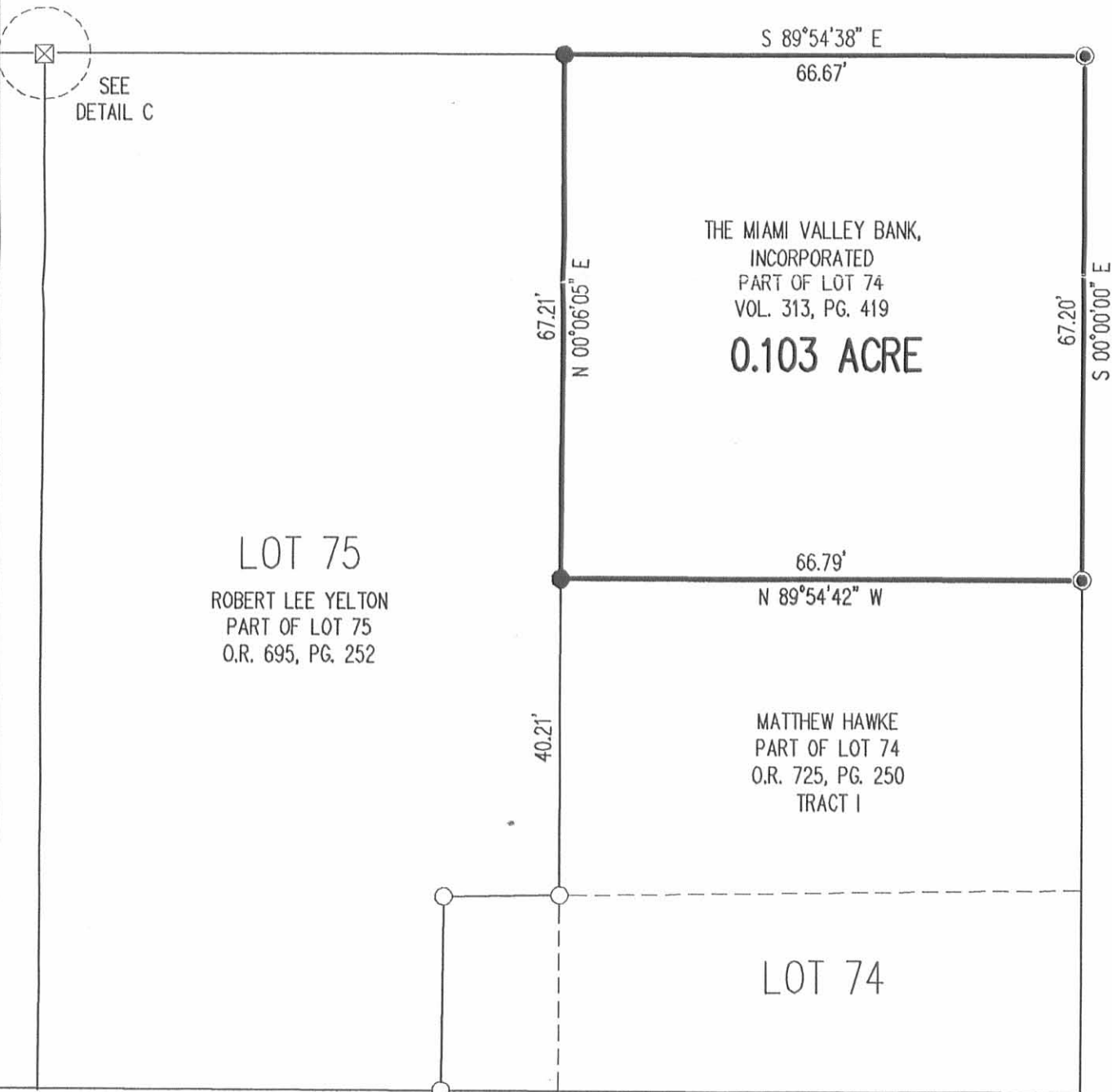


LEGEND:

- ⊕ BOAT SPIKE FOUND
- ⊠ LOGAN COUNTY ENGINEER'S 5/8 INCH IRON ROD FOUND IN MONUMENT BOX
- 5/8 INCH IRON ROD FOUND
- 5/8 INCH IRON ROD SET
- MAG NAIL SET
- ⊠ CHISLED "X" FOUND



SEE
DETAIL C

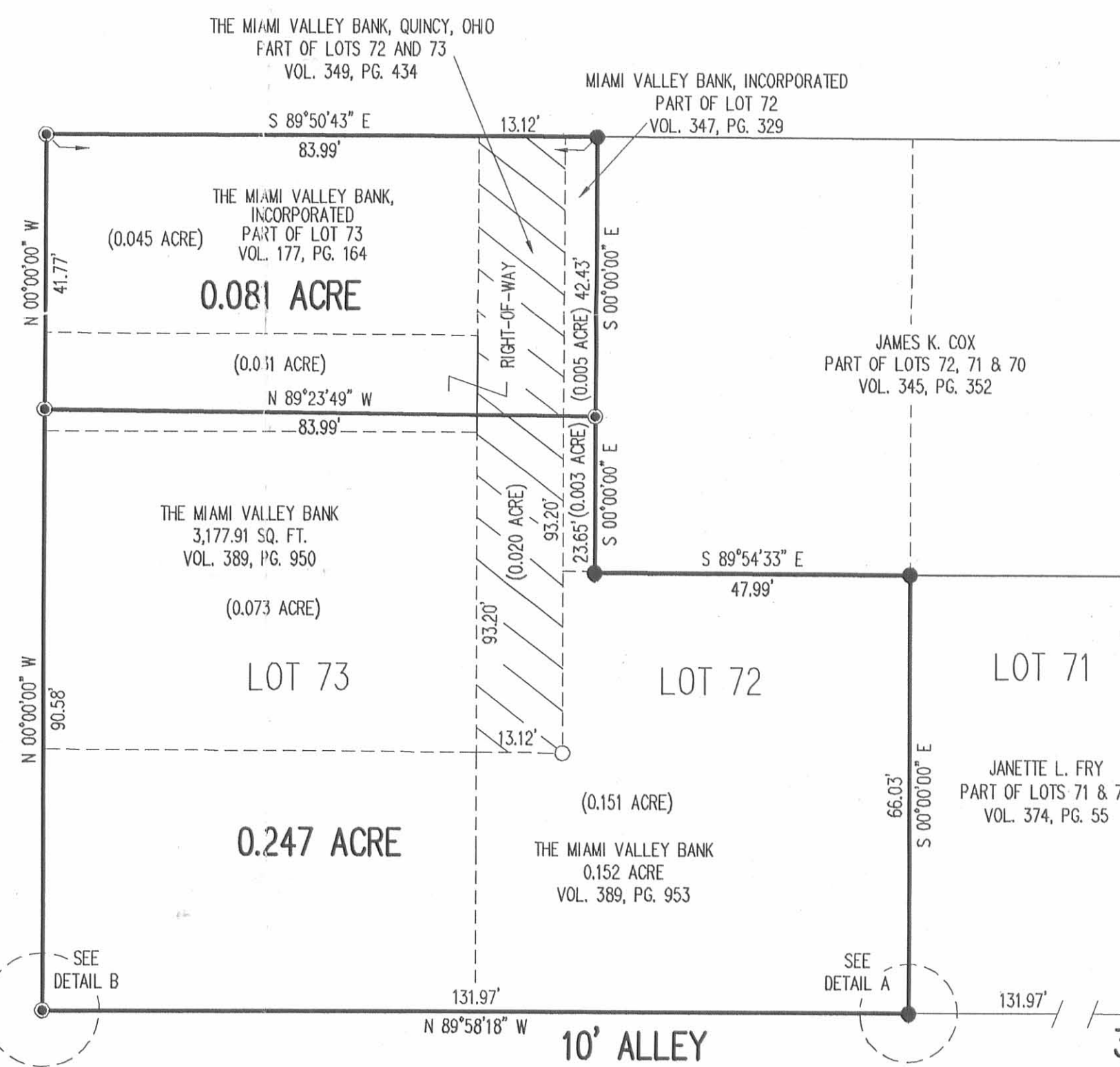


10' ALLEY

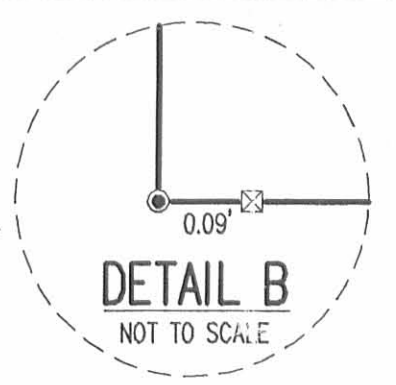
(BASIS FOR BEARINGS)
N 00°00'00" W 335.53'

MIAMI STREET (49.50')

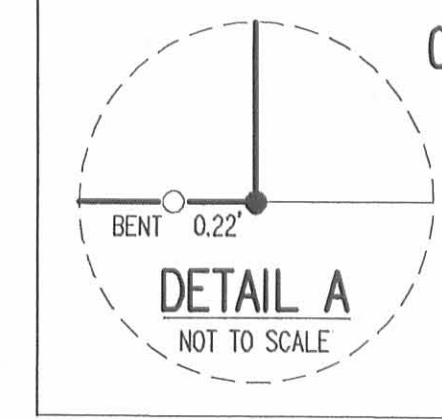
SOUTH STREET (66')



10' ALLEY



DETAIL B
NOT TO SCALE



DETAIL A
NOT TO SCALE

NEW STREET (60')

NEW STREET (60')

RETRACEMENT SURVEY OF
THE MIAMI VALLEY BANK, INCORPORATED
PART OF LOT 74
VOLUME 313, PAGE 419,
AND SURVEY OF TWO TRACTS OUT OF
THE MIAMI VALLEY BANK, INCORPORATED
PART OF LOT 73
VOLUME 177, PAGE 164,
MIAMI VALLEY BANK, INCORPORATED
PART OF LOT 72
VOLUME 347, PAGE 329,
THE MIAMI VALLEY BANK, QUINCY, OHIO
PARTS OF LOTS 72 AND 73
VOLUME 349, PAGE 434,
THE MIAMI VALLEY BANK
3,117.91 SQUARE FEET (PART OF LOT 73)
VOLUME 389, PAGE 950 AND
THE MIAMI VALLEY BANK
0.152 ACRE (PART OF LOTS 72 & 73)
VOLUME 389, PAGE 953
BALDWIN ADDITION
PLAT CABINET A, SLIDE 93
VILLAGE OF QUINCY
MIAMI TOWNSHIP
LOGAN COUNTY, OHIO

SURVEYED BY:

William K. Bruce

WILLIAM K. BRUCE
PROFESSIONAL SURVEYOR 7437
OCTOBER 26, 2007
REVISED NOVEMBER 14, 2007
REVISED MARCH 19, 2008



COPYRIGHT 2008 BY:
LEE SURVEYING & MAPPING CO., INC.
117 North Madriver Street
BELLEFONTAINE, OHIO 43311

(937) 593-7335
surveys@lsmcinc.us

KSS D1107 4542117A L-4542-3

INDEXED ON MAP
5361 1P

ORIGINAL STAMP IN GREEN

Theodore R. Saker
Description

The following described real estate situated in the Village of Quincy, Township of Miami, County of Logan, State of Ohio and being a part of Lot No. 73 in said Village and being more particularly described as follows:

Beginning at a chiseled cross in the sidewalk in the west line of Lot No. 73 and in the east line of Miami Street and being North 39.30 feet from a chiseled cross at the southwest corner to Lot No. 73;

Thence with the west line of Lot No. 73, North 47.92 feet to a point;

Thence S. 89° 55' E. 66.11 feet to a point in the east line of Lot No. 73 and the west line of Lot No. 72;

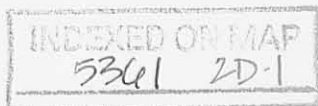
Thence with the line between Lots 73 and 72, South 48.22 feet to an iron bar, said iron bar being North 39.00 feet from the southeast corner to Lot No. 73;

Thence S. 89° 45' W. 66.11 feet to the place of beginning, containing 3,177.91 square feet.

Also a right of way over the 13.00 feet by 93.24 feet out of the northwest corner of Lot No. 72.

I hereby certify that this is a true and accurate description of said premises as prepared by me on August 27, 1933.

Daniel E. Gilbert
Daniel E. Gilbert, P.S.
Reg. Sur. No. 5402
1041 N. Main St.
Bellefontaine, Ohio 43311



Theodore R. Saker
to
The Miami Valley Bank

The following described real estate situated in the Village of Quincy, Township of Miami, County of Logan, State of Ohio and being a part of Lots 72 and 73 in said Village and being more particularly described as follows:

Beginning at a chiseled cross in the sidewalk, 30.0 feet south of the northwest corner of Lot No. 73, said cross being the present southwest corner to the portion of said lot belonging to said bank;

Thence South with the west line of Lot No. 73, 15.0 feet to a point in said line;

Thence S. $89^{\circ} 55'$ E. 66.11 feet to a point in the east line of Lot No. 73 and the west line of Lot No. 72;

Thence with the line between Lot 73 and Lot 72, South 48.22 feet to an iron bar;

Thence N. $89^{\circ} 45'$ E. 13.00 feet to an iron bar;

Thence North 93.24 feet to an iron bar in the north line of Lot No. 72, also being in the south line of South Street;

Thence with the north line of Lot No. 72, N. $89^{\circ} 55'$ W. 13.00 feet to an iron bar, northwest corner to Lot No. 72 and the northeast corner to Lot No. 73;

Thence with the line between Lot 72 and Lot 73, South 30.00 feet to an iron bar, southeast corner to the portion of said Lot 73 belonging to said bank;

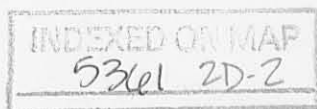
Thence N. $89^{\circ} 55'$ W. 66.11 feet to the place of beginning, containing 1,212.12 square feet in Lot No. 72 and 991.65 square feet in Lot No. 73.

Reserving, however a right of way over the 13.0 feet by 93.24 feet out of the northwest corner of Lot No. 72.

I hereby certify that this is a true and accurate description of said premises as prepared by me on August 24, 1973.

Daniel E. Gilbert

Daniel E. Gilbert, P.S.
Reg. Sur. No. 5402
1041 N. Main St.
Bellefontaine, Ohio 43111



James K. and Cynthia A. Cox
to
The Miami Valley Bank

The following described real estate situated in the Village of Quincy,
Township of Miami, County of Logan, State of Ohio and being a part of Lot No.
72 in said Village and being more particularly described as follows:

Beginning at iron bar in the north line of Lot No. 72 and the south line of
South Street that is S. $89^{\circ} 55'$ E. 13.00 feet from the northwest corner to Lot
No. 72, said iron bar being the northwest corner to that portion of said Lot
belonging to James K. and Cynthia A. Cox;

Thence parallel with the west line of Lot No. 72, South 66.11 feet to an
iron bar, Cox's present southwest corner;

Thence S. $89^{\circ} 55'$ E. 5.0 feet to a point;

Thence North 66.11 feet to a point in the north line of Lot No. 72 and the
south line of South Street;

Thence with the north line of said lot, N. $89^{\circ} 55'$ W. 5.00 feet to the place
of beginning, containing 330.55 square feet in Lot No. 72.

I hereby certify that this is a true and accurate description of said
premises as prepared by me on May 16, 1973.

Daniel E. Gilbert
Daniel E. Gilbert, P.S.
Reg. Sur. No. 5402
1041 N. Main St.
Bellefontaine, Ohio 43311

