

REC'D 4-8-98 SWY ON ✓



Lee Surveying and Mapping Co., Inc.



Farm Surveys • Lot Surveys • Topography • Subdivisions • Construction Layout

117 NORTH MADRIVER STREET
BELLEFONTAINE, OHIO 43311

(937) 593-7335
FAX (937) 593-7444

MONROE COMMUNITY GROUP 0.366 ACRE

Lying in Virginia Military Survey 3221, Monroe Township, Logan County, Ohio.

Being all of the African M.E. Church original 58-1/2 pole tract as deeded and described in Volume 32, Page 333 of the Logan County Records of Deeds and being more particularly described as follows:

Beginning at a point on the center-line of County Highway 29 at the intersection with the center-line of County Highway 28, 1.00 feet south of a Veteran's Memorial Monument found.

THENCE, with the center-line of County Highway 29, N 79°-41'-00" E, a distance of 405.82 feet to a P.K. nail found at the TRUE POINT OF BEGINNING.

THENCE, with the center-line of County Highway 29, N 79°-41'-00" E, a distance of 99.31 feet to a railroad spike found.

THENCE, with the lines of the Dean M. Lockwood original 116.75 acre tract, (Vol. 407, Pg. 913), the following two courses:

S 14°-49'-21" E, a distance of 140.25 feet to a 5/8 inch iron rod set, passing a 5/8 inch iron rod found at 25.08 feet.


S 56°-30'-38" W, a distance of 104.50 feet to a 5/8 inch iron rod set.

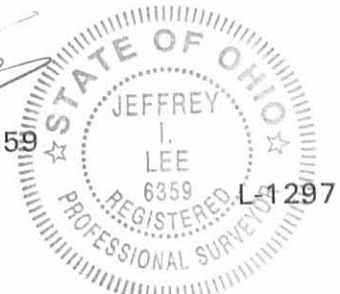
THENCE, with an easterly line of the said 116.75 acre tract, and an easterly line of the James P. Clay 0.358 acre tract (O.R. 344, Pg. 592), N 14°-49'-26" W, a distance of 181.50 feet to the point of beginning, passing a 5/8 inch iron rod found at 27.81 feet and a 5/8 inch iron rod set at 156.42 feet.

Containing 0.366 acre, of which 0.057 acre is within the highway right-of-way.

The basis for bearings is the center-line of County Highway 28, being N 16°-16'-00" W, and all other bearings are from angles and distances measured in a field survey by Lee Surveying and Mapping Co., Inc. on March 18, 1998.

Description prepared by:


Jeffrey I. Lee
Professional Surveyor 6359
March 30, 1998



ORIGINAL STAMP IN GREEN

INDEXED ON MAP
6137 1D-1

REC'D 4-8-98 SMy



Lee Surveying and Mapping Co., Inc.



Farm Surveys • Lot Surveys • Topography • Subdivisions • Construction Layout

117 NORTH MADRIVER STREET
BELLEFONTAINE, OHIO 43311

(937) 593-7335
FAX (937) 593-7444

MONROE COMMUNITY GROUP 0.108 ACRE

Lying in Virginia Military Survey 3221, Monroe Township, Logan County, Ohio.

Being out of the Mary I. Conger, Eugene Alspaugh, Naomi Heminger and Lillian Kay Hamm original 0.76 acre tract as deeded and described in Official Record 147, Page 575, Tract I of the Logan County Records of Deeds and being more particularly described as follows:

Beginning at a point on the center-line of County Highway 29 at the intersection with the center-line of County Highway 28, 1.00 feet south of a Veteran's Memorial Monument found.

THENCE, with the center-line of County Highway 28 (60 feet wide), S 16°-16'-00" E, a distance of 295.55 feet to a pony spike found.

THENCE, with the south line of the Monroe Community Group 0.33 acre tract, (Vol. 377, Pg. 323, Tr. II), N 78°-40'-51" E, a distance of 179.53 feet to a 5/8 inch iron rod set at the TRUE POINT OF BEGINNING, passing a 5/8 inch iron rod set at 30.11 feet.

THENCE, with the easterly line of the said 0.33 acre tract, N 15°-57'-00" W, a distance of 37.00 feet to a 1 inch iron pipe found.

THENCE, with the southerly line of the Monroe Community Group 0.75 acre tract (Vol. 394, Pg. 858, Tr. I) and the southerly line of the Monroe Township Trustees' original 15-5/8 pole tract (Vol. 315, Pg. 836), N 72°-53'-45" E, a distance of 122.17 feet to a 5/8 inch iron rod set.

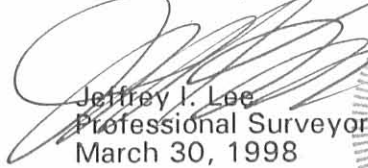
THENCE, with a westerly line of the Dean M. Lockwood original 116.75 acre tract, (Vol. 407, Pg. 913), S 16°-21'-35" E, a distance of 39.70 feet to a 5/8 inch iron rod set.

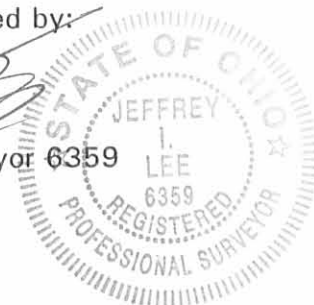
THENCE, S 74°-09'-40" W, a distance of 122.43 feet to the point of beginning.

Containing 0.108 acre.

The basis for bearings is the center-line of County Highway 28, being N 16°-16'-00" W, and all other bearings are from angles and distances measured in a field survey by Lee Surveying and Mapping Co., Inc. on March 18, 1998.

Description prepared by:


Jeffrey I. Lee
Professional Surveyor 6359
March 30, 1998



L-1297

ORIGINAL STAMP IN GREEN

INDEXED ON MAP
6137 ID-2

REC'D 4-8-98 smy OK ✓



Lee Surveying and Mapping Co., Inc.



Farm Surveys • Lot Surveys • Topography • Subdivisions • Construction Layout

117 NORTH MADRIVER STREET
BELLEFONTAINE, OHIO 43311

(937) 593-7335
FAX (937) 593-7444

MONROE COMMUNITY GROUP 0.029 ACRE

Lying in Virginia Military Survey 3221, Monroe Township, Logan County, Ohio.

Being out of the Mary I. Conger, Eugene Alspaugh, Naomi Heminger and Lillian Kay Hamm original 0.52 acre tract as deeded and described in Official Record 147, Page 575, Tract II of the Logan County Records of Deeds and being more particularly described as follows:

Beginning at a point on the center-line of County Highway 29 at the intersection with the center-line of County Highway 28, 1.00 feet south of a Veteran's Memorial Monument found.

THENCE, with the center-line of County Highway 28 (60 feet wide), S 16°-16'-00" E, a distance of 295.55 feet to a pony spike found at the TRUE POINT OF BEGINNING.

THENCE, with the south line of the Monroe Community Group 0.33 acre tract, (Vol. 377, Pg. 323, Tr. II), N 78°-40'-51" E, a distance of 179.53 feet to a 5/8 inch iron rod set, passing a 5/8 inch iron rod set at 30.11 feet.

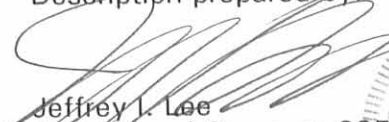
THENCE, S 74°-09'-40" W, a distance of 178.86 feet to a MAG nail set on the center-line of County Highway 28, passing a 5/8 inch iron rod set at 148.86 feet.

THENCE, with the center-line of County Highway 28, N 16°-16'-00" W, a distance of 14.15 feet to the point of beginning.

Containing 0.029 acres, of which 0.009 acre is within the highway right-of-way.

The basis for bearings is the center-line of County Highway 28, being N 16°-16'-00" W, and all other bearings are from angles and distances measured in a field survey by Lee Surveying and Mapping Co., Inc. on March 18, 1998.

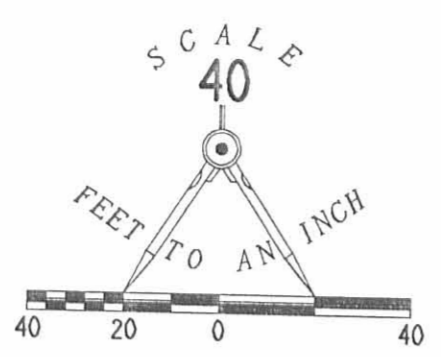
Description prepared by:


Jeffrey I. Lee
Professional Surveyor 6359
March 30, 1998



INDEXED ON MAP
6137 1D-3

REC'D 4-8-93 SMM OK ✓



CENTER-LINE INTERSECTION
1.00 FEET NORTH OF
VETERAN'S MEMORIAL MONUMENT

COUNTY HIGHWAY 28 (60')

COUNTY HIGHWAY 29 (50')

COUNTY HIGHWAY 29 (60')

- LEGEND
- 5/8" IRON ROD SET
 - 5/8" IRON ROD FOUND
 - MAG NAIL SET
 - ⊗ RAILROAD SPIKE FOUND
 - 1" SQUARE IRON ROD FOUND
 - ⊗ P.K. NAIL FOUND
 - 1" IRON PIPE FOUND
 - PONY SPIKE FOUND
 - ⊗ 7" WOOD POST FOUND
 - ⊗ 1/2 IRON ROD FOUND
 - ⊗ VETERAN'S MEMORIAL MONUMENT

0.366 ACRE
OF WHICH 0.057 ACRE IS WITHIN
THE HIGHWAY RIGHTS-OF-WAY

MONROE TWP. TRUSTEES
ORIG. 15-5/8 POLES
VOL. 315, PG. 836

JAMES P. CLAY
0.358 ACRE
O.R. 344, PG. 592

DEAN M. LOCKWOOD
ORIGINAL 116.75 ACRES
VOL. 407, PG. 913

1.113 ACRES
OF WHICH 0.243 ACRE IS WITHIN
THE HIGHWAY RIGHTS-OF-WAY

MONROE COMMUNITY GROUP
0.75 AC.
VOL. 394, PG. 858, TR. I

0.429 ACRE
OF WHICH 0.080 ACRE IS WITHIN
THE HIGHWAY RIGHT-OF-WAY

MONROE COMMUNITY GROUP
0.33 AC.
VOL. 377, PG. 323, TR. II

0.108 ACRE

0.029 ACRE
OF WHICH 0.009 ACRE IS WITHIN
THE HIGHWAY RIGHT-OF-WAY

MARY I. CONGER, EUGENE ALSPAUGH
NAOMI HEMINGER AND LILLIAN KAY HAMM
1.055 ACRES
O.R. 147, PG. 575

WILLIAM J. CONGER
0.655 ACRE
O.R. 71, PG. 843

RETRACEMENT SURVEY OF THE
MONROE COMMUNITY GROUP
ORIGINAL TRACTS OF LAND
VOLUME 377, PAGE 323 AND VOLUME 394, PAGE 858

RETRACEMENT SURVEY OF THE
AFRICAN M.E. CHURCH
ORIGINAL 58-1/2 POLE TRACT
(0.366 ACRE TRACT)
VOLUME 32, PAGE 333

AND SURVEY OF TWO TRACTS OUT OF
THE MARY I. CONGER, EUGENE ALSPAUGH,
NAOMI HEMINGER AND LILLIAN KEY HAMM
ORIGINAL 0.76 AND 0.52 ACRE TRACTS
OFFICIAL RECORD 147, PAGE 575

VIRGINIA MILITARY SURVEY 3221
MONROE TOWNSHIP
LOGAN COUNTY, OHIO



SURVEYED BY:
Jeffrey L. Lee
JEFFREY L. LEE
PROFESSIONAL SURVEYOR 6359
MARCH 18, 1998

COPYRIGHT 1998 BY:
LEE SURVEYING & MAPPING CO., INC.
117 North Madriver Street
BELLEFONTAINE, OHIO 43311
(937) 593-7335

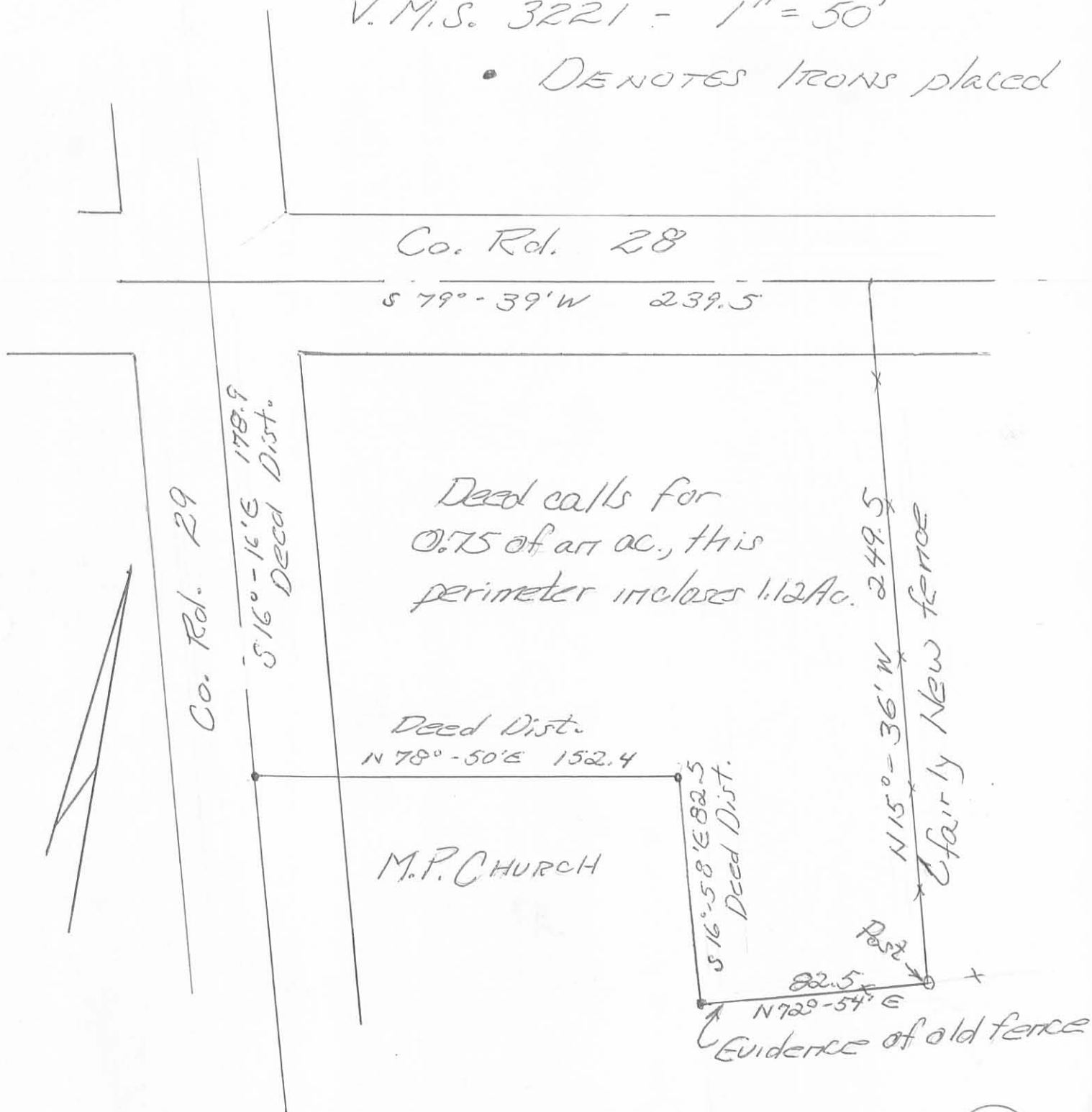
D 325 MONCHRC L-1297-2

2 WORKING DAYS
BEFORE YOU DIG
CALL TOLL FREE 800-362-2764
OHIO UTILITIES PROTECTION SERVICE.

INDEXED ON MAP
6137 1P

WILLIAMS SURVEY - PICKRELLTOWN
 MONROE TWP., LOGAN CO., OHIO
 V.M.S. 3221 - 1" = 50'

• DENOTES IRONS placed



Owen K. Stirk
 Surveyor 4271
 Surveyed: 4-15-72

61372P

INDEXED ON MAP

REC'D 7-16-12 8M an

Lee Surveying and Mapping Co., Inc.

Land Surveys • Topography • Subdivisions • Construction Layout

117 N. Madriver St.
Bellefontaine OH 43311



Phone: (937) 593-7335
Fax: (937) 593-7444
surveys@lsminc.us

MONROE COMMUNITY GROUP 1.542 ACRES

Lying in Virginia Military Survey 3221, Monroe Township, Logan County, Ohio.

Being all of the remainder of the Monroe Community Group 0.0125 acre tract, 0.33 acre tract and 3,856.70 square feet tract as deeded and described in Volume 377, Page 323, Tract I, Tract II and Tract III and all of the remainder of the 3/4 acre tract as deeded and described in Volume 394, Page 858, Tract I of the Logan County Records of Deeds and being more particularly described as follows:

Beginning on a point on the intersection of the center-lines of County Highway 29 and County Highway 28, said point being referenced by the Veteran's Memorial Monument bearing S 16°-16'-00"E, 1.00 foot.

THENCE, with the center-line of County Highway 29 (50 feet wide), N 79°-41'-00"E, a distance of 239.88 feet to a 1 inch square iron rod found.

THENCE, with the west line of the Monroe Township Trustees original 15-5/8 poles (Vol. 315, Pg. 836), S 15°-26'-12"E, a distance of 248.38 feet to a 7 inch wood post found, passing a 5/8 inch iron rod found at 25.10 feet.

THENCE, with the lines of the Mary L. Conger, Trustee, 0.198 acre tract (O.R. 1063, Pg. 656, Tract II), the following two courses:

S 72°-53'-45"W, a distance of 55.93 feet to a 1 inch iron pipe found.

S 15°-57'-00"E, a distance of 37.00 feet to a 5/8 inch iron rod found.

THENCE, with the north line of the Mary L. Conger, Trustee, 0.029 acre tract (O.R. 1063, Page 656, Tract I), S 78°-40'-51"W, a distance of 179.53 feet to a pony spike found on the center-line of County Highway 28, passing a 5/8 inch iron rod found at 149.42 feet.

THENCE, with the center-line of County Highway 28 (60 feet wide), N 16°-16'-00"W, a distance of 295.55 feet to the point of beginning.

Containing 1.542 acres, of which 0.324 acre is within the highway rights-of-way.

Property is subject to any and all previous easements and rights-of-way of record.

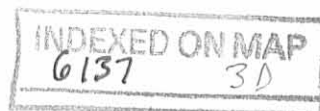
The basis for bearings is the center-line of County Highway 28, being N 16°-16'-00"W, and all other bearings are from angles and distances measured in a field survey by Lee Surveying and Mapping Co., Inc. on July 6, 2012.

Description prepared by:



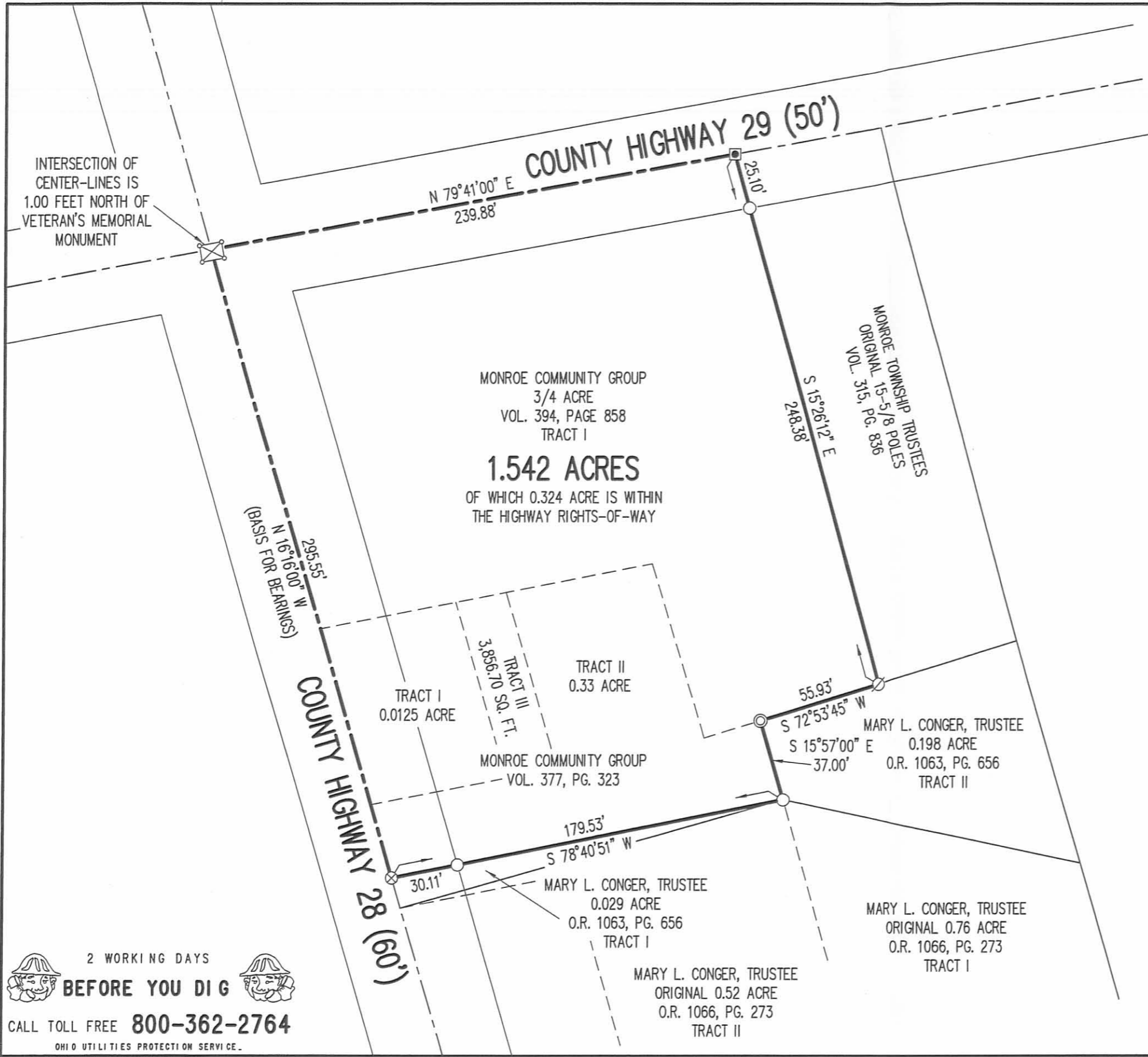
William K. Bruce

William K. Bruce
Professional Surveyor 7437
July 9, 2012

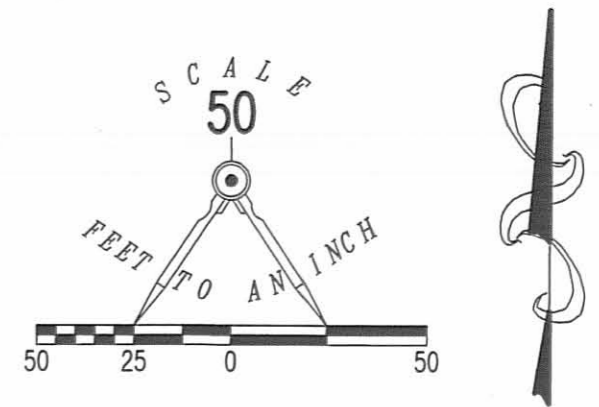


12970612

REC'D 7-10-12 SMY/OK



- LEGEND:
- 1 INCH SQUARE IRON ROD FOUND
 - ⊗ PONY SPIKE FOUND
 - ⊘ 7 INCH WOOD POST FOUND
 - ⊙ 1 INCH IRON PIPE FOUND
 - 5/8 INCH IRON ROD FOUND



SURVEY OF THE
MONROE COMMUNITY GROUP
0.0125 ACRE TRACT, 0.33 ACRE TRACT
AND 3,856.70 SQUARE FEET TRACT
VOLUME 377, PAGE 323
TRACT I, TRACT II AND TRACT III
AND 3/4 ACRE TRACT
VOLUME 394, PAGE 858
TRACT I
VIRGINIA MILITARY SURVEY 3221
MONROE TOWNSHIP
LOGAN COUNTY, OHIO

SURVEYED BY:

William K. Bruce

WILLIAM K. BRUCE
 PROFESSIONAL SURVEYOR 7437
 JULY 6, 2012



ORIGINAL STAMP IN GREEN

COPYRIGHT 2012 BY:
LEE SURVEYING & MAPPING CO., INC.
 117 North Madriver Street
 BELLEFONTAINE, OHIO 43311
 (937) 593-7335
 WWW.LSMINC.US
 surveys@lsminc.us

KSS D0612 12970612 L-1297-3

2 WORKING DAYS
BEFORE YOU DIG
 CALL TOLL FREE **800-362-2764**
 OHIO UTILITIES PROTECTION SERVICE

INDEXED ON MAP
 6137 3P