

REC'D 12-19-97 SUM OK ✓



# Lee Surveying and Mapping Co., Inc.



Farm Surveys • Lot Surveys • Topography • Subdivisions • Construction Layout

117 NORTH MADRIVER STREET  
BELLEFONTAINE, OHIO 43311

(937) 593-7335  
FAX (937) 593-7444

## HUTCHINS 0.210 ACRE

Lying in Virginia Military Survey 3155, Village of Middleburg, Zane Township, Logan County, Ohio.

Being all of the Edwin R. Hutchins part of Lots 3 and 4 as deeded and described in Volume 232, Page 191, and Volume 397, Page 400 of the Logan County Records of Deeds and being more particularly described as follows:

Beginning at a chiseled "X" found in concrete on the easterly right-of-way of Columbus Street and the northerly right-of-way of Urbana Street and County Highway 152 at the southwesterly corner of Lot 4 (Deed Vol. D, Pg. 332).

THENCE, with the easterly right-of-way of Columbus Street (66 feet wide), N 40°-54'-48" W, a distance of 132.00 feet to a 5/8 inch iron rod set at the northwesterly corner of Lot 3.

THENCE, with the northerly line of Lot 3, N 49°-28'-12" E, a distance of 131.82 feet to a 5/8 inch iron rod set on the westerly right-of-way of a 16 feet wide alley.

THENCE, with the westerly line of a 16 feet wide alley, S 40°-53'-09" E, a distance of 49.75 feet to a 5/8 inch iron rod set.

THENCE, with the lines of the Kim D. Blackburn tract (O.R. 208, Pg. 846), the following four (4) courses:

S 49°-21'-44" W, a distance of 91.80 feet to a 5/8 inch iron rod set.

S 40°-54'-48" E, a distance of 12.00 feet to a 5/8 inch iron rod set.

S 49°-21'-44" W, a distance of 10.00 feet to a 5/8 inch iron rod set.

S 40°-54'-48" E, a distance of 70.00 feet to a 5/8 inch iron rod set on the northerly right-of-way of Urbana Street and County Highway 152.

THENCE, with the northerly line of Urbana Street and County Highway 152 (66 feet wide), S 49°-21'-44" W, a distance of 30.00 feet to the point of beginning.

Containing 0.210 acre.

The basis for bearings is the center-line of Columbus Street, south of Urbana Street, being N 40°-09'-47" W, and all other bearings are from angles and distances measured in a field survey by Lee Surveying and Mapping Co., Inc. on December 17, 1997.

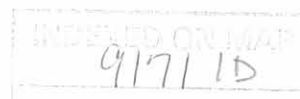


Description prepared by:

Jeffrey I. Lee  
Professional Surveyor 6359  
December 18, 1997

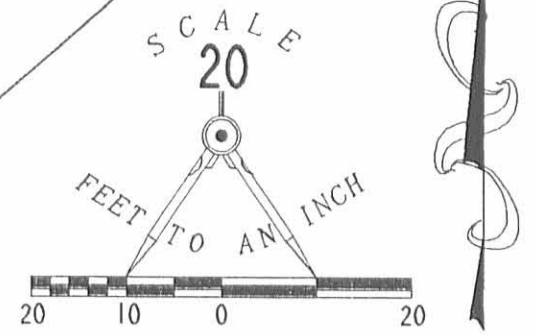
L-2604

ORIGINAL STAMP IN GREEN



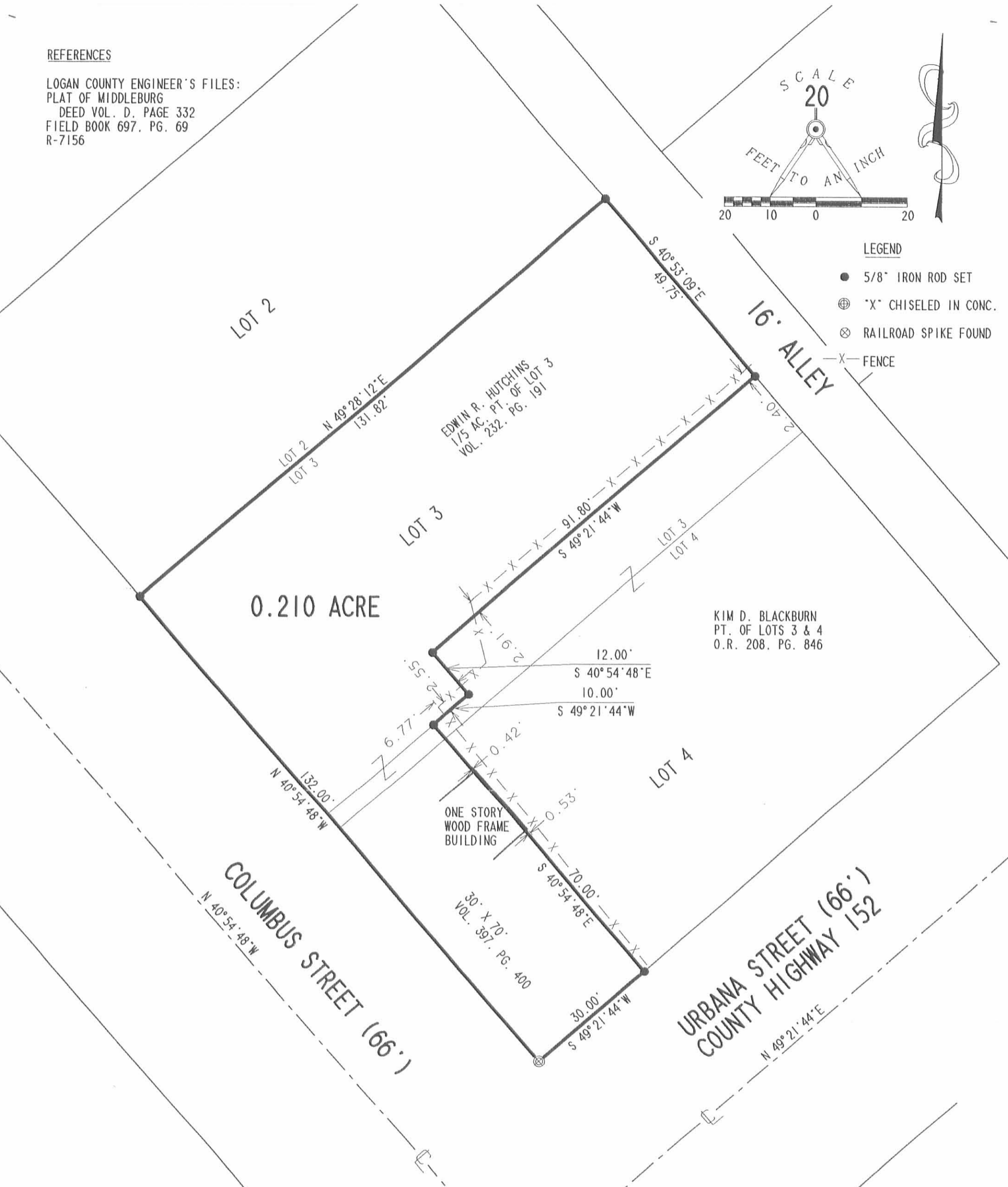
REFERENCES

LOGAN COUNTY ENGINEER'S FILES:  
 PLAT OF MIDDLEBURG  
 DEED VOL. D, PAGE 332  
 FIELD BOOK 697, PG. 69  
 R-7156



LEGEND

- 5/8" IRON ROD SET
- ⊕ "X" CHISELED IN CONC.
- ⊗ RAILROAD SPIKE FOUND
- X FENCE



RETRACEMENT SURVEY OF THE  
 EDWIN R. HUTCHINS TRACTS IN  
 OFFICIAL RECORD 232, PAGE 191  
 AND OFFICIAL RECORD 397, PAGE 400  
 VIRGINIA MILITARY SURVEY 3155  
 ZANE TOWNSHIP  
 VILLAGE OF MIDDLEBURG  
 LOGAN COUNTY, OHIO



SURVEYED BY:  
  
 JEFFREY L. LEE  
 PROFESSIONAL SURVEYOR 6359  
 DECEMBER 17, 1997

COPYRIGHT 1997 BY:  
 LEE SURVEYING & MAPPING CO., INC.  
 117 North Madriver Street  
 BELLEFONTAINE, OHIO 43311  
 (937) 593-7335

2 WORKING DAYS  
**BEFORE YOU DIG**  
 CALL TOLL FREE **800-362-2764**  
 OHIO UTILITIES PROTECTION SERVICE.

INDEXED ON MAP  
 9171 1P

ORIGINAL STAMP IN GREEN

D 321 ERH2604

L-2604-3