

**MEANS TO GOINGS SURVEY**

The following described real estate situated in the Township of Miami, County of Logan, State of Ohio and being a part of Fractional Section No. 12, Town 3, Range 13, Between the Miami Rivers Survey and being out of a 39.460 Acre tract in the name of Clarence L. Means et ux as recorded in Deed Volume No. 322 Page 870 (12-20-1967) and now being more particularly described as follows:

Beginning for reference at a 5/8 inch Rebar found at the intersection of the centerlines of C. H. No. 63 and C. H. No. 64 as shown in Logan County Engineers Field Book No. 587 Page 43 and being designated as Station No. 27 + 19.90;

Thence with the centerline of C. H. No. 63, N. 82°16'00" W. 644.42 feet to a R. R. Spike set for the true place of beginning, (Note: The centerline of C. H. No. 63 is the Basis of Bearing for this survey - N. 82°16'00" W.);

Thence continuing with the centerline of C. H. No. 63, (which is also the south line of Means' 39.460 Acre tract, N. 82°16'00" W. 259.96 feet to a R. R. Spike set, passing through a R. R. Spike set at 70.00 feet;

Thence N. 2°14'00" E. 184.91 feet to a 5/8" x 30" Rebar set, passing through a 5/8" x 30" Rebar set at 30.14 feet;

Thence S. 73°03'52" E. 213.03 feet to a 5/8" x 30" Rebar set;

Thence S. 82°16'00" E. 67.39 feet to a 5/8" x 30" Rebar set;

Thence S. 7°44'00" W. 150.00 feet to the true place of beginning, passing through a 5/8" x 30" Rebar set at 120.00 feet, containing 43,601.825 square feet or 1.001 Acres, more or less.

Of the above described tract, there is 7,842.150 square feet or 0.180 Acres in the right of way of C. H. No. 63.

I hereby certify that this description is the result of a field survey made by me on May 26, 1998.



*Daniel E. Gilbert*

DANIEL E. GILBERT, P.S.  
REG. SUR. NO. 5402  
400 N. PARK ST.  
BELLEFONTAINE, OHIO 43311  
TELEPHONE: 1 (937) 593-1428  
937

4148 ID-1

**Right of way Easement  
Description**

The following described Right of Way Easement situated in the Township of Miami, County of Logan, State of Ohio and being a part of Fractional Section No. 12, Town 3, Range 13, Between the Miami Rivers Survey and being a part of 39.460 Acre tract in the name of Clarence L. Means et ux as recorded in Deed Volume No. 322 Page 870 (12-20-1967) and now being more fully described as follows:

Beginning for reference at a 5/8 inch Rebar found at the intersection of the centerlines of C. H. No. 63 and C. H. No. 64 as shown in Logan County Engineers Field Book No. 587 Page 43 and being designated as Station No. 27 + 19.90;

Thence with the centerline of C. H. No. 63, N. 82°16'00" W. 694.42 feet to a point for the true place of beginning, (Note: The centerline of C. H. no. 63 is the Basis of Beginning for this survey - N. 82°16'00" W.);

Thence continuing with the centerline of C. H. No. 63, N. 82°16'00" W. 20.00 feet to a R. R. Spike set;

Thence N. 8°44'00" E. 139.92 feet to a point, passing through a 5/8" x 30" Rebar set at 30.00 feet;

Thence N. 73°03'52" W. 212.22 feet to a point;

Thence N. 2°14'00" E. 10.25 feet to a 5/8" x 30" Rebar set;

Thence S. 73°03'52" E. 213.03 feet to a 5/8" x 30" Rebar set;

Thence S. 82°16'00" E. 30.00 feet to a point;

Thence S. 19°36'20" W. 51.08 feet to a point;

Thence S. 8°44'00" W. 100.00 feet to the true place of beginning.

I hereby certify that this description is based on a field survey made by me on May 26, 1998.

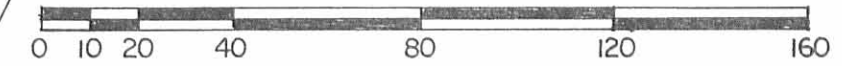
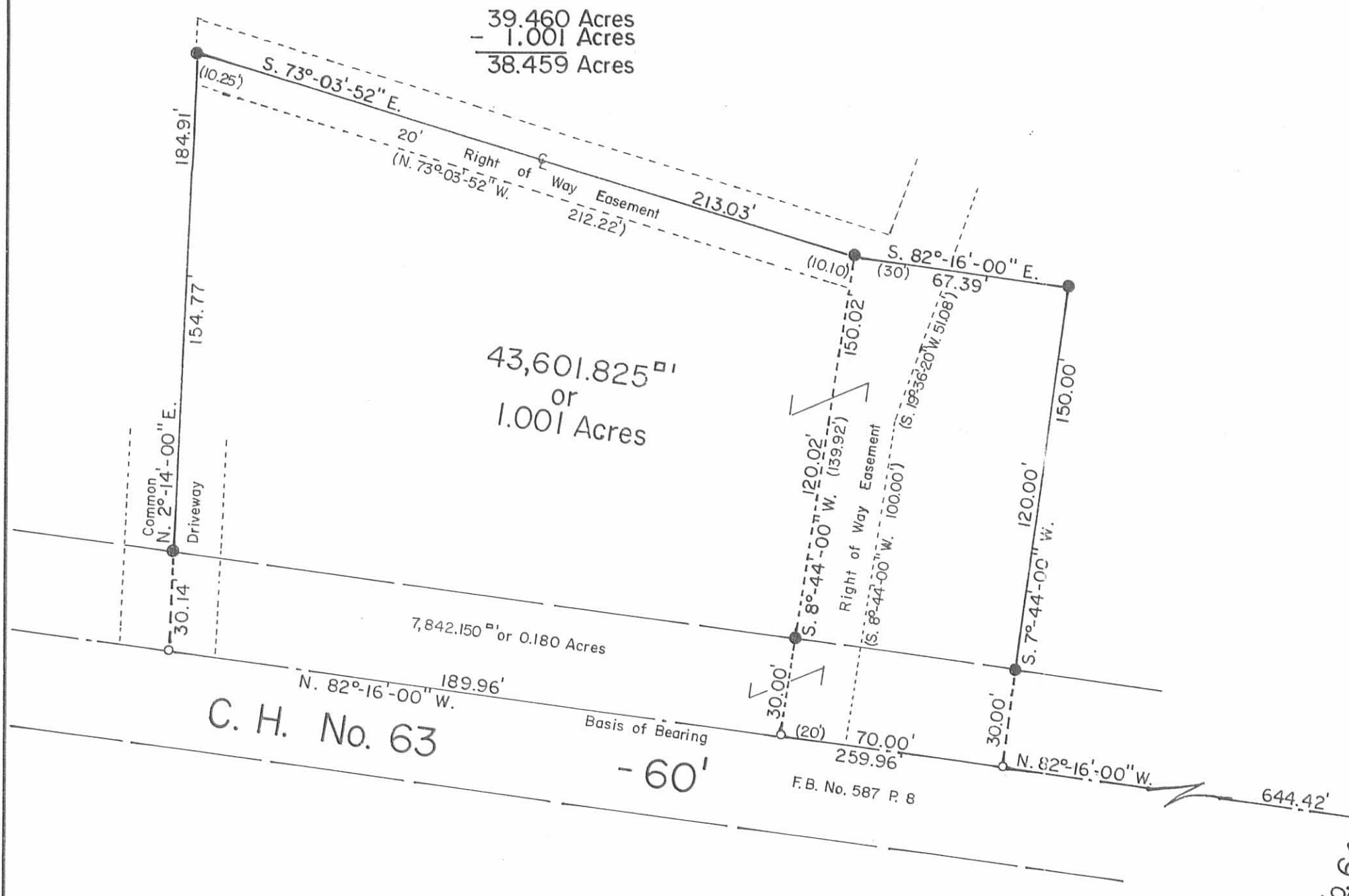


*Daniel E. Gilbert*  
DANIEL E. GILBERT, P.S.  
REG. SUR. NO. 5402  
400 N. PARK ST.  
BELLEFONTAINE, OHIO 43311  
TELEPHONE: 1 (614) 593-1428  
937

INDEXED ON MAP  
4140 1D2

Clarence L. Means et ux  
 D. Vol. No. 322 P.870 (12-20-1967)  
 25-117-00-00-028.000

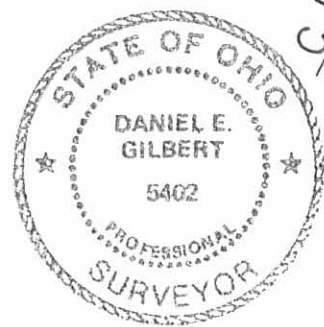
39.460 Acres  
 - 1.001 Acres  
 38.459 Acres



Scale: 1" = 40'

- SYMBOLS:
- ⊗ - 5/8" Rebar Fd.
  - - R. R. Spikes Set.
  - - 5/8" x 30" Rebars Set.

5/8" Rebar Fd.  
 F.B. No. 587 P. 43  
 Sta. No. 27+19.90



MEANS To GOINGS SURVEY  
 Section No. 12, Town 3, Range 13 BMRS.  
 Miami Township, Logan County, Ohio.

SCALE: 1" = 40'	APPROVED BY:	DRAWN BY DEG
DATE: 5-26-1998		REVISED

*Daniel E. Gilbert*  
 Daniel E. Gilbert, P.S.  
 Reg. Sur. No. 5402

DRAWING NUMBER  
 098-012

INDEXED ON MAP  
 4148 IP

Revised 12-7-00 02/2/01

# Lee Surveying and Mapping Co., Inc.

Land Surveys • Topography • Subdivisions • Construction Layout

117 N. Madriver St.  
Bellefontaine OH 43311



Phone: (937) 593-7335  
Fax: (937) 593-7444

## MEADE TRACT B 6.777 ACRES

Lying in Section 12, Town 3, Range 13, Miami Township, Logan County, Ohio.

Being out of the Steven L. Meade and Lori M. Meade original 38.459 acre tract as deeded and described in Official Record 459, Page 821, Tract I of the Logan County Records of Deeds and being more particularly described as follows:

Beginning at a MAG nail set at the intersection of the west line of Section 12 and the center-line of County Highway 63.

THENCE, with the west line of Section 12 and the east line of the Arnold O. Thompson, Jr. 7.71 acre tract (O.R. 176, Pg. 788), N 00°-20'-12" E, a distance of 272.86 feet to a 5/8 inch iron rod set, passing a 5/8 inch iron rod set at 30.03 feet.

THENCE, with the south line of the C.C.C. & St. Louis Railroad 22.680 acre tract (Vol. 129, Pg. 390), N 80°-33'-39" E, a distance of 137.83 feet to a 5/8 inch iron rod set.

THENCE, continuing with the C.C.C. & St. Louis Railroad tract, a curve to the left with a central angle of 5°-27'-20", a radius of 7823.25 feet, an arc length of 744.91 feet, a tangent of 372.74 feet, a chord length of 744.63 feet and a chord bearing N 77°-49'-59" E, to a 5/8 inch iron rod set.

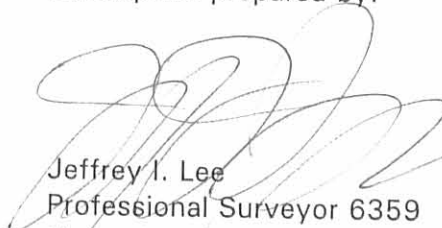
THENCE, S 2°-16'-49" E, a distance of 417.60 feet to a MAG nail set, passing a 5/8 inch iron rod set at 387.60 feet.

THENCE, with the center-line of County Highway 63 (60 feet wide), S 87°-43'-11" W, a distance of 882.79 feet to the place of beginning.

Containing 6.777 acres of which 0.608 acre is within the highway right-of-way.

The basis for bearings is the center-line of County Highway 63 west of County Highway 64 being N 82°-16'-00" W, and all other bearings are from angles and distances measured in a field survey by Lee Surveying and Mapping Co., Inc. on October 30, 2000.

Description prepared by:

  
Jeffrey I. Lee  
Professional Surveyor 6359  
November 6, 2000



ORIGINAL STAMP IN GREEN

L-3010

INDEXED ON MAP  
4148 2D-1

REC 1D 11-21-00 GMM OK ✓  
**Lee Surveying and Mapping Co., Inc.**

Land Surveys • Topography • Subdivisions • Construction Layout

117 N. Madriver St.  
Bellefontaine OH 43311



Phone: (937) 593-7335  
Fax: (937) 593-7444

**MEADE  
TRACT C  
5.286 ACRES**

Lying in Section 12, Town 3, Range 13, Miami Township, Logan County, Ohio.

Being out of the Steven L. Meade and Lori M. Meade original 38.459 acre tract as deeded and described in Official Record 459, Page 821, Tract I of the Logan County Records of Deeds and being more particularly described as follows:

Beginning at a MAG nail set at the intersection of the west line of Section 12 and the center-line of County Highway 63.

THENCE, with the center-line of County Highway 63 (60 feet wide), N 87°-43'-11" E, a distance of 882.79 feet to a MAG nail set at the TRUE POINT OF BEGINNING.

THENCE, N 2°-16'-49" W, a distance of 296.74 feet to a 5/8 inch iron rod set, passing a 5/8 inch iron rod set at 30.00 feet.

THENCE, N 87°-43'-11" E, a distance of 555.87 feet to a point, passing a 5/8 inch iron rod set at 550.87 feet.

THENCE, S 82°-16'-00" E, a distance of 246.12 feet to a 5/8 inch iron rod set, passing a 5/8 inch iron rod set at 5.00 feet.

THENCE, S 7°-44'-00" W, a distance of 296.74 feet to a MAG nail set, passing a 5/8 inch iron rod set at 266.74 feet.

THENCE, with the center-line of County Highway 63 (60 feet wide), N 82°-16'-00" W, a distance of 220.13 feet to a railroad spike found.

THENCE, with the center-line of County Highway 63, S 87°-43'-11" W, a distance of 529.87 feet to the place of beginning.

Containing 5.286 acres of which 0.518 acre is within the highway right-of-way.

The basis for bearings is the center-line of County Highway 63 west of County Highway 64 being N 82°-16'-00" W, and all other bearings are from angles and distances measured in a field survey by Lee Surveying and Mapping Co., Inc. on October 30, 2000.

Description prepared by:

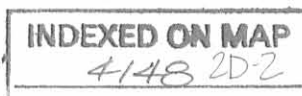
A handwritten signature in black ink, appearing to read 'Jeffrey I. Lee', is written over a circular professional seal. The signature is fluid and cursive.

Jeffrey I. Lee  
Professional Surveyor 6359  
November 6, 2000



ORIGINAL STAMP IN GREEN

L-3010



RECID 11-21-00 SMY OLV

# Lee Surveying and Mapping Co., Inc.

Land Surveys • Topography • Subdivisions • Construction Layout

117 N. Madriver St.  
Bellefontaine OH 43311



Phone: (937) 593-7335  
Fax: (937) 593-7444

## MEADE TRACT D 21.830 ACRES

Lying in Section 12, Town 3, Range 13, Miami Township, Logan County, Ohio.

Being out of the Steven L. Meade and Lori M. Meade original 38.459 acre tract as deeded and described in Official Record 459, Page 821, Tract I of the Logan County Records of Deeds and being more particularly described as follows:

Beginning at a 5/8 inch iron rod found at the intersection of the center-lines of County Highway 63 and County Highway 64.

THENCE, with the center-line of County Highway 63 (60 feet wide), N 82°-16'-00" W, a distance of 389.79 feet to a railroad spike found at the TRUE POINT OF BEGINNING.

THENCE, continuing with the center-line of County Highway 63, N 82°-16'-00" W, a distance of 252.67 feet to a railroad spike found.

THENCE, with the lines of the Gary Goings 1.001 acre tract (O.R. 448, Pg. 149), the following three courses:

N 7°-43'-59" E, a distance of 149.86 feet to a 5/8 inch iron rod found, passing a 5/8 inch iron rod found at 30.00 feet.

N 82°-08'-11" W, a distance of 67.21 feet to a 5/8 inch iron rod found.

N 73°-03'-25" W, a distance of 212.73 feet to a 5/8 inch iron rod found.

THENCE, with the lines of the Boyd David Manning 1.055 acre tract (O.R. 468, Pg. 882, Tract I), the following five courses:

N 7°-44'-00" E, a distance of 64.47 feet to a 5/8 inch iron rod found.

N 82°-16'-00" W, a distance of 48.78 feet to a 5/8 inch iron rod found.

N 86°-52'-27" W, a distance of 36.46 feet to a 5/8 inch iron rod found.

N 82°-16'-00" W, a distance of 94.50 feet to a 5/8 inch iron rod found.

S 7°-44'-00" W, a distance of 245.60 feet to a MAG nail found, passing a 5/8 inch iron rod found at 215.60 feet.

THENCE, with the center-line of County Highway 63, N 82°-16'-00" W, a distance of 60.00 feet to a MAG nail set.

THENCE, N 7°-44'-00" E, a distance of 296.74 feet to a 5/8 inch iron rod set, passing a 5/8 inch iron rod set at 30.00 feet.

THENCE, N 82°-16'-00" W, a distance of 246.12 feet to a point, passing a 5/8 inch iron rod set at 241.12 feet.

THENCE, S 87°-43'-11" W, a distance of 555.87 feet to a 5/8 inch iron rod set, passing a 5/8 inch iron rod set at 5.00 feet.

THENCE, N 2°-16'-49" W, a distance of 120.86 feet to a 5/8 inch iron rod set.

INDEXED ON MAP  
4148 2D-3

# Lee Surveying and Mapping Co., Inc.

Land Surveys • Topography • Subdivisions • Construction Layout

117 N. Madriver St.  
Bellefontaine OH 43311



Phone: (937) 593-7335  
Fax: (937) 593-7444

THENCE, with the south line of C.C.C. & St. Louis Railroad 22.680 acre tract (Vol. 129, Pg. 390), a curve to the left with a central angle of  $9^{\circ}-44'-39''$ , a radius of 7823.25 feet, an arc length of 1330.50 feet, a tangent of 666.86 feet, a chord length of 1328.89 feet and a chord bearing  $N 70^{\circ}-13'-59'' E$ , to a 5 inch square concrete post found.

THENCE, continuing with the C.C.C. & St. Louis Railroad tract,  $N 16^{\circ}-52'-33'' W$ , a distance of 55.51 feet to a 5 inch square concrete post found.

THENCE, continuing with the C.C.C. & St. Louis Railroad tract, a curve to the left with a central angle of  $2^{\circ}-35'-24''$ , a radius of 7768.25 feet, an arc length of 351.14 feet, a tangent of 175.60 feet, a chord length of 351.11 feet and a chord bearing  $N 64^{\circ}-00'-39'' E$ , to a point, passing a 5/8 inch iron rod set at a chord length of 343.54 feet.

THENCE, with the west line of the J. Malcolm Meade 108.16 acre tract (Vol. 282, Pg. 29),  $S 19^{\circ}-07'-49'' E$ , a distance of 993.26 feet to a 1-1/2 inch iron pipe found.

THENCE, with the lines of the William L. Weiskittle 2.28 acre tract (O.R. 31, Pg. 327), the following three courses:

$N 81^{\circ}-39'-19'' W$ , a distance of 200.00 feet to a 1 inch iron pipe found.

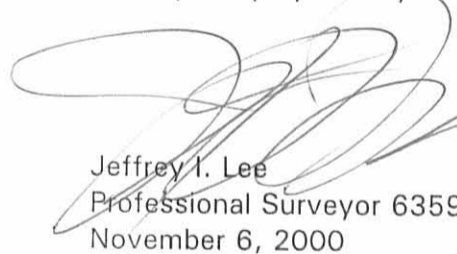
$S 43^{\circ}-33'-01'' W$ , a distance of 138.80 feet to a point in the water.

$S 17^{\circ}-29'-25'' W$ , a distance of 184.30 feet to the place of beginning.

Containing 21.830 acres of which 0.217 acre is within the highway right-of-way.

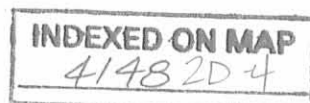
The basis for bearings is the center-line of County Highway 63 west of County Highway 64 being  $N 82^{\circ}-16'-00'' W$ , and all other bearings are from angles and distances measured in a field survey by Lee Surveying and Mapping Co., Inc. on October 30, 2000.

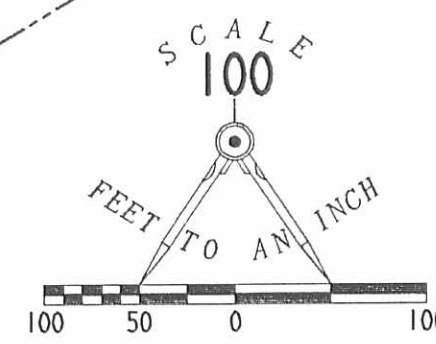
Description prepared by:

  
Jeffrey I. Lee  
Professional Surveyor 6359  
November 6, 2000

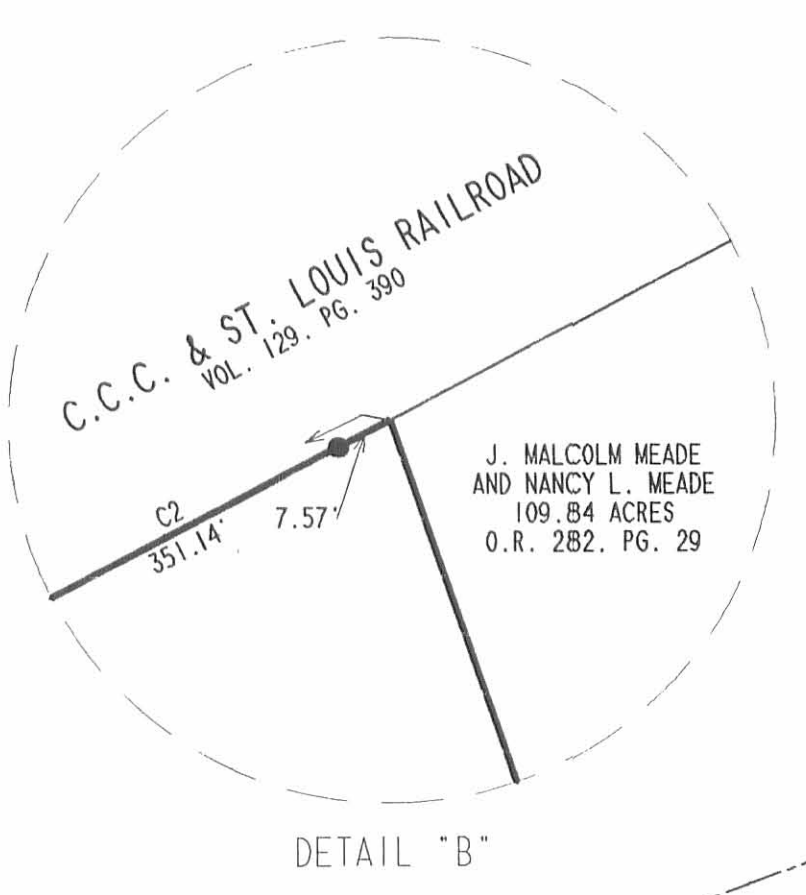


L-3010





CURVE	DELTA ANGLE	RADIUS	ARC	TANGENT	CHORD	CHORD BEARING
C 1	15° 11' 59"	7823.25'	2075.40'	1043.83'	2069.32'	N 72° 57' 39" E
C 2	2° 35' 24"	7768.25'	351.14'	175.60'	351.11'	N 64° 00' 39" E
C 3	9° 44' 39"	7823.25'	1330.50'	666.86'	1328.89'	N 70° 13' 59" E
C 4	5° 27' 20"	7823.25'	744.91'	372.74'	744.63'	N 77° 49' 59" E



- LEGEND:
- 5/8 INCH IRON ROD SET
  - ⊙ MAG NAIL SET
  - 5/8 INCH IRON ROD FOUND
  - ⊗ MAG NAIL FOUND
  - ⊗ RAILROAD SPIKE FOUND
  - ⊗ 5 INCH SQUARE CONCRETE POST FOUND
  - 1-1/2 INCH IRON PIPE FOUND
  - ⊗ 1 INCH IRON PIPE FOUND

SECTION 18, TOWN 3, RANGE 13  
SECTION 12, TOWN 3, RANGE 13

C.C.C. & ST. LOUIS RAILROAD  
VOL. 129, PG. 390  
21,680 ACRES

TRACT D  
21.830 ACRES  
OF WHICH 0.217 ACRE IS WITHIN  
THE HIGHWAY RIGHT-OF-WAY

STEVEN L. MEADE AND LORI M. MEADE  
ORIG 38.459 ACRE TRACT  
O.R. 459, PAGE 821  
TRACT I

J. MALCOLM MEADE  
AND NANCY L. MEADE  
109.160 ACRES  
VOL. 282, PG. 29

ARNOLD O. THOMPSON, JR.  
7.71 ACRES  
O.R. 176, PG. 788

TRACT B  
6.777 ACRES  
OF WHICH 0.606 ACRE IS WITHIN  
THE HIGHWAY RIGHT-OF-WAY

TRACT C  
5.286 ACRES  
OF WHICH 0.518 ACRE IS WITHIN  
THE HIGHWAY RIGHT-OF-WAY

BOYD DAVID MANNING  
1.055 ACRES  
O.R. 468, PG. 882  
TRACT I

GARY GOINGS  
AND LINDA GOINGS  
1.001 ACRE  
O.R. 448, PG. 149

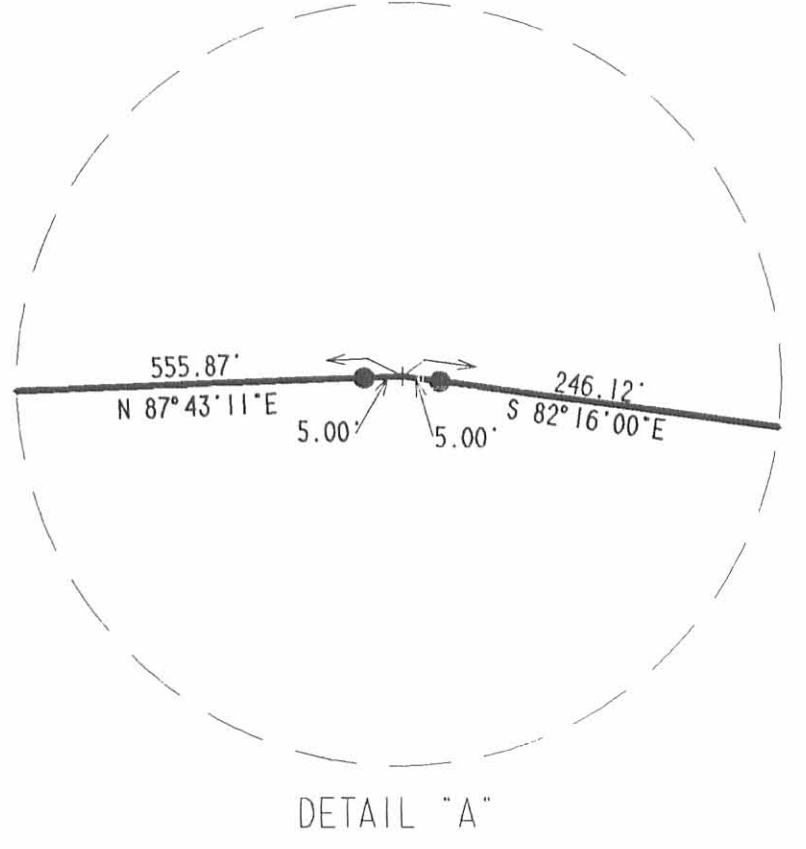
WILLIAM L. WEISKITTE  
AND SUZANNE WEISKITTE  
2.28 ACRES  
O.R. 31, PG. 327

COUNTY HIGHWAY 63 (60' R/W)

COUNTY HIGHWAY 63 (50' R/W)

COUNTY HIGHWAY 64 (60' R/W)

SURVEY OF THREE TRACTS OUT OF THE  
STEVEN L. MEADE AND LORI M. MEADE  
ORIGINAL 38.459 ACRE TRACT  
OFFICIAL RECORD 459, PAGE 821  
TRACT I  
SECTION 12, TOWN 3, RANGE 13  
MIAMI TOWNSHIP  
LOGAN COUNTY, OHIO



SURVEYED BY:  
JEFFREY L. LEE  
PROFESSIONAL SURVEYOR 6359  
OCTOBER 30, 2000  
REVISED: DECEMBER 1, 2000



COPYRIGHT 2000 BY:  
LEE SURVEYING & MAPPING CO., INC.  
117 North Medriver Street  
BELLEFONTAINE, OHIO 43311  
(937) 593-7335

D-390 SMEAD633 SMEAD63.DAT L-3010-2

2 WORKING DAYS  
BEFORE YOU DIG  
CALL TOLL FREE 800-362-2764  
OHIO UTILITIES PROTECTION SERVICE

INDEXED ON MAP  
4148 2P



REC'D 10-3-00 SMY OK ✓

# Lee Surveying and Mapping Co., Inc.

Land Surveys • Topography • Subdivisions • Construction Layout

117 N. Madriver St.  
Bellefontaine OH 43311



Phone: (937) 593-7335  
Fax: (937) 593-7444

## MEADE 1.055 ACRES

Lying in Section 12, Town 3, Range 13, Miami Township, Logan County, Ohio.

Being out of the Steven L Meade and Lori M. Meade original 38.459 acre tract as deeded and described in Official Record 459, Page 821, Tract I of the Logan County Records of Deeds and being more particularly described as follows:

Beginning at a 5/8 inch iron rod found at the intersection of the center-lines of County Highway 63 and County Highway 64 at station 27 + 19.90 of the Logan County Engineer's files Field Book 587, Page 43.

THENCE, with the centerline of County Highway 63, N 82°-16'-00" W, a distance of 901.94 feet to a railroad spike found at the TRUE POINT OF BEGINNING.

THENCE, with the centerline of County Highway 63, N 82°-16'-00" W, a distance of 197.34 feet to a MAG nail set.

THENCE, N 07°-44'-00" E, a distance of 245.60 feet to a 5/8 inch iron rod set, passing a 5/8 inch iron rod set at 30.00 feet.

THENCE, S 82°-16'-00" E, a distance of 94.50 feet to a 5/8 inch iron rod set.

THENCE, S 86°-52'-27" E, a distance of 36.46 feet to a 5/8 inch iron rod set.

THENCE, S 82°-16'-00" E, a distance of 48.78 feet to a 5/8 inch iron rod set.

THENCE, S 07°-44'-00" W, a distance of 64.47 feet to a 5/8 inch iron rod found.

THENCE, with the west line of the Gary Goings 1.001 acre tract (O.R. 448, Pg. 149), S 02°-14'-00" W, a distance of 184.91 feet to the place of beginning, passing a 5/8 inch iron rod found a distance of 157.44 feet.

Containing 1.055 acre of which 0.135 is within the highway right-of-way.

The basis for bearings is the center line of County Highway 63 being, N 82°-16'-00" W, and all other bearings are from angles and distances measured in a field survey by Lee Surveying and Mapping Co., Inc. on September 18, 2000.

Description prepared by:

Jeffrey I. Lee  
Professional Surveyor 6359  
September 20, 2000  
Revised September 29, 2000



ORIGINAL STAMP IN GREEN

L-3010

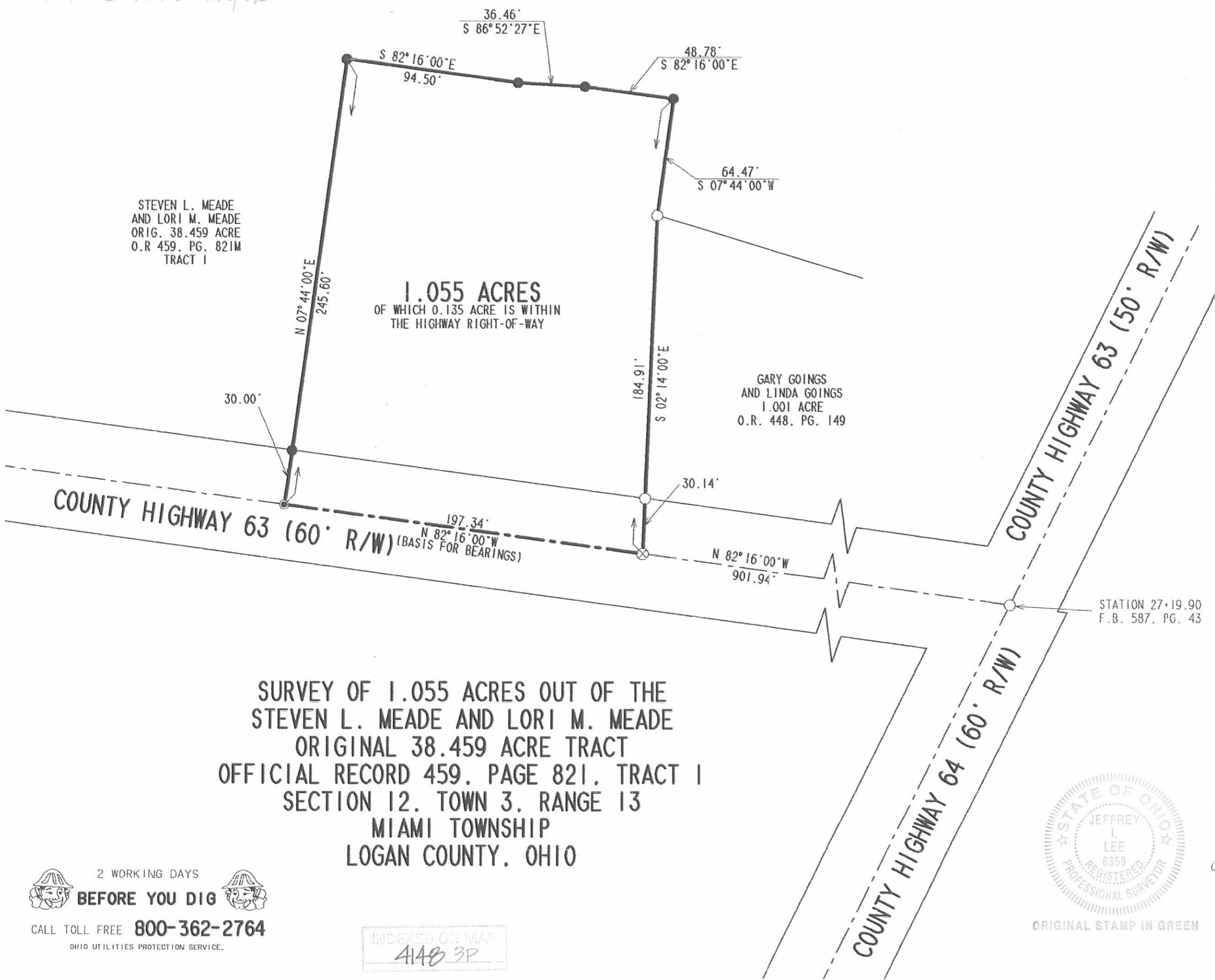
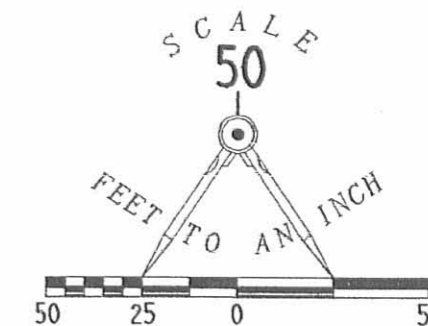
INDEXED ON MAP  
448 3D

REC'D 9-27-00 SWM OK

STEVEN L. MEADE  
AND LORI M. MEADE  
ORIG. 38.459 ACRE  
O.R. 459, PG. 821M  
TRACT 1

1.055 ACRES  
OF WHICH 0.135 ACRE IS WITHIN  
THE HIGHWAY RIGHT-OF-WAY

GARY GOINGS  
AND LINDA GOINGS  
1.001 ACRE  
O.R. 448, PG. 149



- LEGEND:
- 5/8 INCH IRON ROD SET
  - ⊙ MAG NAIL SET
  - 5/8 INCH IRON ROD FOUND
  - ⊗ RAILROAD SPIKE FOUND

COUNTY HIGHWAY 63 (60' R/W)  
N 82° 16' 00" W (BASIS FOR BEARINGS)  
197.34'

COUNTY HIGHWAY 63 (50' R/W)

COUNTY HIGHWAY 64 (60' R/W)

STATION 27+19.90  
F.B. 587, PG. 43

SURVEY OF 1.055 ACRES OUT OF THE  
STEVEN L. MEADE AND LORI M. MEADE  
ORIGINAL 38.459 ACRE TRACT  
OFFICIAL RECORD 459, PAGE 821, TRACT 1  
SECTION 12, TOWN 3, RANGE 13  
MIAMI TOWNSHIP  
LOGAN COUNTY, OHIO



SURVEYED BY:  
*[Signature]*  
JEFFREY I. LEE  
PROFESSIONAL SURVEYOR 6359  
SEPTEMBER 18, 2000

COPYRIGHT 2000 BY:  
LEE SURVEYING & MAPPING CO., INC.  
117 North Madriver Street  
BELLEFONTAINE, OHIO 43311  
(937) 593-7335

2 WORKING DAYS  
**BEFORE YOU DIG**  
CALL TOLL FREE **800-362-2764**  
OHIO UTILITIES PROTECTION SERVICE.

INDEXED ON MAP  
4148 3P

REC'D 9-12-95 SMLY OK ✓



# Lee Surveying and Mapping Co.



Farm Surveys • Lot Surveys • Topography • Subdivisions • Construction Layout

143 EAST COLUMBUS AVENUE  
BELLEFONTAINE, OHIO 43311

(513) 593-7335

JEFFREY I. LEE, P.S.

## J. MALCOLM MEADE 17.013 ACRES

Lying in Section 12, Town 3, Range 13, Village of Degraff and Miami Township, Logan County, Ohio.

Being out of the J. Malcolm Meade original 108.16 acre tract as deeded and described in Volume 282, Page 29, Tracts I & II of the Logan County Records of Deeds and being more particularly described as follows:

Beginning at a 3/4 inch iron bar found at an angle in the center-line of Mill Street (Township Road 256 at Station 17+00, Logan County Engineer's Field Book 490, Pages 75-78) and a west corporation line of the Village of Degraff.

THENCE, with the center-line of Mill Street (60 feet wide), N 4°-58'-19" E, a distance of 98.55 feet to a railroad spike set at the TRUE POINT OF BEGINNING.

THENCE, S 63°-25'-25" W, a distance of 2000.38 feet to a 5/8 inch iron rod set.

THENCE, N 75°-53'-19" W, a distance of 314.90 feet to a 5/8 inch iron rod set.

THENCE, with the south lines of the Dale Wade 58.579 acre tract (O.R. 104, Pg. 934) the following five courses:

N 48°-32'-17" E, a distance of 420.59 feet to a 5/8 inch iron rod set.

N 52°-18'-19" E, a distance of 100.00 feet to a 5/8 inch iron rod set.

N 59°-02'-52" E, a distance of 100.00 feet to a 5/8 inch iron rod set.

N 62°-12'-17" E, a distance of 100.00 feet to a 5/8 inch iron rod set.

N 63°-25'-25" E, a distance of 1711.60 feet to a mine spike found.

THENCE, with the center-line of Mill Street the following two courses:

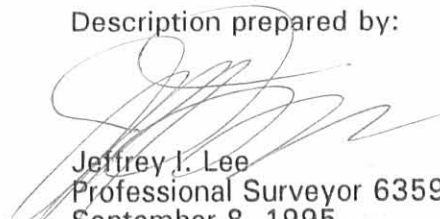
S 40°-32'-32" E, a distance of 40.00 feet to a 5/8 inch iron rod set.

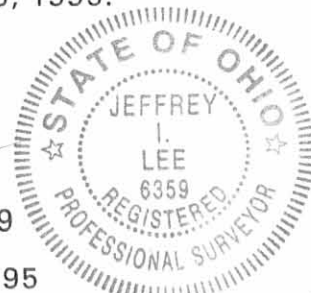
S 4°-58'-19" W, a distance of 356.21 feet to the point of beginning.

Containing 17.013 acres of which 0.600 acre is in the Village of Degraff with 0.273 acre in the right-of-way of Mill Street.

The basis for bearings is based upon the south line of the aforementioned 58.579 acre tract being N 63°-25'-25" E, and all other bearings are from angles and distances measured in a field survey by Lee Surveying and Mapping Company on September 5, 1995.

Description prepared by:

  
Jeffrey I. Lee  
Professional Surveyor 6359  
September 8, 1995  
Revised September 12, 1995



INDEXED ON MAP  
4148 4D

ORIGINAL STAMP IN GREEN L 2324

**REFERENCES**

LOGAN COUNTY ENGINEER'S FILES:  
 FIELD BOOK 490, PAGES 75-78  
 X-256  
 R-1461  
 R-2744

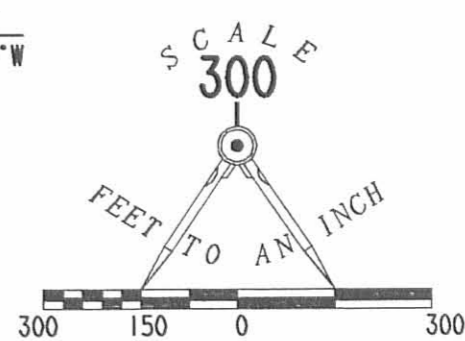
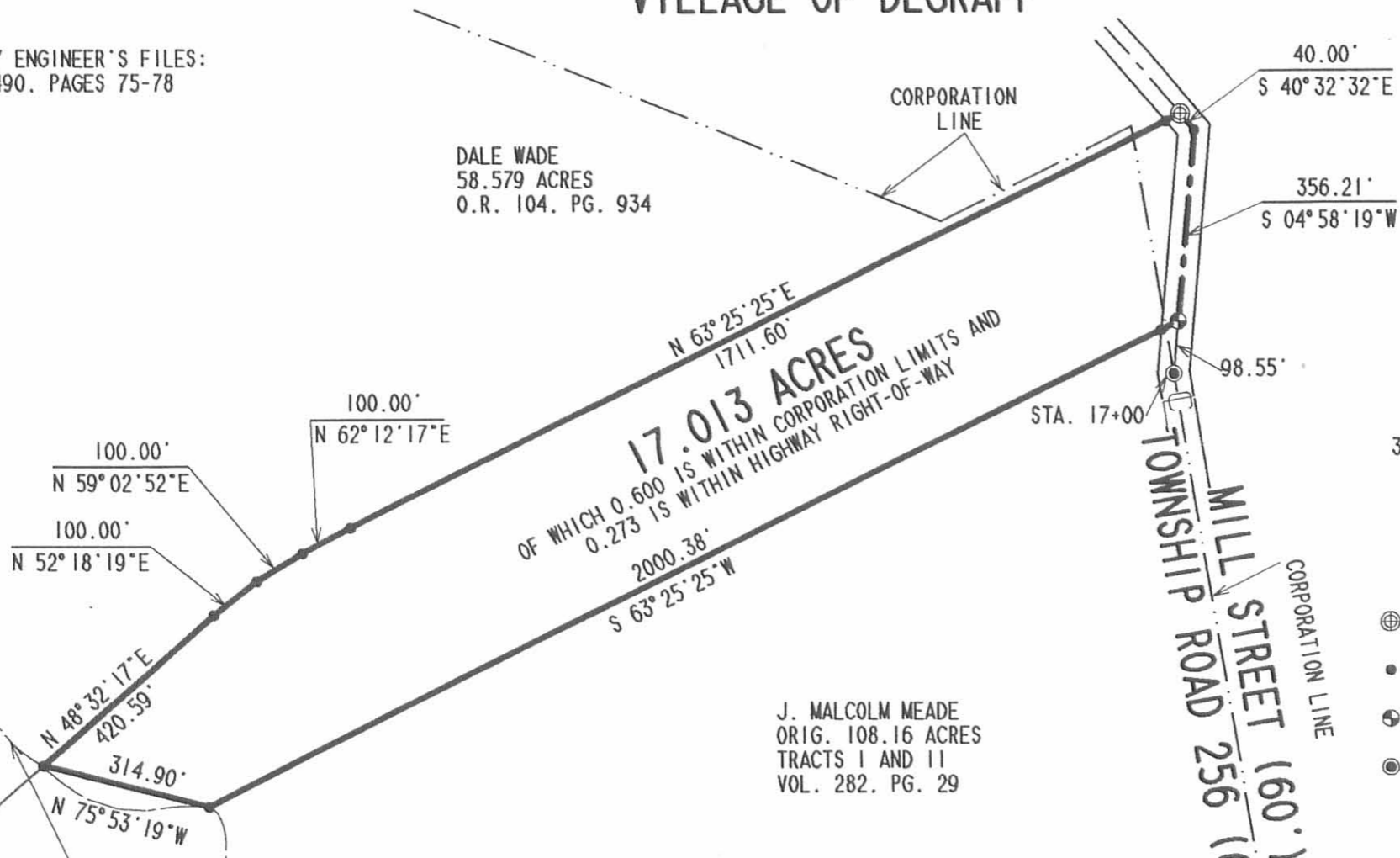
**VILLAGE OF DEGRAFF**

DALE WADE  
 58.579 ACRES  
 O.R. 104. PG. 934

**17.013 ACRES**  
 OF WHICH 0.600 IS WITHIN CORPORATION LIMITS AND  
 0.273 IS WITHIN HIGHWAY RIGHT-OF-WAY

J. MALCOLM MEADE  
 ORIG. 108.16 ACRES  
 TRACTS I AND II  
 VOL. 282. PG. 29

**SURVEY OF 17.013 ACRES OUT OF  
 THE J. MALCOLM MEADE ORIGINAL 108.16 ACRES  
 VOLUME 282. PAGE 29. TRACTS I AND II  
 SECTION 12. TOWN 3. RANGE 13  
 VILLAGE OF DEGRAFF AND  
 MIAMI TOWNSHIP  
 LOGAN COUNTY, OHIO**



**LEGEND**

- ⊕ MINE SPIKE FOUND
- 5/8" IRON ROD SET
- ⊙ RAILROAD SPIKE SET
- ⊙ 3/4" IRON BAR FOUND

INDEXED ON MAP  
 4148 4P



ORIGINAL STAMP IN GREEN

SURVEYED BY

JEFFREY I. LEE  
 PROFESSIONAL SURVEYOR 6359  
 SEPTEMBER 5, 1995  
 REV. SEPTEMBER 12, 1995

COPYRIGHT 1995 BY:  
**LEE SURVEYING & MAPPING CO.**  
 143 East Columbus Avenue  
 BELLEFONTAINE, OHIO 43311  
 (513) 593-7335

2 WORKING DAYS  
**BEFORE YOU DIG**  
 CALL TOLL FREE **800-362-2764**  
 OHIO UTILITIES PROTECTION SERVICE.