



# Lee Surveying and Mapping Co., Inc.



Land Surveys • Topography • Subdivisions • Construction Layout

117 N. Madriver Street  
Bellefontaine OH 43311

Phone: (937) 593-7335  
Fax: (937) 593-7444

## MARY LOU KING 2.875 ACRES

Lying in Section 34, Town 5, Range 13, Liberty Township, Logan County, Ohio.

Being out of the Mary Lou King original 127.169 acre tract as deeded and described in Official Record 355, Page 471 of the Logan County Records of Deeds and being more particularly described as follows:

Beginning at a 5/8 inch iron rod found at the intersection of center-lines of Township Road 192 and State Route 508.

THENCE, with the center-line of Township Road 192 (60 feet wide) the following 2 courses:

S 4°-51'-45" W, a distance of 2003.52 feet to a railroad spike found.

S 5°-24'-31" W, a distance of 292.89 feet to a railroad spike set at the TRUE POINT OF BEGINNING.

THENCE, S 85°-41'-17" E, a distance of 708.12 feet to a 5/8 inch iron rod found, passing a 5/8 inch iron rod set at 20.00 feet.

THENCE, with the west line of the Charles M. Clark 20.331 acre tract (O.R. 218, Pg. 428), the following 2 courses:

S 10°-18'-20" W, a distance of 48.70 feet to a 5/8 inch iron rod found.

S 30°-58'-20" W, a distance of 155.85 feet to a 5/8 inch iron rod found.

THENCE, with the north line of the Charles M. Clark 5.000 acre tract (O.R. 64, Pg. 395), N 85°-02'-02" W, a distance of 636.60 feet to a railroad spike found, passing a 5/8 inch iron rod found at 616.60 feet.

THENCE, with the center-line of Township Road 192, N 5°-24'-31" E, a distance of 180.48 feet to the point of beginning.

Containing 2.875 acres of which 0.124 acre is in the highway right-of-way.

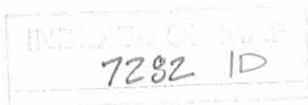
The basis for bearings is the center-line of Township Road 192 being N 5°-24'-31" E, and all other bearings are from angles and distances measured in a field survey by Lee Surveying and Mapping Company on April 6, 1999.

Description prepared by:

Jeffrey I. Lee  
Professional Surveyor 6359  
April 7, 1999



L-1223



ORIGINAL STAMP IN GREEN

REC'D 4-13-99

SMM OK V

TOWNSHIP ROAD 192 (60' WIDE)  
BASIS FOR BEARINGS

508

S 04° 51' 45" W  
2003.52'

S 05° 24' 31" W  
292.89'

N 05° 24' 31" E  
180.48'

20.00'

S 85° 41' 17" E

708.12'

**2.875 ACRES**

OF WHICH 0.124 ACRE IS  
IN THE HIGHWAY RIGHT-OF-WAY

N 85° 02' 02" W

636.60'

20.00'

48.70'

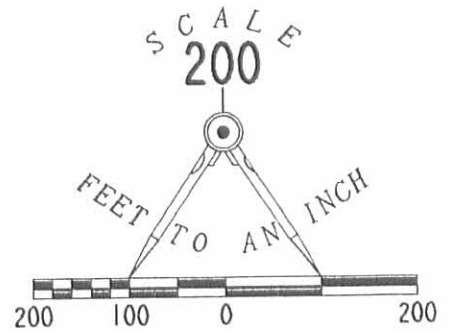
S 10° 18' 20" W

155.85'

S 30° 58' 20" W

CHARLES M. CLARK AND  
CORA LEE CLARK  
5.000 ACRES  
O.R. 64, PG. 395

CHARLES M. CLARK AND  
CORA LEE CLARK  
20.331 ACRES  
O.R. 218, PG. 428



LEGEND

- 5/8" IRON ROD SET
- 5/8" IRON ROD FOUND
- ⊙ RAILROAD SPIKE SET
- ⊗ RAILROAD SPIKE FOUND

**SURVEY OF 2.875 ACRES  
OUT OF THE**

**MARY LOU KING ORIGINAL 127.169 ACRE TRACT  
OFFICIAL RECORD 355, PAGE 472  
SECTION 34, TOWN-5, RANGE-13**

**LIBERTY TOWNSHIP  
LOGAN COUNTY  
OHIO**

SURVEYED BY:

*Jeffrey I. Lee*  
JEFFREY I. LEE  
PROFESSIONAL SURVEYOR 6359  
APRIL 6, 1999

COPYRIGHT 1999 BY:

**LEE SURVEYING & MAPPING CO., INC.**  
117 North Madriver Street  
BELLEFONTAINE, OHIO 43311

(937) 593-7335

INDEXED ON MAP  
7282 IP

2 WORKING DAYS



**BEFORE YOU DIG**



CALL TOLL FREE **800-362-2764**

OHIO UTILITIES PROTECTION SERVICE



ORIGINAL STAMP IN GREEN

D 344

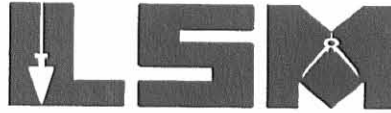
CMCIARK

1-1223-5

# Lee Surveying and Mapping Co., Inc.

Land Surveys • Topography • Subdivisions • Construction Layout

117 N. Madriver St.  
Bellefontaine OH 43311



Phone: (937) 593-7335  
Fax: (937) 593-7444

## KING 5.000 ACRES

Lying in Section 34, Town 5, Range 13, Liberty Township, Logan County, Ohio.

Being out of the Mary Lou King original 127.169 acre tract as deeded and described in Official Record 355, Page 471 of the Logan County Records of Deeds and being more particularly described as follows:

Beginning at a 5/8 inch iron rod found at the intersection of the center-lines of Ohio Route 508 and Township Road 192.

THENCE, with the center-line of Township Road 192 (60 feet wide), S 4°-51'-45" W, a distance of 1415.33 feet to a MAG nail set at the TRUE POINT OF BEGINNING.

THENCE, with the south line of the Karl Z. Smith original 78 acre tract (O.R. 186, Pg. 570, Tract 3), S 84°-19'-50" E, a distance of 806.74 feet to a 5/8 inch iron rod set, passing a 5/8 inch iron rod set at 30.00 feet.

THENCE, S 4°-51'-45" W, a distance of 270.00 feet to a 5/8 inch iron rod set.

THENCE, N 84°-19'-50" W, a distance of 806.74 feet to a MAG nail set, passing a 5/8 inch iron rod set at 776.74 feet.

THENCE, with the center-line of Township Road 192, N 4°-51'-45" E, a distance of 270.00 feet to the point of beginning.

Containing 5.000 acres, of which 0.186 acre is within the highway right-of-way.

The basis for bearings is the center-line of Township Road 192, being S 4°-51'-45" W, and all other bearings are from angles and distances measured in a field survey by Lee Surveying and Mapping Co., Inc. on March 5, 2002.

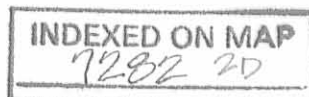
Description prepared by:



ORIGINAL STAMP IN GREEN

Jeffrey I. Lee  
Professional Surveyor 6359  
March 6, 2002

L-1223

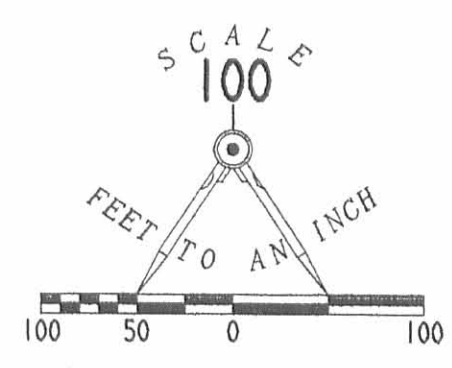


REC'D 3-11-02 SMY OK

508

LEGEND

- 5/8 INCH IRON ROD SET
- 5/8 INCH IRON ROD FOUND
- ⊙ MAG NAIL SET



KARL Z. SMITH  
 ORIG. 78 ACRES  
 O.R. 186. PG. 570  
 TRACT 3

5.000 ACRES  
 OF WHICH 0.186 ACRE IS IN THE  
 HIGHWAY RIGHT-OF-WAY

MARY LOU KING  
 ORIG. 127.169 ACRES  
 O.R. 355. PG. 471

SURVEY OF 5.000 ACRES OUT OF  
 THE MARY LOU KING  
 ORIGINAL 127.169 ACRES TRACT  
 OFFICIAL RECORD 355, PAGE 471  
 SECTION 34, TOWN 5, RANGE 13  
 LIBERTY TOWNSHIP  
 LOGAN COUNTY, OHIO

TOWNSHIP ROAD 192 (60')

S 04° 51' 45" W  
 1415.33'

(BASIS OF BEARINGS)  
 N 04° 51' 45" E  
 270.00'

30.00'

S 84° 19' 50" E  
 806.74'

30.00'

806.74'  
 N 84° 19' 50" W

270.00'  
 S 04° 51' 45" W



SURVEYED BY:  
  
 JEFFREY I. LEE  
 PROFESSIONAL SURVEYOR 6359  
 MARCH 5, 2002

COPYRIGHT 2002 BY:  
 LEE SURVEYING & MAPPING CO., INC.  
 117 North Madriver Street  
 BELLEFONTAINE, OHIO 43311  
 (937) 593-7335  
 D 406 CMCLARK L-1223-3

2 WORKING DAYS  
**BEFORE YOU DIG**  
 CALL TOLL FREE **800-362-2764**  
 OHIO UTILITIES PROTECTION SERVICE.

INDEXED ON MAP ORIGINAL STAMP IN GREEN  
 1282 2P

# Lee Surveying and Mapping Co.



CLAYTON M. LEE, P.S.  
JEFFREY I. LEE, P.S.

855 East Sandusky Avenue  
Bellefontaine, Ohio 43311  
Phone 593-5780



Farm Surveys • Lot Surveys • Topography • Subdivisions • Construction Layout

## HOSTETLER 5.00 ACRES

Lying in the east half of Section 34, T-5, R-13, Liberty Township,  
Logan County, Ohio.

Being a part of that 152.5 acres in the name of Clara Mae Hostetler,  
etal, as deeded and described in Volume 321, Page 865 (Tract 2) of the  
Logan County Records of Deeds and being more particularly described as  
follows:

Beginning at a railroad spike set on the center-line of Township Road  
192, a distance of 2014.1 feet northerly along said center-line from the  
south line of said Section 34 and being at Station 47+31.1 of the county  
highway records (F.B. 596, Page 32).

THENCE, with the center-line of said County Road 192, N 5°-24' E, a  
distance of 209.59 feet to a railroad spike.

THENCE, S 85°-02'-20" E, a distance of 937.20 feet to a 5/8" iron rod.

THENCE, parallel to the road, S 5°-24' W, a distance of 268.40 feet  
to a 5/8" iron rod set in a fence line,

THENCE, with said fence, N 71°-14' W, a distance of 124.67 feet to  
a 5/8" iron rod.

THENCE, continuing with said fence, N 85°-16'-40" W, a distance of  
258.01 feet to a 5/8" iron rod.

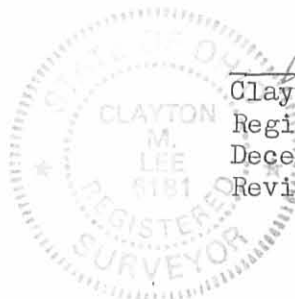
THENCE, N 81°-56'-40" W, a distance of 558.48 feet to the point of  
beginning.

Containing 5.000 acres.

Prepared by:

*Clayton M. Lee*

Clayton M. Lee  
Registered Surveyor No. 6181  
December 19, 1984  
Revised December 31, 1984



7282 3D-1

ORIGINAL STAMP IN GREEN

INDEXED ON MAP

L-1223

# Lee Surveying and Mapping Co.



CLAYTON M. LEE, P.S.  
JEFFREY I. LEE, P.S.

855 East Sandusky Avenue  
Bellefontaine, Ohio 43311  
Phone 593-5780



Farm Surveys • Lot Surveys • Topography • Subdivisions • Construction Layout

## HOSTETLER 20,331 ACRES

Lying in the east half of Section 34, T-5, R-13, Liberty Township, Logan County, Ohio.

Being a part of that 152.5 acres in the name of Clara Mae Hostetler, etal, as deeded and described in Volume 321, Page 865 (Tract 2) of the Logan County Records of Deeds and being more particularly described as follows:

Beginning at a railroad spike found on the center-line of Township Road 192, a distance of 2014.1 feet northerly along said center-line from the south line of said Section 34, being at Station 47+31.1 of the county highway records (F.B. 596, Page 32 and also being the southwest corner of a 5.000 acre tract (Volume \_\_\_\_\_, Page \_\_\_\_\_).

THENCE, with the south line of said 5.000 acre tract, S 81°-56'-40" E, a distance of 558.48 feet to a 5/8" iron rod.

THENCE, continuing with said south line, S 85°-16'-40" E, a distance of 258.01 feet to a 5/8" iron rod.

THENCE, again continuing with the south line of said 5.000 acres, S 71°-14' E, a distance of 124.67 feet to an iron rod found marking the southeast corner of said 5.000 acres. THE TRUE POINT OF BEGINNING.

THENCE, with the east line of said 5.000 acres, N 5°-24' E, a distance of 268.40 feet to an iron rod at the northeast corner of said 5.000 acres.

THENCE, with the north line of said 5.000 acres, N 85°-02'-20" W, a distance of 299.60 feet to a 5/8" iron rod.

THENCE, with a fence along the west and north lines of a pasture, the following 5 bearings and distances:

N 30°-58'-20" E, a distance of 155.85 feet to a 5/8" iron rod.

N 10°-18'-20" E, a distance of 48.70 feet to a 5/8" iron rod.

S 85°-43'-50" E, a distance of 672.35 feet to a 5/8" iron rod.

N 83°-49'-25" E, a distance of 503.31 feet to a 5/8" iron rod.

S 89°-14'-27" E, a distance of 236.22 feet to a 5/8" iron rod set on the grantor's east line and also being the west line of Brandt's 5.29 acre tract (Volume 346, Page 30).

THENCE, with said property line, S 6°-36'-28" W, a distance of 455.18 feet to a 5/8" iron rod set on the north line of C.T.S. of West Liberty's 51.96 acre tract (Volume 348, Page 997).

THENCE, with the north and west lines of said 51.96 acres, the following 2 bearings and distances:

N 86°-31'-14" W, a distance of 61.29 feet to a 5/8" iron rod.

S 6°-17'-04" W, a distance of 471.01 feet to a 5/8" iron rod.

THENCE, with a fence along the south line of the pasture, the following 3 bearings and distances:

N 84°-44'-52" W, a distance of 672.94 feet to a 5/8" iron rod.

N 5°-58'-15" E, a distance of 240.72 feet to a 5/8" iron rod.

N 71°-14' W, a distance of 434.76 feet to the point of beginning.

Containing 20.331 acres.

Prepared by:

*Clayton M. Lee*  
Clayton M. Lee  
Registered Surveyor No. 6181  
December 19, 1984  
Revised December 31, 1984



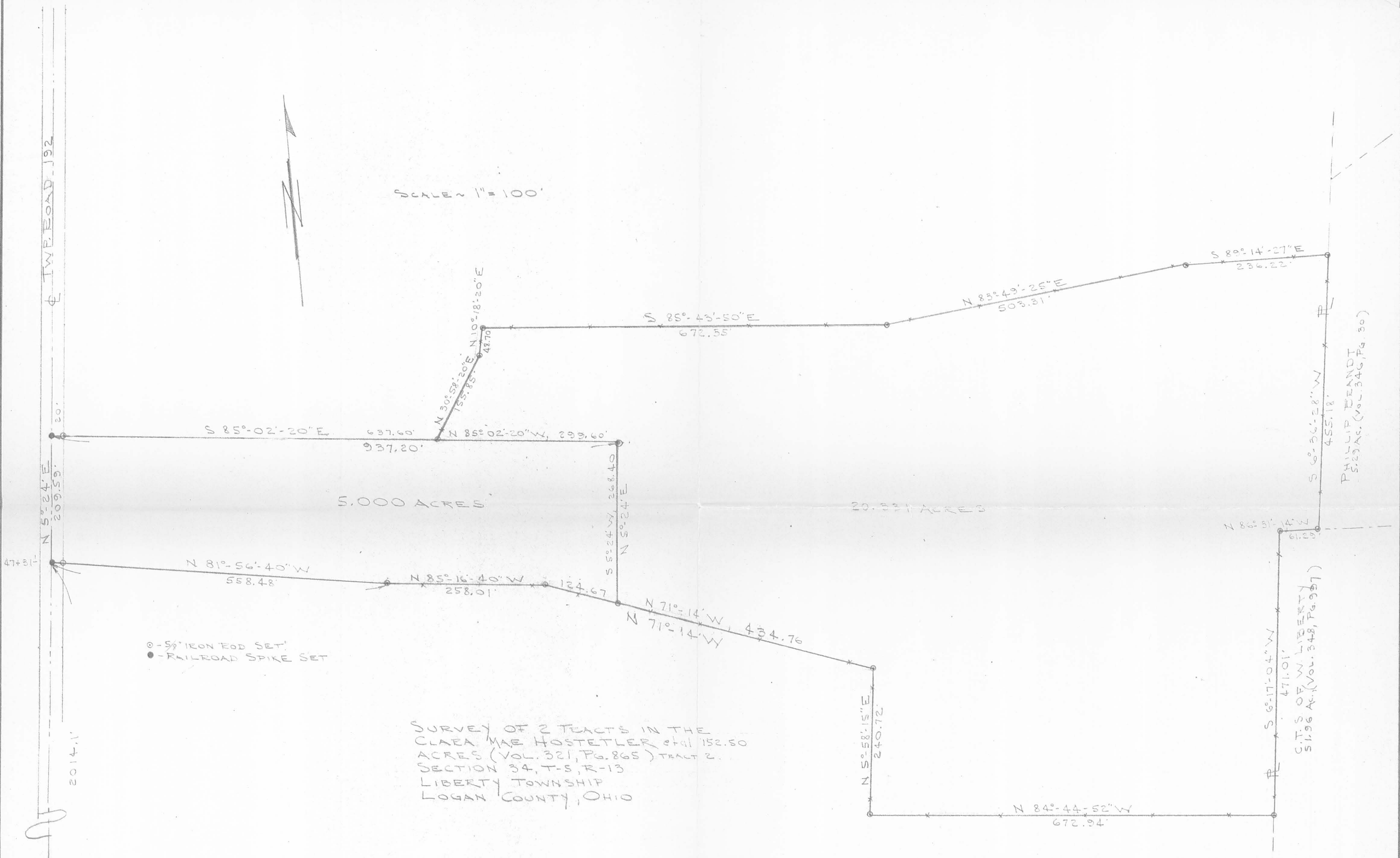
ORIGINAL STAMP IN GREEN

L-1223

7282 3D-2  
INDEXED ON MAP



SCALE 1" = 100'



○ - 5/8" IRON ROD SET  
● - RAILROAD SPIKE SET

SURVEY OF 2 TRACTS IN THE  
CLARA MAE HOSTETLER et al 152.50  
ACRES (VOL. 321, PG. 865) TRACT 2.  
SECTION 34, T-8, R-13  
LIBERTY TOWNSHIP  
LOGAN COUNTY, OHIO

PHILLIP BEANNT  
5.25 AC. (VOL. 346, PG. 30)

C.T. S. OF W. LIBERTY  
5.196 AC. (VOL. 348, PG. 957)

2014.1

27+17 SEC. 34  
SEC. 33

FOUND  
RR SPIKE  
@ STA. 27+00  
LOGAN CO. ENGR.  
FB. 596, PG. 32

7282 3P

INDEXED ON MAP



ORIGINAL STAMP IN GREEN

SURVEYED BY: *Jeffrey L. Lee*  
JEFFREY L. LEE  
REG. SURVEYOR 6359

TOLERANCES (EXCEPT AS NOTED)	REVISIONS			LEE SURVEYING & MAPPING CO.	
	NO.	DATE	BY	855 E. Sandusky Ave. BELLEFONTAINE, OHIO 43311 (513) 593-5780	MATERIAL
DECIMAL	1	12-31-84	JLL	DRAWN BY CML CHK'D DATE 12-18-84 APP'D	DRAWING NO. L-1223-2
FRACTIONAL	2	SAE EVEN			
±	3				
ANGULAR	4				
±	5				

6-26-14

# Lee Surveying and Mapping Co., Inc.



Land Surveys • Topography • Subdivisions • Construction Layout

117 N. Madriver St.  
Bellefontaine OH 43311



Phone: (937) 593-7335  
Fax: (937) 593-7444  
surveys@lsminc.us

## BARGER 35.554 ACRES

Lying in Section 34, Town 5, Range 13, Liberty Township, Logan County, Ohio.

Being out of the Gary J. Barger and Rebecca S. Barger 124.294 acre tract as deeded and described in Official Record 414, Page 417 of the Logan County Records of deeds and being more particularly described as follows:

Commencing at 5/8 inch iron found at the intersection of center-lines of Ohio Route 508 and Township Road 192 (60 feet wide).

THENCE, with the center-line of Township Road 192, S 04°-51'-45"W, a distance of 1685.33 feet to a MAG nail found at the TRUE POINT OF BEGINNING.

THENCE, with the lines of the Clinton M. Barger and Sherry L. Barger, Trustees 5.000 acre tract (O.R. 1143, Pg. 330), the following two courses:

S 84°-18'-51"E, a distance of 806.82 feet to a 5/8 inch iron rod found, passing a 5/8 inch iron rod found at 30.00 feet.

N 04°-52'-44"E, a distance of 270.00 feet to a 5/8 inch iron rod set.

THENCE, with the south line of Karl Z. Smith original 78 acre tract (O.R. 186, Pg. 570, Tract 3) S 84°-18'-05"E, a distance of 1323.62 feet to a 5/8 inch iron rod found.

THENCE, with the west line of the Elizabeth Sadler 1.606 acre tract (O.R. 912, Pg. 188), the west line of Richard L. Garland and Barbara A. Wood 1.614 acre tract (O.R. 384, Pg. 830) and the west line of the Shirley L. Brandt 5.29 acre tract (O.R. 1076, Pg. 1, Tract II) S 06°-43'-42"W, a distance of 724.73 feet to a 5/8 inch iron rod found.

THENCE, with the north line of the Randy L. Horsley and Arlene R. Horsley 20.331 acre tract (O.R. 1061, Pg. 956, Parcel II), the following three courses:

N 89°-14'-08"W, a distance of 235.89 feet to a 5/8 inch iron rod found.

S 83°-51'-15"W, a distance of 503.23 feet to a 5/8 inch iron rod found.

N 85°-41'-00"W, a distance of 672.30 feet to a 5/8 inch iron rod found.

MEMBER: AMERICAN CONGRESS ON SURVEYING & MAPPING (ACSM) \* NATIONAL SOCIETY OF PROFESSIONAL SURVEYORS (NSPS)  
7282 4D-1

PROFESSIONAL LAND SURVEYORS OF OHIO (PLSO)



# Lee Surveying and Mapping Co., Inc.

Land Surveys • Topography • Subdivisions • Construction Layout

117 N. Madriver St.  
Bellefontaine OH 43311



Phone: (937) 593-7335  
Fax: (937) 593-7444  
surveys@lsmcinc.us

THENCE, with the north line of the Timothy A. Clark and Alisha C. Clark 2.875 acre tract (O.R. 829, Pg. 37), N 85°-39'-49"W, a distance of 708.12 feet to a railroad spike found, passing a 5/8 inch iron rod found at 688.12 feet.

THENCE, with the center-line of Township Road 192, the following two courses:

N 05°-25'-59"E, a distance of 292.96 feet to a railroad spike found.

N 04°-51'-45"E, a distance of 318.17 feet to the point of beginning.

Containing 35.554 acres of which 0.421 acre is within the highway right-of-way.

Property is subject to any and all previous easements and rights-of-way of record.

The basis for bearings is the center-line of Township Road 192, being N 05°-25'-59"E, and all other bearings are from angles and distances measured in a field survey by Lee Surveying and Mapping Co., Inc. on June 16, 2014.

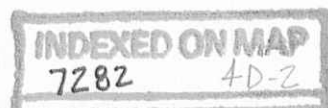
Description prepared by:

A handwritten signature in black ink that reads "William K. Bruce".

William K. Bruce  
Professional Surveyor 7437  
June 16, 2014.



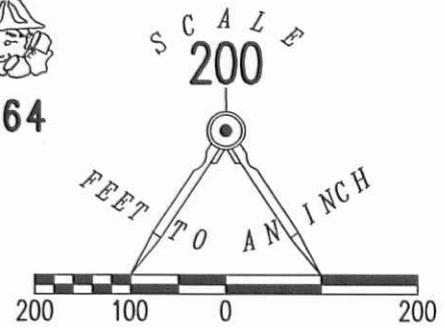
L-12230514



6-26-14

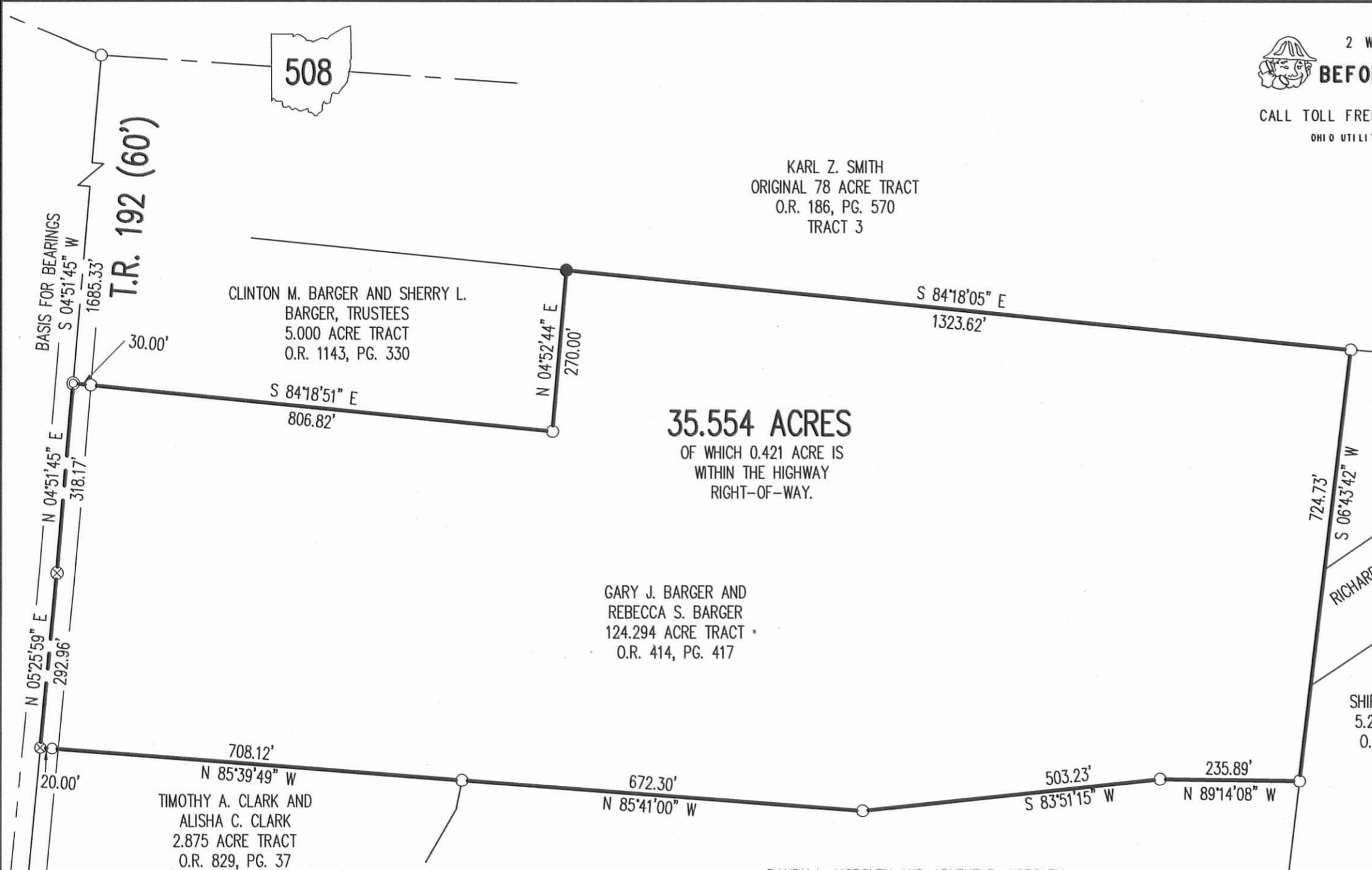
**APPROVED**

2 WORKING DAYS  
**BEFORE YOU DIG**  
CALL TOLL FREE **800-362-2764**  
OHIO UTILITIES PROTECTION SERVICE.



**LEGEND**

- 5/8 INCH IRON ROD SET WITH PLASTIC I.D. CAP STAMPED "LSM7437"
- 5/8 INCH IRON ROD FOUND
- ⊙ MAG NAIL FOUND
- ⊗ RAILROAD SPIKE FOUND



**A SURVEY OF A 35.554 ACRE TRACT OUT OF THE  
GARY J. BARGER AND REBECCA S. BARGER  
124.294 ACRES  
OFFICIAL RECORD 414, PAGE 417  
SECTION 34, TOWN 5, RANGE 13  
LIBERTY TOWNSHIP  
LOGAN COUNTY, OHIO**

SURVEYED BY:

*William K. Bruce*  
WILLIAM K. BRUCE  
PROFESSIONAL SURVEYOR 7437  
JUNE 16, 2014



COPYRIGHT 2014 BY:  
**LEE SURVEYING & MAPPING CO., INC.**  
117 North Madriver Street  
BELLEFONTAINE, OHIO 43311  
(937) 593-7335  
WWW.LSMINC.US  
surveys@lsminc.us

ADW D0514 12230514 L-1223-3

INDEXED ON MAP  
7282 4P