

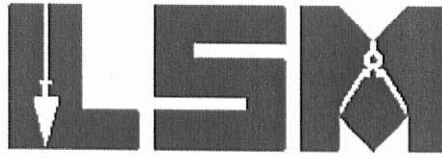
11-17-14

Lee Surveying and Mapping Co., Inc.



Land Surveys • Topography • Subdivisions • Construction Layout

117 N. Madriver St.
Bellefontaine OH 43311



Phone: (937) 593-7335
Fax: (937) 593-7444
surveys@lsminc.us

10 FEET WIDE ALLEY VACATION

Lying in Section 27, Town 6, Range 8, Village of Lakeview, Stokes Township, Logan County, Ohio.

Being all of the remaining 10 feet wide alley located in Stephenson's Addition as recorded in Plat Cabinet A, Slide 121 of the Logan County Records of Plats, lying south of the remainder of Lot 52 and all of Lot 53 and north of the remainder of Lot 54.

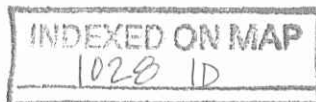


ORIGINAL STAMP IN GREEN

Description prepared by:

William K. Bruce
Professional Surveyor 7437
November 12, 2014

L-58411114



Lee Surveying and Mapping Co., Inc.

12-24-14



Land Surveys • Topography • Subdivisions • Construction Layout

117 N. Madriver St.
Bellefontaine OH 43311



Phone: (937) 593-7335
Fax: (937) 593-7444
surveys@lsminc.us

OHIO DISTRICT TRUSTEES OF UNITED MISSIONARY CHURCH, INC. 0.045 ACRE

Lying in Section 27, Town 6, Range 8, Stokes Township, Village of Lakeview, Logan County, Ohio.

Being out of the Ohio District of Trustees of United Missionary Church, INC., part of Lot 54 of Stephenson's Addition (Plat Cabinet A, Slide 222) as deeded and described in Volume 321, Page 684 of the Logan County Records of Deeds and being more particularly described as follows:

Beginning at a 5/8 inch iron rod set at the northeast corner of Lot 55 of Stephensons Addition, Plat Cabinet A, Slide 121, on the west right-of-way of Oak Street (50 feet wide).

THENCE, with the north line of Lot 55, S 82°-08'-37"W, a distance of 94.94 feet to a 5/8 inch iron rod set.

THENCE, with the east right-of-way of U.S. Route 33, with a curve to the right, having a central angle of 00°-16'-04", a radius of 4513.66 feet, an arc length of 21.10 feet, a tangent of 10.55 feet, bearing N 01°-32'-28"W, a distance of 21.10 feet to a 5/8 inch iron rod set.

THENCE, N 82°-07'-38"E, a distance of 92.62 feet to a 5/8 inch iron rod set.

THENCE, with the west right-of-way of Oak Street, S 07°-51'-23"E, a distance of 21.00 feet.

Containing 0.045 acre.

Property is subject to any and all previous easements and rights-of-way of record.

The basis for bearings is the west right-of-way of Oak Street, being S 07°-51'-23"E, and all other bearings are from angles and distances measured in a field survey by Lee Surveying and Mapping Co., Inc. on December 18, 2014.

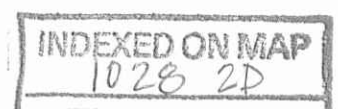
Description prepared by:

William K. Bruce

William K. Bruce
Professional Surveyor 7437
December 18, 2014



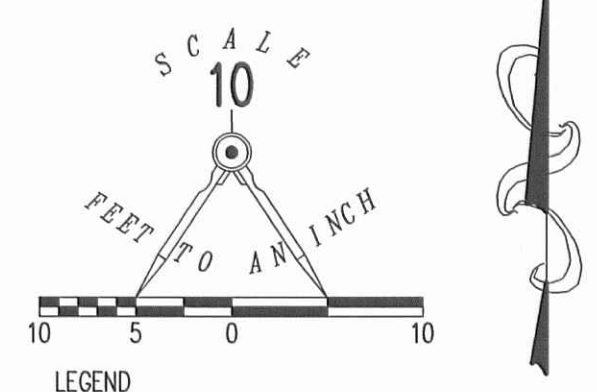
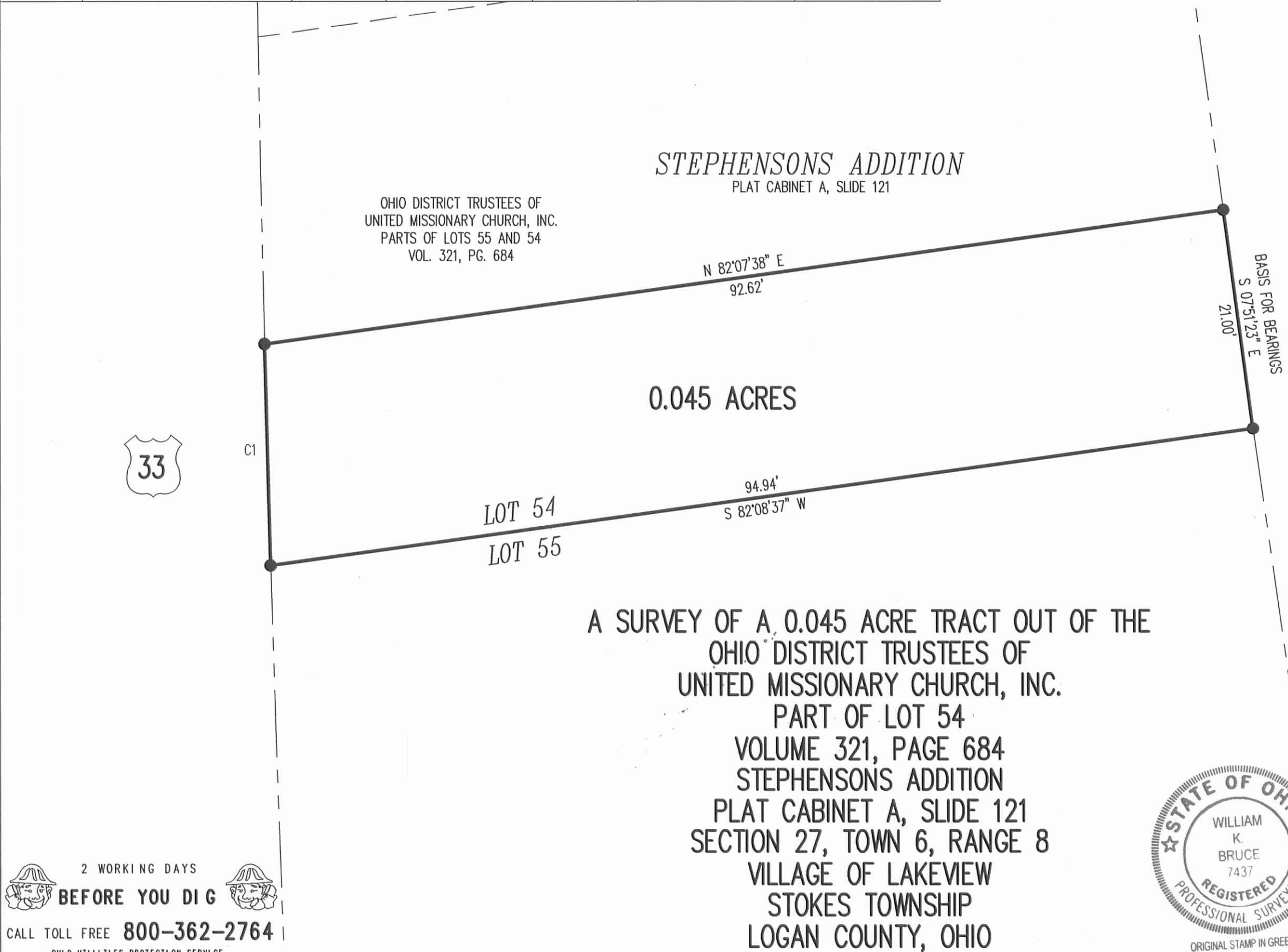
I-58411214



12-24-14

APPROVED

CURVE	DELTA ANGLE	RADIUS	ARC LENGTH	TANGENT	CHORD BEARING	CHORD LENGTH
C1	00°16'04"	4513.66'	21.10'	10.55'	N 01°32'28" W	21.10'



● 5/8 INCH IRON ROD SET WITH PLASTIC I.D. CAP STAMPED "LSM7437"



SURVEYED BY:
William K. Bruce
 WILLIAM K. BRUCE
 PROFESSIONAL SURVEYOR 7437
 DECEMBER 18, 2014

COPYRIGHT 2014 BY:
LEE SURVEYING & MAPPING CO., INC.
 117 North Madriver Street
 BELLEFONTAINE, OHIO 43311
 (937) 593-7335
 WWW.LSMINC.US
 surveys@lsminc.us
 ADW D1214 58411214 L-5841-3

2 WORKING DAYS
BEFORE YOU DIG
 CALL TOLL FREE **800-362-2764**
 OHIO UTILITIES PROTECTION SERVICE

INDEXED ON MAP
 1028 2P

12-11-17

DESCRIPTION FOR:

EWART JOHNSON

Being lot 52 in the village of Lakeview, Stokes township, Logan County, Ohio, and being more fully described as follows:

Beginning at an iron pin at the S. W. Corner of the intersection of Stephenson Street and Oak Street; thence S $31^{\circ} 09'$ E. along the West line of Oak Street a distance of 150 feet to a point, which point is the S. E. corner of lot 53; thence S $58^{\circ} 51'$ W. along the Southern line of lot 53 a distance of 50 feet to an iron pin, which pin is the S. E. Corner of lot 52 and also the true place of beginning of this tract, thence N $31^{\circ} 09'$ W. parallel to Oak Street a distance of 120.6 feet plus or minus to the intersection of said line and the East Right-of-way line of U. S. Route U. S. Route 33; thence in a Southerly direction along said Right-of-way line to the intersection of said Right-of-way line and the Southern line of Lot 52, thence N. $58^{\circ} 51'$ E. a distance of 38.3' plus or minus to the place of beginning.

INDEXED ON MAP

1028-3