

7-7-14

Lee Surveying and Mapping Co., Inc.



Land Surveys • Topography • Subdivisions • Construction Layout

117 N. Madriver St.
Bellefontaine OH 43311



Phone: (937) 593-7335
Fax: (937) 593-7444
surveys@lsminc.us

WREN, JR. 64.222 ACRES

Lying in Virginia Military Surveys 5864 and 4477, Liberty and Jefferson Townships, Logan County, Ohio.

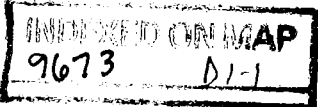
Being all of the Carl Wren, Jr., Trustee 18 acre tract, 2.37 acre tract, remainder of the 40.43 acre tract and all of the 7.80 acre tract as deeded and described in Official Record 576, Page 87, Parcel I, Tracts 1, 2, 3 and 4 of the Logan County Records of Deeds and being more particularly described as follows:

Beginning on a 1/2 inch square iron bolt found on the west line of Virginia Military Survey 5864, the southeast corner of Section 26, the northeast corner of Section 25 and the north corner of Section 19, the southwest corner of Jefferson Township and on the center-line of County Highway 1 (Ludlow Road).

THENCE, with the west line of Virginia Military Survey 5864 and the center-line of County Highway 1 (60 feet wide), N 15°-25'-24"W, a distance of 1175.00 feet to a MAG nail set.

THENCE, with the south lines of the William Ray Purk 2 acre tract and 81.91 acre tract (O.R. 1031, Pg. 54, Second Tract and first description), S 87°-35'-46"E, a distance of 2192.44 feet to a 5/8 inch iron rod set, passing a 5/8 inch iron rod set at 31.51 feet.

THENCE, with the westerly lines of Lot 6 of Sunrise Estates (Plat Cabinet A, Slide 555), the Jennie K. Ringler 2.004 acre tract (O.R. 267, Pg. 94) and the Frank Bruce Lile original 41.52 acre tract (O.R. 118 Pg. 858), S 37°-11'-12"E, a distance of 1478.72 feet to a 5/8 inch iron rod set on the south line of Virginia Military Survey 4477 and the south line of Jefferson Township.



Lee Surveying and Mapping Co., Inc.

Land Surveys • Topography • Subdivisions • Construction Layout

117 N. Madriver St.
Bellefontaine OH 43311



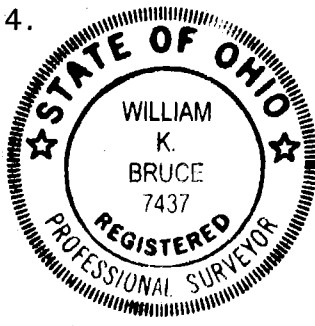
Phone: (937) 593-7335
Fax: (937) 593-7444
surveys@lsminc.us

THENCE, with the south line of Virginia Military Survey 4477 and said line extended and the south line of Jefferson Township and the north lines of the J. Dean Richardson 60.69 acre tract (O.R. 118, Pg. 858, Parcel Two, Tract I) and the Craig H. Warne 51.77 acre tract (O.R. 854, Pg. 100), N 87°-09'-49"W, a distance of 2775.18 feet to the point of beginning, passing a 5/8 inch iron rod set at 2743.59 feet.

Containing 64.222 acres, of which 0.809 acre is within the highway right-of-way. There are 57.331 acres within Virginia Military Survey 5864 and 6.891 acres within Virginia Military Survey 4477. There are 4.727 acres within Liberty Township and 59.495 acres within Jefferson Township.

Property is subject to any and all previous easements and rights-of-way of record.

The basis for bearings is the west line of Virginia Military Survey 5864, being N 15°-25'-24"W, and all other bearings are from angles and distances measured in a field survey by Lee Surveying and Mapping Co., Inc. on June 12, 2014.



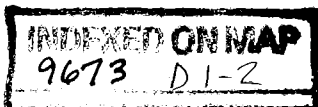
ORIGINAL STAMP IN GREEN

Description prepared by:

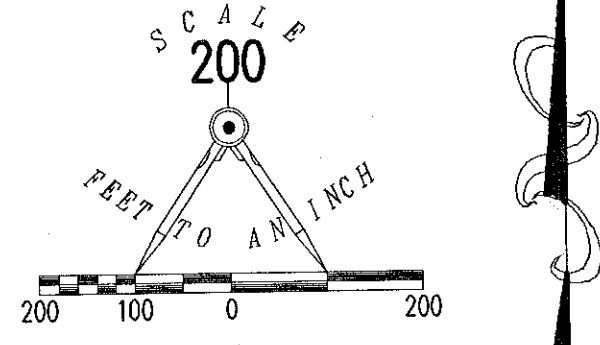
A handwritten signature in black ink that reads 'William K. Bruce'.

William K. Bruce
Professional Surveyor 7437
June 16, 2014

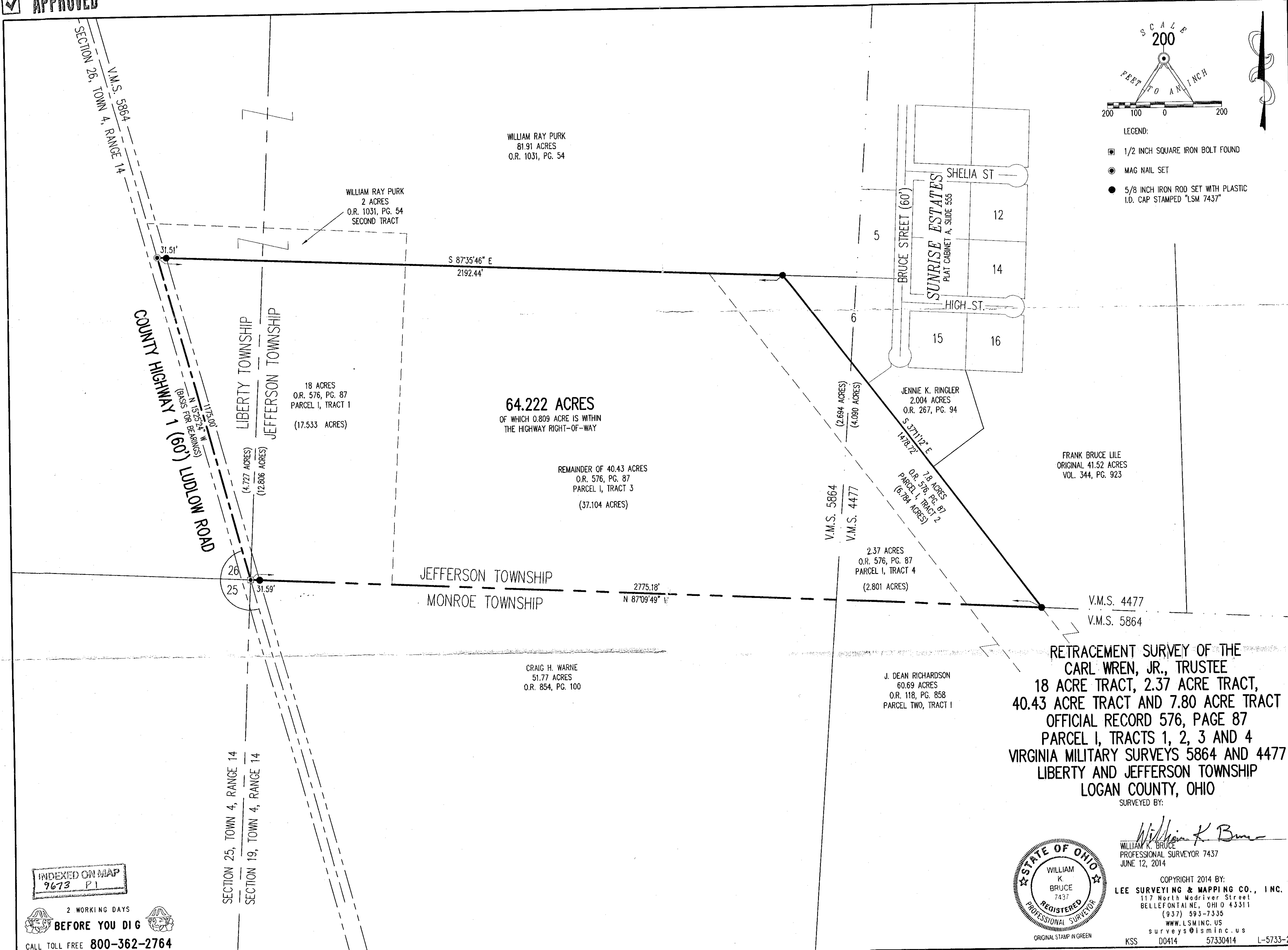
57330414



6-26-14
APPROVED

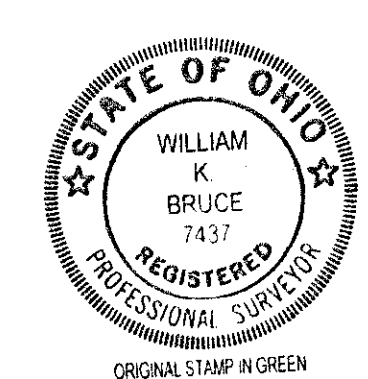


- LEGEND:
- 1/2 INCH SQUARE IRON BOLT FOUND
 - MAG NAIL SET
 - 5/8 INCH IRON ROD SET WITH PLASTIC I.D. CAP STAMPED "LSM 7437"



**RETRACEMENT SURVEY OF THE
CARL WREN, JR., TRUSTEE
18 ACRE TRACT, 2.37 ACRE TRACT,
40.43 ACRE TRACT AND 7.80 ACRE TRACT
OFFICIAL RECORD 576, PAGE 87
PARCEL I, TRACTS 1, 2, 3 AND 4
VIRGINIA MILITARY SURVEYS 5864 AND 4477
LIBERTY AND JEFFERSON TOWNSHIP
LOGAN COUNTY, OHIO**

SURVEYED BY:
William K. Bruce
WILLIAM K. BRUCE
PROFESSIONAL SURVEYOR 7437
JUNE 12, 2014



COPYRIGHT 2014 BY:
LEE SURVEYING & MAPPING CO., INC.
117 North Madriver Street
BELLEFONTAINE, OHIO 43311
(937) 593-7335
WWW.LSMINC.US
surveys@lsminc.us

INDEXED ON MAP
9673 P1

2 WORKING DAYS
BEFORE YOU DIG
CALL TOLL FREE 800-362-2764
OHIO UTILITIES PROTECTION SERVICE

KSS D0414 57330414 L-5733-2