

Bibart Survey Jefferson Township April 1962 21.30 Acres

The following described land in Jefferson Township, Logan County, Ohio and being in V.M.S. 3216

Beginning at a small iron in the center of State Route Number 33 at the S.W. corner of Herbert W. Cooksey's 84.01 acre tract. Thence with the West line of said Cooksey 84.01 acre tract N. 20 - 20 E. 1010.50 feet to the east side of a round wood post.

Thence N. 69 - 24 W. 966.00 feet to an iron. ( The last described line following the present fence line )

Thence S. 19 - 41 W. 923.00 feet to a small iron in the center of State Route Number 33.

Thence with the center line of State Route Number 33 S. 64 - 06 E. 960.20 feet to the place of beginning.

The above described tract contains 21.30 acres, and being out of the S.E. corner of the present 60.00 acre tract in the name of George Bibart.

cc  
Logan County Engineer



INDEXED ON MAP

2872 1D-1

C-1147 B-1  
4/11/62  
D.E.G.

Bibart Survey Jefferson Township April 1962 22.52 Acres  
( South of New State Route Number 33 )

The following described land in Jefferson Township, Logan County, Ohio and  
being in V.M.S. <sup>4195</sup>  
4604

Beginning at an iron in the east line of James Vanhying's 30.00 acre tract  
at the south line of State Route Number 33 ( New location as shown on Logan  
County Engineer's Plan L - 40 page 342

Thence with the south right of way line of said State Route Number 33  
( new location ) the following six courses and distances :

- S. 74 - 42 E. 27.00 feet to a concrete right of way marker.
- S. 73 - 30 E. 271.80 feet to a hub stake.
- S. 76 - 48 E. 159.30 feet to a concrete right of way marker.
- S. 76 - 36 E. 383.40 feet to a concrete right of way marker.
- S. 29 - 30 E. 115.90 feet to a concrete right of way marker.
- S. 78 - 45 E. 50.00 feet to a small iron in the center of County Road  
Number 28.

Thence with the center of said County Road Number 28 S. 11 - 15 W.  
725.50 feet to an iron.

Thence S. 82 - 32 W. 232.00 feet to an iron.

Thence S. 73 - 54 W. 449.40 feet to an iron.

Thence N. 79 - 06 W. 366.00 feet to an iron in the east line of said  
James Vanhying's 30.00 acre tract.

Thence with the east line of said James Vanhying's 30.00 acre tract  
N. 12 - 16 E. 1143.50 feet to the place of beginning.

The above described tract contains 22.52 acres.

cc  
Logan County Engineer



2872  
ID-2  
INDEXED ON MAP  
on Plat Book  
6/11/02  
D.E.G.

Bibart Survey Jefferson Township April 1962 18.65 Acres  
( North of new location of Route 33 to center line present Route 33 )

The following described land in Jefferson Township, Logan County, Ohio,  
and being in V.M.S. 4413

Beginning at an iron in the east line of James Vanhynings's 26.30 acre tract  
at the north line of State Route Number 33 ( New location as shown on  
Logan County Engineer's Plan L - 40 page 342 )

Thence with the east side of said Van Hynings 26.30 acre tract N. 12 - 14 E.  
708.40 feet to the N.W. side of a twenty inch locust tree.

Thence S. 87 - 24 E. 211.60 feet to a wood post.

Thence N. 4 - 01 W. 57.60 feet to the center of State Route Number 33.

Thence with the center line of State Route Number 33 the following three  
courses and distances :

S. 77 - 19 E. 123.00 feet.

S. 83 - 09 E. 139.50 feet.

S. 88 - 39 E. 537.60 feet to a small iron in the center of County Road  
Number 28.

Thence with the center line of said County Road Number 28 S. 13 - 08 W.  
872.00 feet to a small iron.

Thence with the north right of way line of State Route Number 33 ( New  
location ) the following four courses and distances :

N. 76 - 52 W. 50.00 feet to a concrete right of way marker.

S. 56 - 42 W. 104.50 feet to a concrete right of way marker.

~~S.~~<sup>N.</sup> 76 - 38 W. 378.40 feet to a concrete right of way marker.

N. 74 - 42 W. 468.80 feet to the place of beginning. The last described line  
passing a concrete right of way marker at 430.80 feet.

The above described tract contains 18.65 acres.

cc  
Logan County Engineer.



INDEXED ON MAP

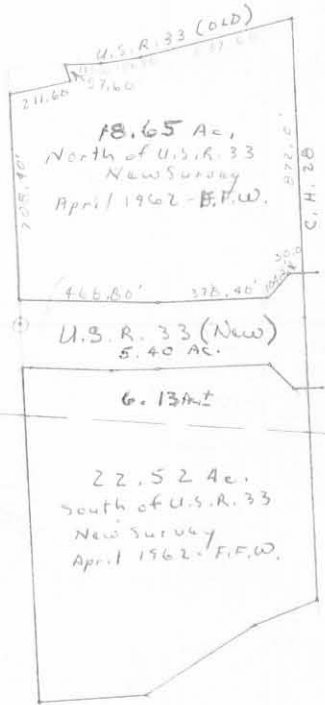
2872 1D-3

ON PLAT  
D 28  
11/102

George H. Bibart et ux  
 V.M.S. 4413 - 30.18 Ac.  
 New Survey - 18.65  
 11.53  
 New U.S.R. 33 - 5.40  
 6.13

2872  
 1P

18.65  
 6.13  
 24.78



22.52  
 6.13  
 16.39

24.89  
 16.39  
 8.50 Remainder of  
 Bibart tract.

George H.  
 Bibart Survey  
 V.M.S. 4413. & { 4195 }  
 { 4604 }  
 April 1962 - F.F.W.

7-6-13

# Lee Surveying and Mapping Co., Inc.



Land Surveys • Topography • Subdivisions • Construction Layout

117 N. Madriver St.  
Bellefontaine OH 43311



Phone: (937) 593-7335  
Fax: (937) 593-7444  
surveys@lsminc.us

## BLACK 10.237 ACRES

Lying in Virginia Military Survey 4413, Jefferson Township, Logan County, Ohio.

Being all of the Curtis A. Black, Jr. and Joyce A. Black 10.201 acre tract as deeded and described in Official Record 426, Page 406, Tract IV, Parcel II of the Logan County Records of Deeds and being more particularly described as follows:

Beginning on a 1 inch iron rod found in a monument box on the intersection of the center-line of County Highway 153 and the center-line of Ohio Route 292 at Station 60+79.20 per the Logan County right of way plans LOG-33-21.51, Sheet 9 of 24.

THENCE, with the center-line of County Highway 153 (60 feet wide), S 87°-33'-55"E, a distance of 1.83 feet to a point.

THENCE, within the right-of-way of County Highway 153, S 14°-26'-58"W, a distance of 30.67 feet to a MAG nail set on the south right-of-way of County Highway 153.

THENCE, with the south right-of-way of County Highway 153 and the north line of the State of Ohio Parcel No. 101B-WL, 0.829 acre tract (O.R. 254, Pg. 95), N 87°-33'-55"W, a distance of 62.89 feet to a 5/8 inch iron rod set.

THENCE, with the west lines of the said 0.829 acre tract, the following two courses:

S 19°-37'-43"W, a distance of 240.66 feet to a 5/8 inch iron rod found.

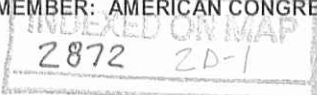
S 18°-10'-55"W, a distance of 209.07 feet to a 3/4 inch iron rod found.

THENCE, with the north lines of the Thomas L. Wiley 2.455 acre tract (O.R. 403, Pg. 898), the following three courses:

N 80°-22'-06"W, a distance of 236.67 feet to a 5/8 inch iron rod found.

S 47°-19'-28"W, a distance of 87.54 feet to a 5/8 inch iron rod found.

N 88°-44'-10"W, a distance of 607.15 feet to a 5/8 inch iron rod found.



# Lee Surveying and Mapping Co., Inc.

Land Surveys • Topography • Subdivisions • Construction Layout

117 N. Madriver St.  
Bellefontaine OH 43311



Phone: (937) 593-7335  
Fax: (937) 593-7444  
surveys@lsminc.us

THENCE, with the lines of the Thomas L. Wiley 13.344 acre tract (O.R. 403, Pg. 894), the following three courses:

N 13°-17'-38"E, a distance of 503.40 feet to a 5/8 inch iron rod set on the northwest side of a 20 inch locust tree found.

S 86°-38'-28"E, a distance of 212.60 feet to a 5/8 inch iron rod set.

N 03°-15'-28"W, a distance of 54.68 feet to a MAG nail set on the center-line of County Highway 153, passing a 5/8 inch iron rod set at 23.32 feet.

THENCE, with the center-line of County Highway 153, the following two courses:

S 76°-17'-55"E, a distance of 201.97 feet to a MAG nail set.

S 87°-33'-55"E, a distance of 598.87 feet to the point of beginning.

Containing 10.237 acres, of which 0.550 acre is within the highway right-of-way.

Property is subject to any and all previous easements and rights-of-way of record.

The basis for bearings is the center-line of Ohio Route 292, being N 13°-41'-41"E, and all other bearings are from angles and distances measured in a field survey by Lee Surveying and Mapping Co., Inc. on June 29, 2013.



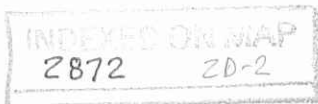
ORIGINAL STAMP IN GREEN

Description prepared by:

A handwritten signature in cursive script that reads 'William K. Bruce'.

William K. Bruce  
Professional Surveyor 7437  
July 1, 2013

55580613



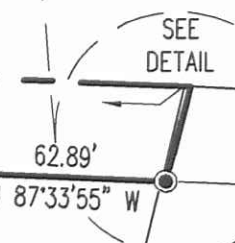
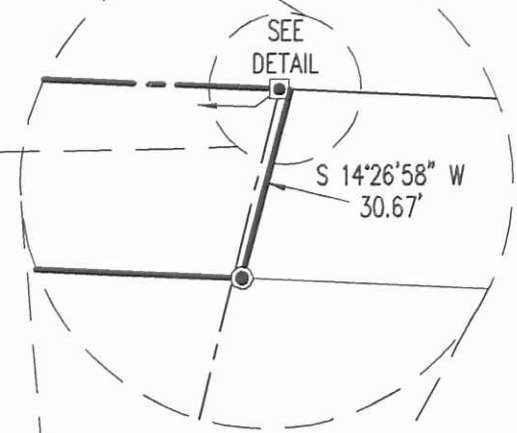
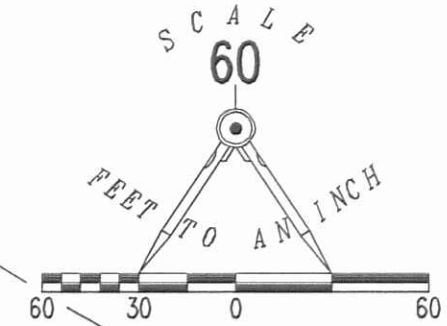
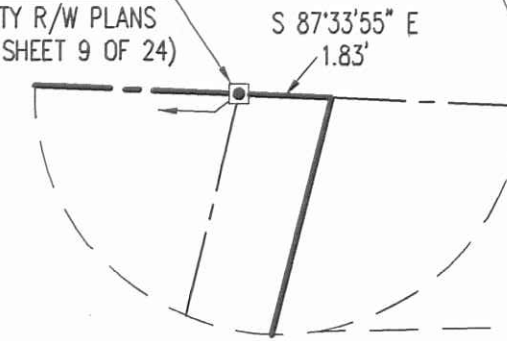
7-8-13

**APPROVED**

LEGEND:

- 1 INCH IRON ROD FOUND IN MONUMENT BOX
- ⊕ 1 INCH IRON ROD FOUND
- MAG NAIL SET
- ⊙ 3/4 INCH IRON ROD FOUND
- 5/8 INCH IRON ROD FOUND
- 5/8 INCH IRON ROD SET WITH PLASTIC I.D. CAP STAMPED "LSM 7437"

P.O.B.  
STATION 60+79.20  
(LOGAN COUNTY R/W PLANS  
LOG-33-21.51, SHEET 9 OF 24)



NORTHWEST SIDE OF  
20' LOCUST TREE FOUND

S 86°38'28" E  
212.60'

N 03°19'28" W  
54.68'

S 76°17'55" E  
201.97'

COUNTY HIGHWAY 153 (60')

S 87°33'55" E  
598.87'

62.89'  
N 87°33'55" W

THOMAS L. WILEY  
13.344 ACRES  
O.R. 403, PG. 894

N 13°17'38" E  
503.40'

**10.237 ACRES**

OF WHICH 0.550 ACRE IS WITHIN  
THE HIGHWAY RIGHT-OF-WAY

CURTIS A. BLACK, JR. AND  
JOYCE A. BLACK  
10.201 ACRES  
O.R. 426, PG. 406  
TRACT IV, PARCEL II

STATE OF OHIO  
PARCEL NO. 101B-WL  
0.829 ACRE  
O.R. 254, PG. 95

292

209.07'  
S 18°10'55" W

240.66'  
S 19°37'43" W

(BASIS FOR BEARINGS)  
N 134°14'1" E

607.15'  
N 88°44'10" W

87.54'  
S 47°19'28" W

236.67'  
N 80°22'06" W

THOMAS L. WILEY  
2.455 ACRES  
O.R. 403, PG. 898

STATE OF OHIO  
PARCEL NO. 104-WL  
5.165 ACRES  
O.R. 230, PG. 878



RETRACEMENT SURVEY OF THE  
CURTIS A. BLACK, JR. AND  
JOYCE A. BLACK  
10.201 ACRE TRACT  
OFFICIAL RECORD 426, PAGE 406  
TRACT IV, PARCEL II  
VIRGINIA MILITARY SURVEY 4413  
JEFFERSON TOWNSHIP  
LOGAN COUNTY, OHIO

SURVEYED BY:

*William K. Bruce*  
WILLIAM K. BRUCE  
PROFESSIONAL SURVEYOR 7437  
JUNE 29, 2013

COPYRIGHT 2013 BY:  
LEE SURVEYING & MAPPING CO., INC.  
117 North Madriver Street  
BELLEFONTAINE, OHIO 43311  
(937) 593-7335  
WWW.LSMINC.US  
surveys@lsminc.us  
KSS D0613 55580613 L-5558-2

2 WORKING DAYS  
**BEFORE YOU DIG**  
CALL TOLL FREE 800-362-2764  
OHIO UTILITIES PROTECTION SERVICE

INDEXED ON MAP  
2872 2D