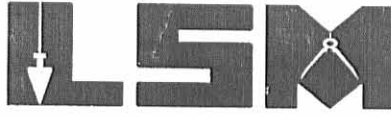


REC'D 11-17-03 SML/OK

Lee Surveying and Mapping Co., Inc.

Land Surveys • Topography • Subdivisions • Construction Layout

117 N. Madriver St.
Bellefontaine OH 43311



Phone: (937) 593-7335
Fax: (937) 593-7444

BALDOCK 0.210 ACRE

Lying in Virginia Military Survey 4477, Jefferson Township, Logan County, Ohio.

Being out of the David L. Baldock 40.00 acre tract as deeded and described in Official Record 274, Page 375, Exhibit A, of the Logan County Records of Deeds and being more particularly described as follows:

Beginning at a railroad spike found on the west line of Virginia Military Survey 4477 and the center-line of Township Road 179 (40 feet wide) at the southwest corner of the Chester V. Berry, Trustee, 59.745 acre tract (O.R. 212, Pg. 613, Tract I).

THENCE, with the lines of the said 59.745 acre tract, the following six (6) courses:

S 74°-03'-15" E, a distance of 176.95 feet to a 5/8 inch iron rod found;

N 23°-38'-10" E, a distance of 92.31 feet to a 5/8 inch iron rod found;

A curve to the left having a central angle of 5°-57'-50", a radius of 5732.30 feet, an arc length of 596.66 feet and a chord bearing S 69°-20'-45" E, a distance of 596.39 feet to a 5/8 inch iron rod found;

S 17°-40'-20" W, a distance of 25.00 feet to a 5/8 inch iron rod found;

A curve to the left having a central angle of 1°-36'-24", a radius of 5757.30 feet and arc length of 161.46 feet and a chord bearing S 73°-07'-50" E, a distance of 161.45 feet to a 5/8 inch iron rod found;

S 73°-56'-05" E, a distance of 840.65 feet to a 5/8 inch iron rod found at the TRUE POINT OF BEGINNING.

THENCE, with the lines of the said 59.745 acre tract, the following two (2) courses:

N 16°-03'-55" E, a distance of 25.00 feet to a 5/8 inch iron rod found;

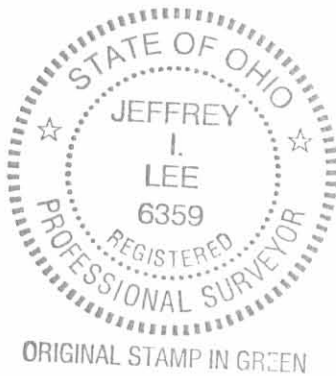
S 73°-56'-05" E, a distance of 731.00 feet to a 5/8 inch iron rod set.

THENCE, N 75°-53'-36" W, a distance of 731.43 feet to the point of beginning.

Containing 0.210 acre.

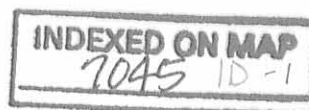
The basis for bearings is the south line of the said 59.745 acre tract at the point of beginning, being S 74°-03'-15" E, and all other bearings are from angles and distances measured in a field survey by Lee Surveying and Mapping Co., Inc. on June 6, 2003.

Description prepared by:



Jeffrey I. Lee
Jeffrey I. Lee
Professional Surveyor 6359
June 12, 2003

L-3592



REC'D 6-17-03 SMM/ML

Lee Surveying and Mapping Co., Inc.

Land Surveys • Topography • Subdivisions • Construction Layout

117 N. Madriver St.
Bellefontaine OH 43311



Phone: (937) 593-7335
Fax: (937) 593-7444

BALDOCK 0.943 ACRE

Lying in Virginia Military Survey 4477, Jefferson Township, Logan County, Ohio.

Being out of the David L. Baldock 40.00 acre tract as deeded and described in Official Record 274, Page 375, Exhibit A, of the Logan County Records of Deeds and being more particularly described as follows:

Beginning at a railroad spike found on the west line of Virginia Military Survey 4477 and the center-line of Township Road 179 (40 feet wide) at the southwest corner of the Chester V. Berry, Trustee, 59.745 acre tract (O.R. 212, Pg. 613, Tract I).

THENCE, with the south line of the said 59.745 acre tract, S 74°-03'-15" E, a distance of 176.95 feet to a 5/8 inch iron rod found at the TRUE POINT OF BEGINNING.

THENCE, with the lines of the said 59.745 acre tract, the following five (5) courses:

N 23°-38'-10" E, a distance of 92.31 feet to a 5/8 inch iron rod found;

A curve to the left having a central angle of 5°-57'-50", a radius of 5732.30 feet, an arc length of 596.66 feet and a chord bearing S 69°-20'-45" E, a distance of 596.39 feet to a 5/8 inch iron rod found;

S 17°-40'-20" W, a distance of 25.00 feet to a 5/8 inch iron rod found;

A curve to the left having a central angle of 1°-36'-24", a radius of 5757.30 feet and arc length of 161.46 feet and a chord bearing S 73°-07'-50" E, a distance of 161.45 feet to a 5/8 inch iron rod found;

S 73°-56'-05" E, a distance of 840.65 feet to a 5/8 inch iron rod found.

THENCE, N 74°-31'-26" W, a distance of 1608.11 feet to the point of beginning.

Containing 0.943 acre.

The basis for bearings is the south line of the said 59.745 acre tract at the point of beginning, being S 74°-03'-15" E, and all other bearings are from angles and distances measured in a field survey by Lee Surveying and Mapping Co., Inc. on June 6, 2003.

Description prepared by:



ORIGINAL STAMP IN GREEN

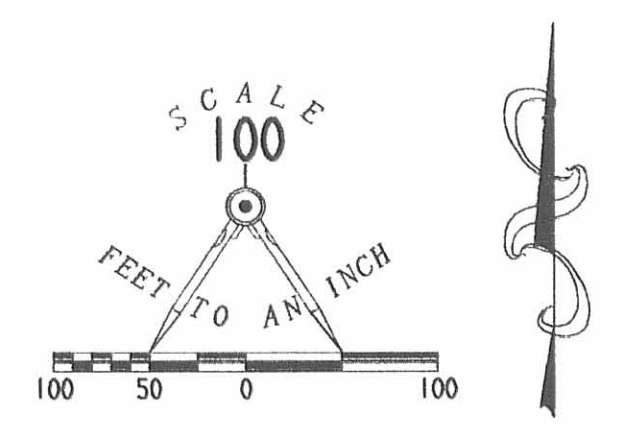
Jeffrey I. Lee
Jeffrey I. Lee
Professional Surveyor 6359
June 12, 2003

L-3592



REC'D 6-17-03 SMJ/BLK

HILLWOOD ALLOTMENT
PLAT CABINET A, SLIDE 333
LOT 10
LOT 11



- LEGEND
- 5/8 INCH IRON ROD SET
 - 5/8 INCH IRON ROD FOUND
 - ⊗ RAILROAD SPIKE FOUND
 - WOOD CORNER POST FOUND

TOWNSHIP ROAD 179 (40')
VIRGINIA MILITARY SURVEY 5864
VIRGINIA MILITARY SURVEY 4477

VIRGINIA MILITARY SURVEY 3220
VIRGINIA MILITARY SURVEY 4477

CHESTER V. BERRY AND
MARGARET A. BERRY, TRUSTEES
59.745 ACRE
O.R. 212, PG. 613
TRACT I

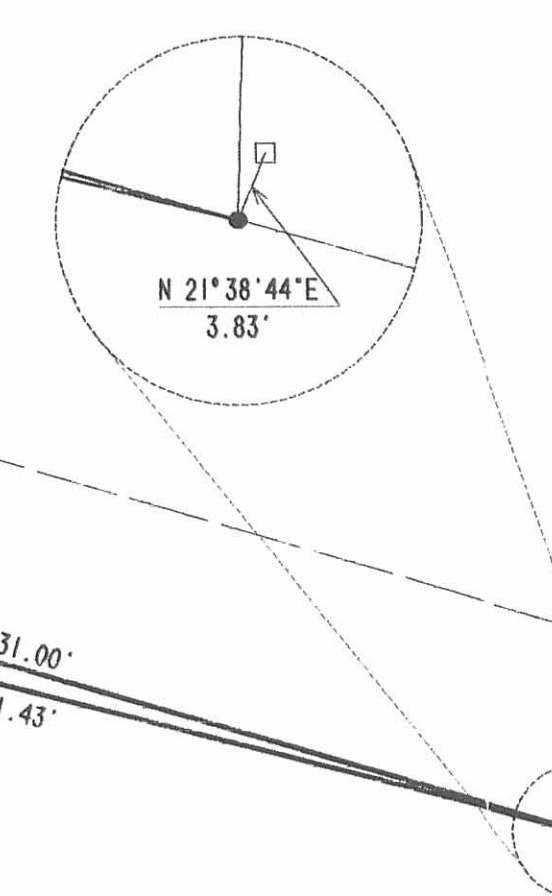
0.943 ACRE

FORMER T & O.C. RAILROAD

DAVID L. BALDOCK
40.00 ACRES
O.R. 274, PG. 375
EXHIBIT A

0.210 ACRE

| CURVE | DELTA ANGLE | RADIUS | ARC | TANGENT | CHORD | CHORD BEARING |
|-------|-------------|----------|---------|---------|---------|-----------------|
| C 1 | 5° 57' 50" | 5732.30' | 596.66' | 298.60' | 596.39' | S 69° 20' 45" E |
| C 2 | 1° 36' 24" | 5757.30' | 161.46' | 80.73' | 161.45' | S 73° 07' 50" E |



SURVEY OF TWO TRACTS OUT OF
DAVID L. BALDOCK
40.00 ACRE TRACT
OFFICIAL RECORD 274, PAGE 375, EXHIBIT A
VIRGINIA MILITARY SURVEY 4477
JEFFERSON TOWNSHIP
LOGAN COUNTY, OHIO



SURVEYED BY:
Jeffrey L. Lee
JEFFREY L. LEE
PROFESSIONAL SURVEYOR 6359
JUNE 9, 2003

COPYRIGHT 2003 BY:
LEE SURVEYING & MAPPING CO., INC.
117 North Madison Street
BELLEFONTAINE, OHIO 43111
(937) 593-7335

2 WORKING DAYS
BEFORE YOU DIG
CALL TOLL FREE 800-362-2764
OHIO UTILITIES PROTECTION SERVICE

INDEXED ON MAP
7045 1P

D 407 CVBERRY L-3592-1

DESCRIPTION OF A
0.479 ACRE TRACT
FOR DONALD ROPP

The following described tract of land is situated in the State of Ohio, County of Logan, Township of Jefferson, V.M.S. # 4477, and being a part of Donald W. Ropp's 176.45 acre tract of record in deed volume 394, page 922 of the Recorder's records, Logan County, Ohio and being more particularly described as follows:

Beginning at an iron pipe found in the centerline of Township Rd. # 179 (T.R. # 179) referenced in Logan County Engineer's survey field book 607, page 45, said iron pipe marking an angle point in said centerline and being 125.00 feet from the intersection of the centerlines of T.R. # 179 and County Rd. # 29;

Thence North $4^{\circ}46'$ East 1648.82 feet, in the centerline of T.R. # 179, to a spike set marking the place of beginning of the 0.479 acre tract herein described;

Thence continuing North $4^{\circ}46'$ East 126.89 feet, in said centerline, to a spike set in the southerly right of way line of the abandoned T & O.C. Railroad;

Thence following a curve to the left in said Railroad right of way line, 216.45 feet, the chord of which bears South $65^{\circ}16'55''$ East 216.43 feet, said curve having a radius of 5732.3 feet, to an iron pin set;

Thence South $23^{\circ}38'10''$ West 92.31 feet, to an iron pin set;

Thence North $74^{\circ}03'15''$ West 176.95 feet, to the place of beginning, containing 0.479 acres, more or less, and being as shown on the drawing attached hereto and made a part hereof.

The above description was prepared from a field survey in April of 1984 by Gary L. Elswick, Registered Surveyor # 6395. Bearings are based on the centerline of T.R. # 179 being North $4^{\circ}46'00''$ East. Iron pins set are $30'' \times 5/8$ reinforcing rods with I.D. caps.

7045 2D

INDEXED ON MAP



CHESTER V. BERRY
63.79 Ac.

ABANDONED T. & O. C. R.R.

CH. = S. 65°16'55"E. - 216.43'
Arc = 216.45' R = 5732.3'

0.479 Ac.

S. 23°38'10"W. - 92.31'

N. 74°03'15"W. - 176.95'

PLACE OF BEGINNING

DONALD W. ROPP
ORIG. 176.45 Ac.
D.B. 394, P. 922

1" = 50'
○ = I.P. SET
⊙ = SPIKE SET

TWP. RD. 179

N. 4°46'00"E
126.89'

1648.82'

I PIPE FOUND - REFERENCE BEGINNING

125.0'

CO. RD. 29

704.5 2P

INDEXED ON MAP

SURVEY FOR DON ROPP
STATE OF OHIO
COUNTY OF LOGAN
TOWNSHIP OF JEFFERSON
V.M.S. 4477

Gary L. Elswick
REGISTERED SURVEYOR #6395



Received 12-16-85

OK-12-19-85 C.R

Lee Surveying and Mapping Co.



Farm Surveys • Lot Surveys • Topography • Subdivisions • Construction Layout

855 EAST SANDUSKY AVENUE
BELLEFONTAINE, OHIO 43311

(513) 593-5780

CLAYTON M. LEE, P.S.
JEFFREY I. LEE, P.S.

DON ROPP 60.472 ACRES

Lying in V.M.S. 4477, Jefferson Township, Logan County, Ohio.

Being the southwest part of that original 176.45 acre tract lying in the name of Ropp as deeded and described in Volume 394, Page 922 of the Logan County Records of Deeds. Being more particularly described as follows:

Beginning at a railroad spike found on the center-line of County Road 29, marking the southwest corner of said original 176.45 acres and being on the center-line, extended, of Township Road 179 at County Road 29, Station 38+87. (County engineer F.B. 602, Page 26).

THENCE, with the said center-line of Township Road 179, and said center-line extended southerly, N 5°44'-50" E, a distance of 1164.99 feet to a railroad spike found at the southwest corner of a 40 acre tract (Land Contract Volume 348, Page 341).

THENCE, with the south line of said 40 acre tract, the following 3 bearings and distances:

S 75°-11'-20" E, 1780.88 feet to a 5/8" iron rod.

S 13°-15'-25" W, 40.67 feet to a 5/8" iron rod.

S 71°-25'-30" E, 415.55 feet to a 5/8" iron rod found at the northwest corner of a 55 acre tract (L.C. Volume 354, Page 478).

THENCE, with the west line of said 55 acre tract, S 29°-04' W, a distance of 1572.84 feet to a railroad spike on the center-line of County Road 29.

THENCE, with said road center-line, N 59°-59' W, a distance of 1684.78 feet to the point of beginning.

Containing 60.472 acres.

Prepared by:

Clayton M. Lee
Professional Surveyor No. 6181
December 13, 1985

This description prepared from an actual field survey.

INDEXED ON MAP
7045 3D



L-1102
ORIGINAL STAMP IN GREEN

LAND INSTALLMENT (VOL. 348, PG. 341)
 JERSEY VALLEY FARM
 40.0 ACRES

S 13°-15'-25" W
 40.67'
 S 71°-25'-30" E
 415.55'

S 75°-11'-20" E
 1780.88'

LAND INSTALLMENT (VOL. 354, PG. 478)
 55.00 AC.
 BALDOCK & KANANEEN

60.472 ACRES

S 29°-04' W
 1572.84'

BASIS OF BEARING
 = C.R. 29 (N 59°-59' W)
 SEE CO. ENGR. F.B. 602

SCALE ~ 1" = 300'

INDEXED ON MAP
 7045 BP

TWP. RD. 179
 1164.99'
 1164.99' (E.O.S.)
 44'-5"
 44'-5"
 MARY EARLY
 2.00 AC.
 VOL. 353/761
 PARC. 1, TRACT V

FOUND
 1" PIPE
 BEGINNING PT.

N 59°-59' W
 BASIS FOR BEARING

1684.78'

CO. RD. 29

FOUND
 RR SPIKE
 1.3' S. OF C
 38+27

38+87
 F.B. 602
 P. 26

○ = RR SPIKE
 ● = 5/8" IRON ROD

SURVEY OF REMAINING 60.472 ACRES OF THE ROPP ORIGINAL
 176.45 ACRES (VOL. 394, PG. 922)
 V.M.S. 4477, JEFFERSON TWP.
 LOGAN COUNTY, OHIO

By: *[Signature]*



JEFFREY I. LEE
 REG. PROF. SURVEYOR 6359
 DEC. 12, 1985
 ORIGINAL STAMP IN GREEN

L-1102-4