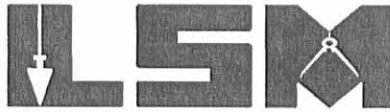


Lee Surveying and Mapping Co., Inc.

Land Surveys • Topography • Subdivisions • Construction Layout

117 N. Madriver St.
Bellefontaine OH 43311



Phone: (937) 593-7335
Fax: (937) 593-7444

WHITAKER 55.797 ACRES

Lying in Virginia Military Survey 3220, Jefferson Township, Logan County, Ohio.

Being all of the Darren L. Whitaker and Johni L. Whitaker original 17.20 acre tract, 10.46 acre tract and 28.646 acre tract as deeded and described in Official Record 544, Page 808, Tract I, Tract II and Tract III of the Logan County Records of Deeds and being more particularly described as follows:

Beginning at a 1 inch iron bar found at the intersections of the center-lines of Township Road 181 and Township Road 179 on Township Road 179 center-line station 45+32 per the Logan County Engineer Field Book 607, Page 49.

THENCE, with the center-line of Township Road 179 (40 feet wide), N 5°-19'-35" E, a distance of 196.34 feet to a point.

THENCE, S 84°-43'-32" E, a distance of 14.90 feet to a 5/8 inch iron rod set on the west line of Virginia Military Survey 3220 at the TRUE POINT OF BEGINNING.

THENCE, with west line of Virginia Military Survey 3220, N 5°18'-50" E, a distance of 254.07 feet to a 5/8 inch iron rod set.

THENCE, with the south line of the Jerry L. Foster 1.00 acre (Vol. 401, Pg. 753), S 87°-13'-55" E, a distance of 279.90 feet to a 5/8 inch iron rod found, passing a 5/8 inch iron rod found at 5.00 feet.

THENCE, with the east line of the said 1.00 acre tract, N 5°-35'-51" E, a distance of 154.14 feet to a 5/8 inch iron rod found.

THENCE, with the east line of the Joseph J. Grant 3.443 acre tract (O.R. 27, Pg. 316), N 7°-48'-36" E, a distance of 519.61 feet to a 5/8 inch iron rod found.

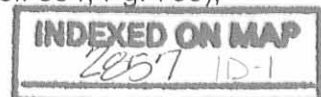
THENCE, with the south line of the Stephen W. Pennington 20.001 acre tract (O.R. 545, Pg. 746), S 85°-12'-46" E, a distance of 1201.13 feet to a 5/8 inch iron rod set.

THENCE, with the west line of the Betty R. Butler, Trustee original 62.0 acre tract (O.R. 468, Pg. 840, Tract I), S 5°-45'-55" W, a distance of 397.22 feet to a 5/8 inch iron rod set.

THENCE, with the south line of the said 62.0 acre tract, S 83°-36'-48" E, a distance of 926.41 feet to a 5/8 inch iron rod found.

THENCE, with the west line of the Gary L. Blacklidge 67.18 acre tract (O.R. 174, Pg. 840, Tract I), S 5°-28'-39" W, a distance of 1297.69 feet to a 5/8 inch iron rod set.

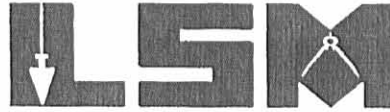
THENCE, with the north line of the George W. Nease 67.18 acre tract (Vol. 354, Pg. 733), N 84°-30'-40" W, a distance of 929.14 feet to a 5/8 inch iron rod found.



Lee Surveying and Mapping Co., Inc.

Land Surveys • Topography • Subdivisions • Construction Layout

117 N. Madriver St.
Bellefontaine OH 43311



Phone: (937) 593-7335
Fax: (937) 593-7444

THENCE, with the east line of the Larry A. Thornburg 26.37 acre tract (O.R. 284, Pg. 792, Tract I), N 5°-36'-07" E, a distance of 759.63 feet to a 5/8 inch iron rod set.

THENCE, with the north line of the said 26.37 acre tract, N 84°-43'-32" W, a distance of 1498.19 feet to the point of beginning, passing a 5/8 inch iron rod found at 1493.09 feet.

Containing 55.797 acres, of which 0.030 acre is within the highway right-of-way.

The basis for bearings is the west line of Virginia Military Survey 3220, being N 5°-18'-50" E, and all other bearings are from angles and distances measured in a field survey by Lee Surveying and Mapping Co., Inc. on January 11, 2002.

Description prepared by:

A handwritten signature in black ink, appearing to read 'J. Lee', is written over the typed name.

Jeffrey I. Lee
Professional Surveyor 6359
January 15, 2002

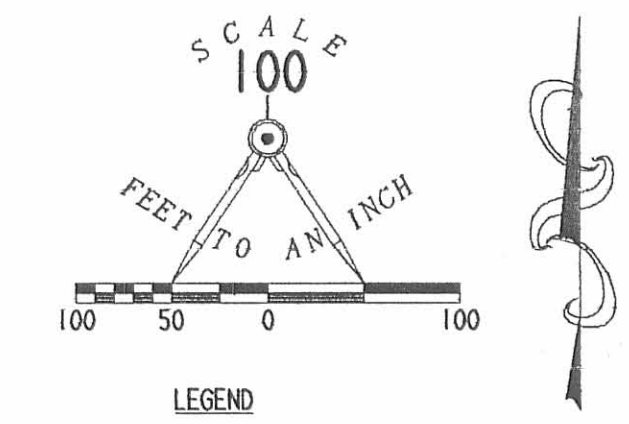


ORIGINAL STAMP IN GREEN

L-1464



REID 1-17-02 SMY dk



- LEGEND
- 5/8 INCH IRON ROD SET
 - 5/8 INCH IRON ROD FOUND
 - 1 INCH IRON BAR FOUND
 - ⊙ MAG NAIL SET
 - ⊞ STONE WITH CHISELED "X" FOUND

STEPHEN W. PENNINGTON
20.001 ACRES
O.R. 545, PG. 746

JOSEPH J. GRANT AND
DEBORAH E. GRANT
3.443 ACRES
O.F. 27, PG. 316

BETTY R. BUTLER, TRUSTEE
UNDER THE BETTY R. BUTLER DECLARATION
OF TRUST DATED AUGUST 21, 2000
ORIG. 62.0 ACRE TRACT
OFFICIAL RECORD 468, PG. 840
TRACT I

DARREN L. WHITAKER AND
JOHNI L. WHITAKER
ORIG. 28.646 ACRES
O.R. 544, PG. 808
TRACT III

JERRY L. FOSTER AND
PATRICIA FOSTER
1.00 ACRES
VOL. 401, PG. 753

55.797 ACRES
OF WHICH 0.030 ACRE IS WITHIN THE
HIGHWAY RIGHT-OF-WAY

17.20 ACRES TRACT
O.R. 544, PG. 808
TRACT I

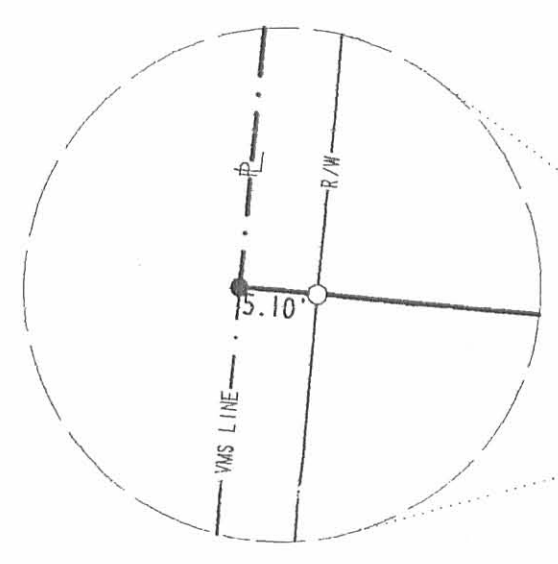
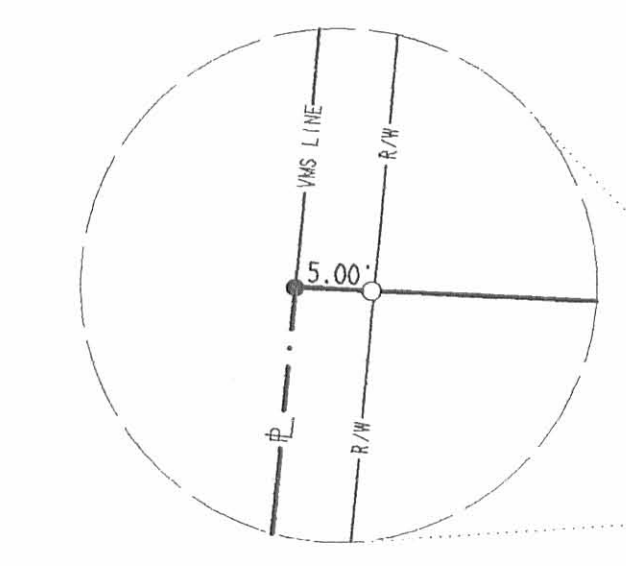
LARRY A. THORNBURG AND
KATHY J. THORNBURG
26.37 ACRE TRACT
O.R. 284, PG. 792
TRACT I

GARY L. BLACKLIDGE,
BRUCE L. BLACKLIDGE AND
MELODIE BLACKLIDGE DUNN
65.362 ACRES
O.R. 174, PG. 840
TRACT I

10.46 ACRES TRACT
O.R. 544, PG. 808
TRACT II

GEORGE W. NEASE
67.18 ACRES
VOL. 354, PG. 733

RETRACEMENT SURVEY OF ALL OF THE REMAINDER
OF THE DARREN L. WHITAKER AND JOHNI L. WHITAKER
ORIGINAL 17.20 ACRE, 10.46 ACRE AND 28.646 ACRES TRACTS
OFFICIAL RECORD 544, PAGE 808
TRACT I, TRACT II AND TRACT III
VIRGINIA MILITARY SURVEY 3220
JEFFERSON TOWNSHIP
LOGAN COUNTY, OHIO



TOWNSHIP
ROAD 181
STA. 45+32
CO. ENG. F.B. 607, PG. 49

T.R. 179



SURVEYED BY:
JEFFREY I. LEE
PROFESSIONAL SURVEYOR 6359
JANUARY 15, 2002
COPYRIGHT 2002 BY:
LEE SURVEYING & MAPPING CO., INC.
117 North Medway Street
BELLEFONTAINE, OHIO 43311
(937) 593-7335
D 406 THRNBRG L-1464-2

2 WORKING DAYS
BEFORE YOU DIG
CALL TOLL FREE 800-362-2764
OHIO UTILITIES PROTECTION SERVICE

INDEXED ON MAP
2007 LP

REC'D 12-12-01 SMY OK

Lee Surveying and Mapping Co., Inc.

Land Surveys • Topography • Subdivisions • Construction Layout

117 N. Madriver St.
Bellefontaine OH 43311



Phone: (937) 593-7335
Fax: (937) 593-7444

PENNINGTON 20.001 ACRES

Lying in Virginia Military Survey 3220, Jefferson Township, Logan County, Ohio.

Being out of the David E. Pennington and Rebecca E. Pennington original 52.09 acre tract as deeded and described in Volume 360, Page 457 of the Logan County Records of Deeds and being more particularly described as follows:

Beginning at a 1 inch iron bar found at the intersections of the center-lines of Township Road 181 and Township Road 179 on Township Road 179 center-line station 45+32 per the Logan County Engineer Field Book 607, Page 49.

THENCE, with the center-line of Township Road 179 (40 feet wide), N 5°-19'-35" E, a distance of 1127.73 feet to a MAG nail set.

THENCE, S 86°-11'-40" E, a distance of 14.70 feet to a point on the west line of Virginia Military Survey 3220 at the TRUE POINT OF BEGINNING, passing a 5/8 inch iron rod found at 14.43 feet.

THENCE, with the west line of Virginia Military Survey 3220, N 5°-18'-50" E, a distance of 572.61 feet to a stone with a chiseled "X" found.

THENCE, with the south lines of the Elden A. Shell 6.356 acre tract and 5.000 acre tract (O.R. 296, Pg. 611, Parcel I and Parcel II), and the Mary Jane Guiles 15.184 acre tract (O.R. 359, Pg. 822, Tract I), S 85°-55'-44" E, a distance of 1506.27 feet to a 5/8 inch iron rod set, passing a 5/8 inch iron rod set at 5.43 feet.

THENCE, with the west line of the Betty R. Butler, Trustee, original 62.0 acre tract (O.R. 468, Pg. 840, Tract I), S 5°-36'-07" W, a distance of 590.73 feet to a 5/8 inch iron rod set.

THENCE, N 85°-00'-00" W, a distance of 1199.94 feet to a 5/8 inch iron rod found.

THENCE, with the north line of the Joseph J. Grant 3.443 acre tract (O.R. 27, Pg. 316), N 86°-11'-40" W, a distance of 303.12 feet to the point of beginning, passing a 5/8 inch iron rod set at 297.82 feet.

Containing 20.001 acres, of which 0.070 acre is within the highway right-of-way.

The basis for bearings is the west line of Virginia Military Survey 3220, being N 5°-18'-50" E, and all other bearings are from angles and distances measured in a field survey by Lee Surveying and Mapping Co., Inc. on December 4, 2001.

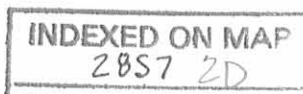


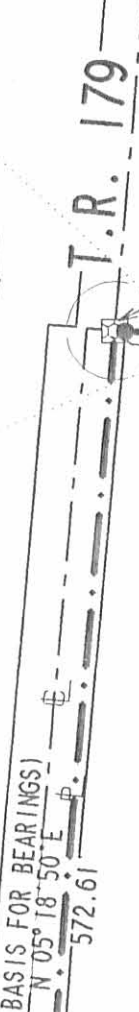
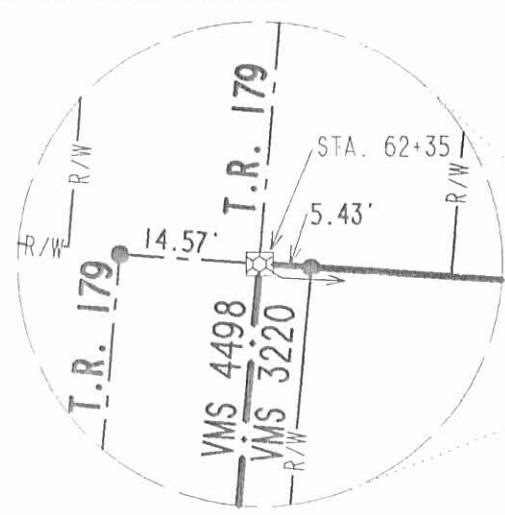
ORIGINAL STAMP IN GREEN

Description prepared by:

Jeffrey I. Lee
Professional Surveyor 6359
December 9, 2001

L-1464





STA. 62+35
CO. ENG. F.B. 607, PG. 50

ELDEN A. SHELL
6.356 ACRES
O.R. 296, PG. 611
PARCEL 1

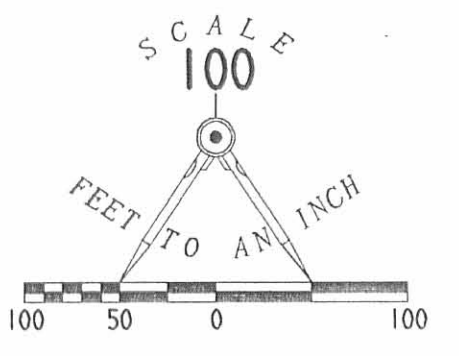
ELDEN A. SHELL
5.000 ACRES
O.R. 296, PG. 611
PARCEL 11

MARY JANE GUILLES
AND BRENT GUILLES
15.184 ACRES
O.R. 359, PG. 822
TRACT 1

20.001 ACRES
OF WHICH 0.070 ACRE IS WITHIN
THE HIGHWAY RIGHT-OF-WAY

JOSEPH J. GRANT AND
DEBORAH E. GRANT
3.443 ACRES
O.R. 27, PG. 316

DAVID E. PENNINGTON AND
REBECCA E. PENNINGTON
ORIG. 52.09 ACRES
VOL. 360, PG. 457



LEGEND

- 5/8 INCH IRON ROD SET
- 5/8 INCH IRON ROD FOUND
- 1 INCH IRON BAR FOUND
- MAG NAIL SET
- ⊠ STONE WITH CHISELED "X" FOUND

BETTY R. BUTLER, TRUSTEE
UNDER THE BETTY R. BUTLER DECLARATION
OF TRUST DATED AUGUST 21, 2000
ORIG. 62.0 ACRE TRACT
OFFICIAL RECORD 468, PG. 840
TRACT 1

SURVEY OF 20.001 ACRES OUT OF
THE DAVID E. PENNINGTON AND
REBECCA E. PENNINGTON
ORIGINAL 52.09 ACRES
VOLUME 360, PAGE 457
VIRGINIA MILITARY SURVEY 3220
JEFFERSON TOWNSHIP
LOGAN COUNTY, OHIO



SURVEYED BY:
Jeffrey L. Lee
JEFFREY L. LEE
PROFESSIONAL SURVEYOR 6359
DECEMBER 4, 2001

COPYRIGHT 2001 BY:
LEE SURVEYING & MAPPING CO., INC.
117 North Madriver Street
BELLEFONTAINE, OHIO 43311
(937) 593-7335
D 406 THNRBG2 L-1464-2

2 WORKING DAYS
BEFORE YOU DIG
CALL TOLL FREE 800-362-2764
OHIO UTILITIES PROTECTION SERVICE.

INDEXED ON MAP
2857 2D

Lee Surveying and Mapping Co.



Farm Surveys • Lot Surveys • Topography • Subdivisions • Construction Layout

855 EAST SANDUSKY AVENUE
BELLEFONTAINE, OHIO 43311



(513) 593-5780

CLAYTON M. LEE, P.S.
JEFFREY I. LEE, P.S.

PENNINGTON SURVEY

Lying in V.M.S. 3220, Jefferson Township, Logan County, Ohio.

Being out of the Pennington 52.09 acre tract as deeded and described in Volume 360, Page 458, (Part 3) of the Logan County Records of Deeds and more particularly described as follows:

Beginning at a 5/8" iron rod set on the west line of V.M.S. 3220, a distance of 572.58 feet southerly, along said V.M.S. line from a corner stone found marking the northwest corner of said 52.09 acres. Said V.M.S. line being easterly a distance of 15 feet from the center-line of Township Road 179.

THENCE, N 81°-26'-30" E, a distance of 303.42 feet to a 5/8" iron rod.(Set).

THENCE, S 3°-23'-40" E, a distance of 520.79 feet to a 5/8" iron rod set on the north line of the Foster 1 acre tract (Volume 401, Page 753).

THENCE, with said north line of said 1 acre tract, S 79°-34'-40" W, a distance of 270.74 feet to a 5/8" iron rod set on the west line of V.M.S. 3220, being 15 feet, more or less, from the center-line of Township Road 179.

THENCE, with said V.M.S. line, N 7°-02' W, a distance of 527.67 feet to the point of beginning.

Containing 3.443 acres.



Prepared by:

Clayton M. Lee

Clayton M. Lee
Registered Professional Surveyor No. 6181
August 29, 1986

ORIGINAL STAMP IN GREEN

This description prepared from an actual field survey.

INDEXED ON MAP
2857 3D

MAXSON, C. 356 & C.

SET
NAIL

FOUND
CORNER STONE
STA. 62+32
CO. ENG'R. T.B. 607, PG. 50

SURVEY OF 3.443 AC. OUT OF THE
PENNINGTON 52.09 ACRES
V.M.S. 3220, JEFFERSON TWP.
LOGAN COUNTY, OHIO



By: *Jeffrey I. Lee*
JEFFREY I. LEE
REG. SURVEYOR 6359
AUG 29, 1986



572.58'
V.M.S. 4428
V.M.S. 3220
V.M.S. 4428
V.M.S. 3220
PROF. LINE

BEGINNING POINT

N 81°-26'-30" E
303.42

3.443 AC.

S 3°-23'-40" E
520.79'

S 79°-34'-40" W
270.74'

N 0°-0'-0" E
DAVID E. & REBECCA E. PENNINGTON
52.09 ACRES (VOL. 360, PG. 458, PART. 3)
48.643 AC. REMAINING

BASIS FOR BRN'G & TWP. RD. 179
N 7°-02' W
527.67'

SCALE ~
1" = 100

● = 5/8" IRON ROD SET

0.67'
SET 'PX'
FOUND RR SPIKE

J. FOSTER 1 AC.
VOL. 401, PG. 753

FOUND COR. STONE
@ 47+29

INDEXED ON MAP
2857 3P

WILSON SURVEY

V.M.S. 3220

JEFFERSON TOWNSHIP

JUNE 2, 1956

The following described real estate situated in Jefferson Township, Logan County, Ohio and being part of Virginia Military Survey 3220 and more particularly described as follows:

Commencing at an iron pin at the intersection of center lines of County Highway No. 179 and County Highway No. 181 as shown on page 49 of the Logan County Engineers' field book No. 607; thence with the center line of C.H. 179 N. 2°-25' E. 449.8 feet to an iron pin, passing the northwest corner of Elmer M. Zooks' 26.37 acre tract at 197.0 feet, said iron pin being the beginning point of this description; thence continuing with said center line N. 2°-25' E. 150.0 feet to an iron pin; thence N. 89°-03' E. 291.0 feet to an iron pin, passing an iron pin at 20.03 feet; thence S. 2°-25' W. 150.0 feet to an iron pin; thence S. 89°-03' W. 291.0 feet to the place of beginning, passing an iron pin at 270.97 feet.

Containing 1.00 acre more or less.

on Plat

*449.8
197.
252.8*

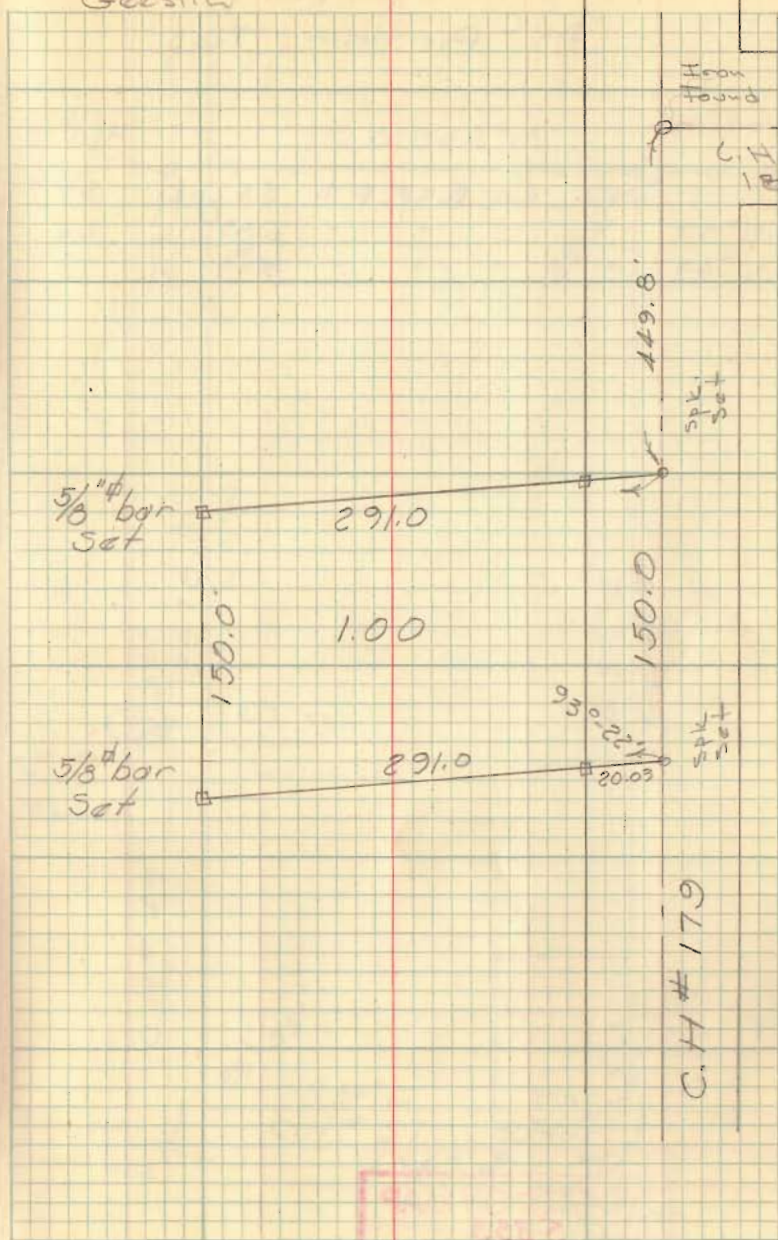
2857 4D

INDEXED ON MAP

Wilson Survey
V.M.S. 3220
Jefferson Twp.

Dodson
Geeslin

January 2, 1956 **40**



INDEXED ON MAP
2857

Wilson Survey
Jefferson Twp

U.M.S. 3220



$$x = \sin 32.2^\circ \times 20.0$$

$$\begin{array}{r} 1.00173 \\ \quad 20 \\ \hline 2003460 \end{array}$$

$$x = \cos 32.2^\circ \times 291.0$$

$$\begin{array}{r} .99827 \\ \quad 291 \\ \hline 99827 \\ 298443 \\ \hline 199654 \\ \hline 29019657 \end{array}$$

$$\begin{array}{r} 290.5 \quad 149.948 \\ \hline 43560.000 \end{array}$$

$$\begin{array}{r} 2905 \\ \hline 14510 \\ \hline 11620 \end{array}$$

$$\begin{array}{r} 28900 \\ \hline 26145 \end{array}$$

$$27550$$

$$26145$$

$$14050$$

$$11620$$

$$\hline 24300$$

Dodson
Geeslin

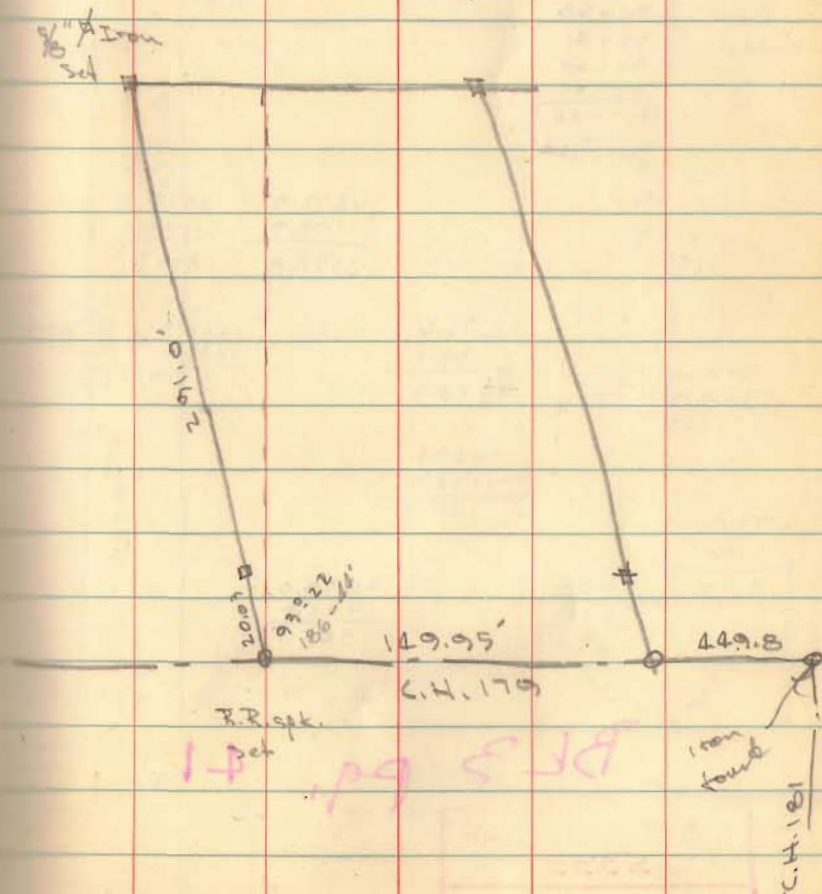
June 2, 1956 18

$$290.5 x = 43560$$

$$x = \frac{43560}{290.5}$$

$$\begin{array}{r} 290 \\ 150 \\ \hline 14500 \\ 290 \\ \hline 13500 \end{array}$$

BL 3 pg 10



BL 3 pg 10

INDEXED ON MAP
2857