

Slenker-Hertenstein Survey Jefferson Township August 1959 97.61 Acres

The following described land in Jefferson Township, Logan County, Ohio and bein in V.M.S. 3326

Beginning at an iron in the center of State Route Number 533 formerly County Road Number 5 known as the West Liberty-Zanesfield and Rushsylvania Pike and in the center of County Road Number 127

Thence with the center of State Route 533 N. 4 - 40 W. 420 feet to an iron mid way between two concrete right of way posts (State Route 533 being sixty feet wide)

Thence again with the center of State Route 533 N. 1 - 40 W. 200 feet to an iron

Thence again with the center of State Route 533 N. 0 - 32 E. 1200 feet to an iron

Thence again with the center of State Route 533 N. 4 - 26 E. 200 feet to an iron

Thence again with the center of State Route 533 N. 10 - 01 E. 156 feet to a point at the S.E. corner of R.C. May's 7.60 acre tract

Thence with the south side of said May tract and also with the south side of Zella A. Hertenstein's 45.85 acre tract S. 85 - 57 W. 2032 feet to an iron in the East line of W. and L. Williams 25.50 acre tract the last described line passing the S.W. corner of said May 7.60 acre tract at 153 feet

Thence with the East side of said Williams 25.50 acre tract and the East side of G.W. Ansley's 137.50 acre tract and also with the East side of ~~W. W. Ansley's~~ Earnest Hamleben's 88.00 acre tract S. 6 - 43 E. 2324 feet the last described line passing a stone at the N.E. corner of the said ansley land at 808 feet and also passing the S.E. corner of the said Ansley land and the N.E. corner of said Hamleben land at 2307 feet

Thence N. 83 - 55 E. 1755 feet to the center of State Route 533

Thence with the center of State Route 533 N. 4 - 40 W. 95 feet to the place of beginning the last described line passing mid way between two concrete right of way posts at 15 feet

The above described tract containing 97.61 acres and being off of the north side of a 162.40 acre tract

cc
Logan County Engineer

2826

ID

INDEXED ON MA



Lee Surveying and Mapping Co.



Farm Surveys • Lot Surveys • Topography • Subdivisions • Construction Layout

143 EAST COLUMBUS AVENUE
BELLEFONTAINE, OHIO 43311

(513) 593-7335
(513) 593-5780

CLAYTON M. LEE, P.S.
JEFFREY I. LEE, P.S.

R. MAY (LOT B)

Lying in V.M.S. 3326, Jefferson Township, Logan County, Ohio.

Being out of the original 97.61 acre tract in the name of Robert May as deeded and described in Volume 365, Page 755, Parcel 2 of the Logan County Records of Deeds and being more particularly described as follows:

Beginning at a $\frac{1}{2}$ " steel pin set on the center-line of State Route 533, a distance of 1217.81 feet, northerly, with said center-line, from the center-line of Township Road 127.

THENCE, at right angles, N 89°-28' W, a distance of 258.58 feet to a 5/8" iron rod (set).

THENCE, parallel to State Route 533, N 0°-32' E, a distance of 175.00 feet to a $\frac{1}{2}$ " iron rod found at the southwest corner of a 1.039 acre tract (O.R. 95, Page 657).

THENCE, with the south line of the said 1.039 acre tract, S 89°-28' E, a distance of 258.58 feet to a railroad spike found on the center-line of State Route 533.

THENCE, with said center-line, S 0°-32' W, a distance of 175.00 feet to the point of beginning.

Containing 1.039 acres.

This description prepared from an actual field survey.

Basis for bearings: Center-line of State Route 533 = S 0°-32' W.

Prepared by:

Clayton M. Lee

Clayton M. Lee
Registered Professional Surveyor No. 6181
January 8, 1990



ORIGINAL STAMP IN GREEN

INDEXED ON MAP
2F262D-1

Received 1-11-90



Lee Surveying and Mapping Co.



Farm Surveys • Lot Surveys • Topography • Subdivisions • Construction Layout

143 EAST COLUMBUS AVENUE
BELLEFONTAINE, OHIO 43311

(513) 593-7335
(513) 593-5780

CLAYTON M. LEE, P.S.
JEFFREY I. LEE, P.S.

R. MAY (LOT C)

Lying in V.M.S. 3326, Jefferson Township, Logan County, Ohio.

Being out of the original 97.61 acre tract in the name of Robert May as deeded and described in Volume 365, Page 755, Parcel 2 of the Logan County Records of Deeds and being more particularly described as follows:

Beginning at a $\frac{1}{2}$ " steel pin set on the center-line of State Route 533, a distance of 1042.81 feet, northerly, with said center-line, from the center-line of Township Road 127.

THENCE, at right angles, N 89°-28' W, a distance of 258.58 feet to a 5/8" iron rod (set).

THENCE, parallel to State Route 533, N 0°-32' E, a distance of 175.00 feet to a 5/8" iron rod (set).

THENCE, S 89°-28' E, a distance of 258.58 feet to a $\frac{1}{2}$ " steel pin set on the center-line of State Route 533.

THENCE, with said center-line, S 0°-32' W, a distance of 175.00 feet to the point of beginning.

Containing 1.039 acres.

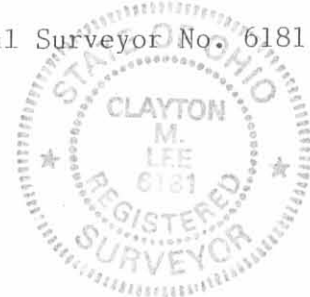
This description prepared from an actual field survey.

Basis for bearings: Center-line State route 533 = S 0°-32' W.

Prepared by:

Clayton M. Lee

Clayton M. Lee
Registered Professional Surveyor No. 6181
January 8, 1990



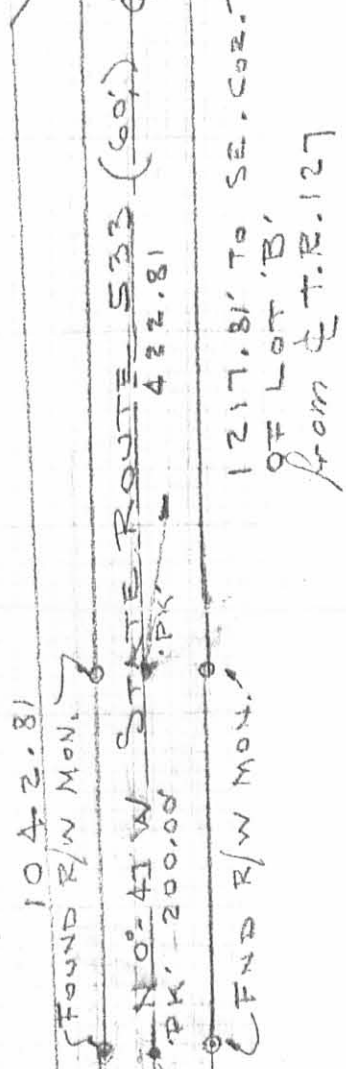
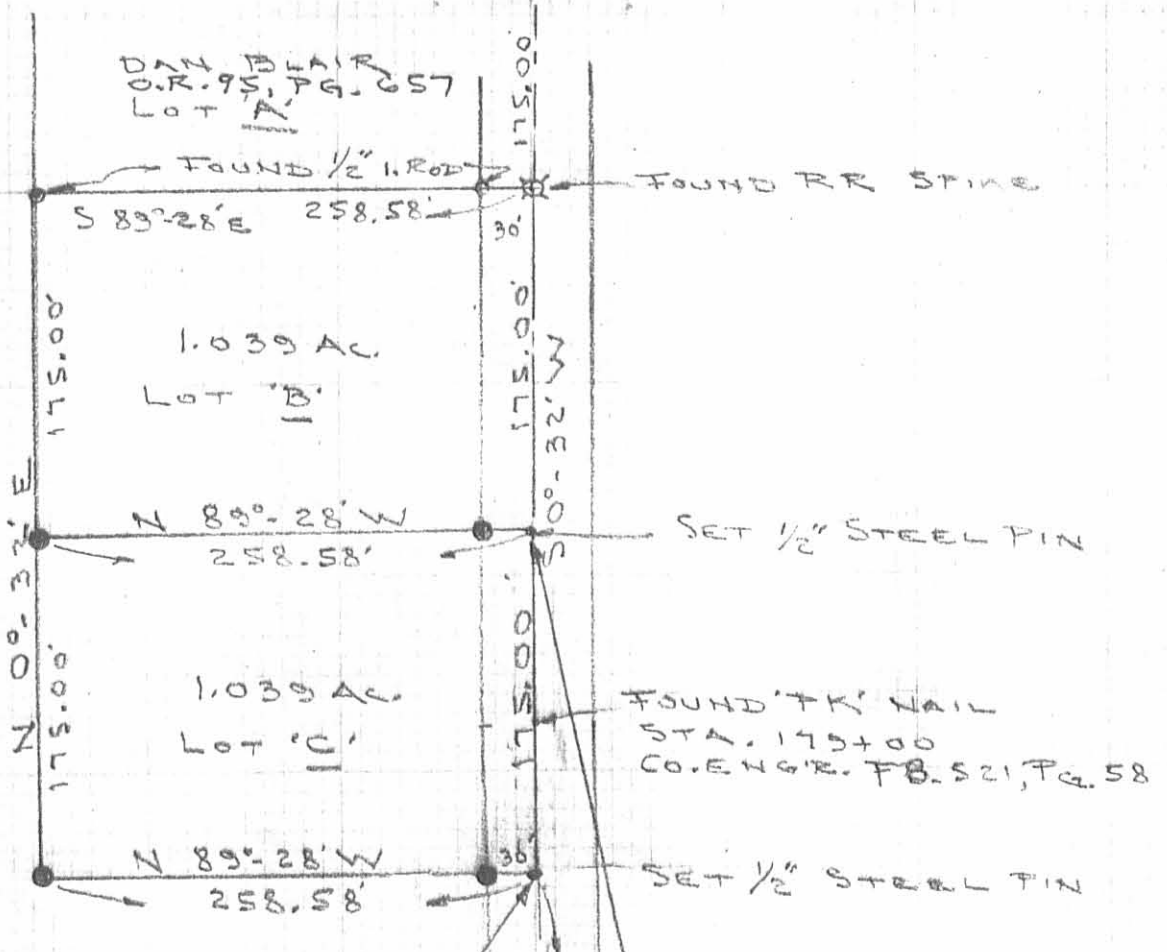
ORIGINAL STAMP IN GREEN

L-1607

INDEXED ON MAP
2525 2D-2

● = 3/8" IRON ROD (SET)

ROBERT MAY
ORIG. 97.61 AC.
VOL. 365, PG. 756
PARCEL 2



SCALE 2" = 100'

SURVEY OF 2 LOTS
OUT OF THE ROBT. MAY
ORIG. 97.61 ACRES
(VOL. 365, PG. 756
PAGE 2)

V.M.S. 3326
JEFFERSON TWP.
LOGAN COUNTY, OHIO

By: *Jeffrey I. Lee*
JEFFREY I. LEE
REG. SURVEYOR 6359
JUN. 5, 1990
FOUND 3/4" IRON ROD



ORIGINAL STAMP IN GREEN
L-7607-3

INDEXED ON MAP
2526 2P

B. MAY #
3.31.90

Received 3-30-92

OK (C.R.)



Lee Surveying and Mapping Co.



Farm Surveys • Lot Surveys • Topography • Subdivisions • Construction Layout

143 EAST COLUMBUS AVENUE
BELLEFONTAINE, OHIO 43311

(513) 593-7335

JEFFREY I. LEE, P.S.

ROBERT MAY (1.039 ACRE)

Lying in Virginia Military Survey 3326, Jefferson Township, Logan County, Ohio.

Being out of the Robert May original 97.61 acre tract as deeded and described in Volume 365, Page 756, Parcel 2 of the Logan County Records of Deeds and being more particularly described as follows:

Beginning at a railroad spike set on the center-line of State Route 533, N 5°-05'-30" W, along the center-line of State Route 533, a distance of 198.15 feet from a 3/4 inch iron rod found at the intersection of center-lines of State Route 533 and Township Road 127.

THENCE, through the said 97.61 acre tract the following three courses:

S 84°-54'-30" W, a distance of 258.58 feet to a 5/8 inch iron rod set.

N 5°-05'-33" W, a distance of 175.00 feet to a 5/8 inch iron rod set.

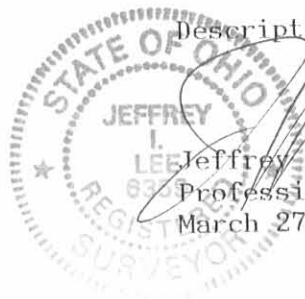
N 84°-54'-30" E, a distance of 258.58 feet to a railroad spike set on the center-line of State Route 533.

THENCE, with the center-line of State Route 533, S 5°-05'-30" E, a distance of 175.00 feet to the point of beginning.

Containing 1.039 acre of which 0.121 acre is within the highway right-of-way.

The basis for bearings is based upon the center-line of State Route 533 being S 5°-05'-30" E, and all other bearings are from angles and distances measured in a field survey by Lee Surveying and Mapping Company on March 24, 1992.

Description prepared by:



 Jeffrey I. Lee

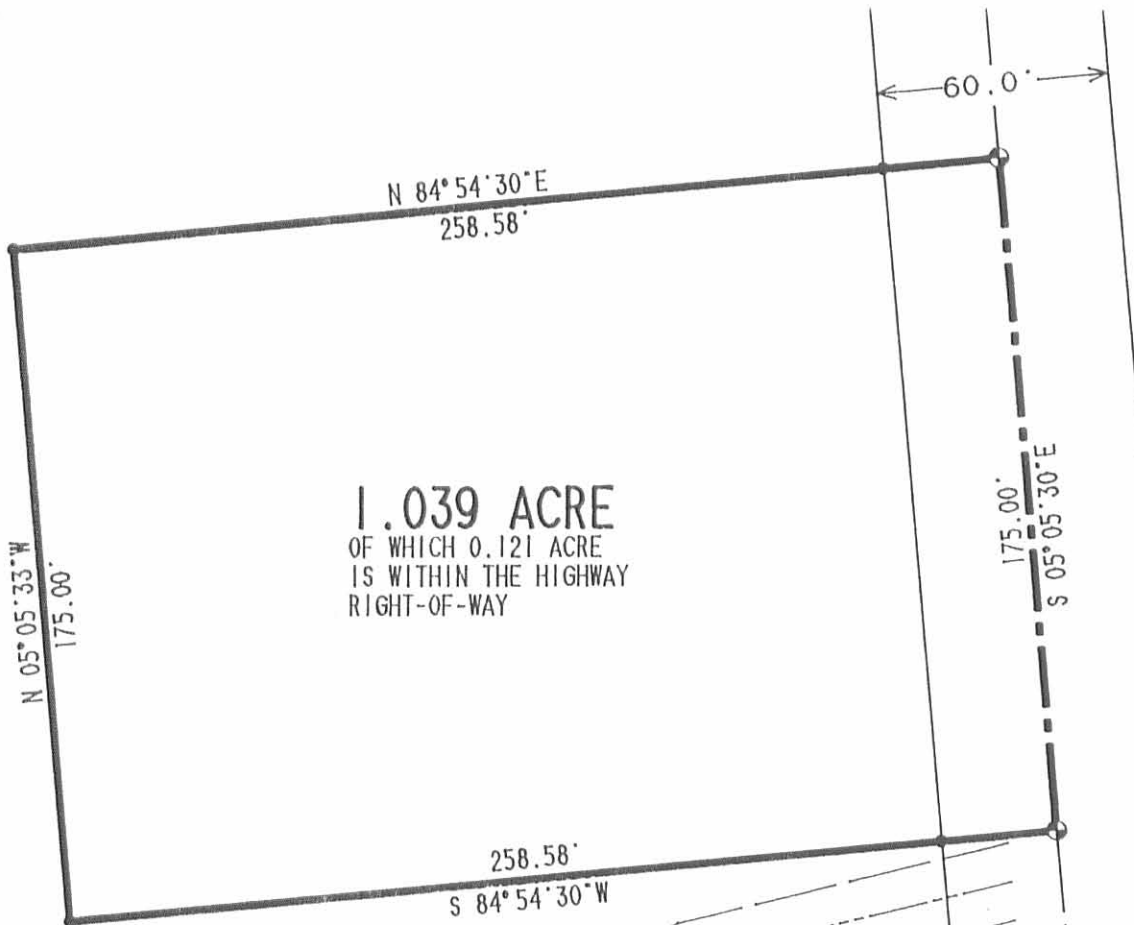
 Professional Surveyor 6359

 March 27, 1992

L 1607

ORIGINAL FILED IN GREEN

INDEXED ON MAP
2826 3D



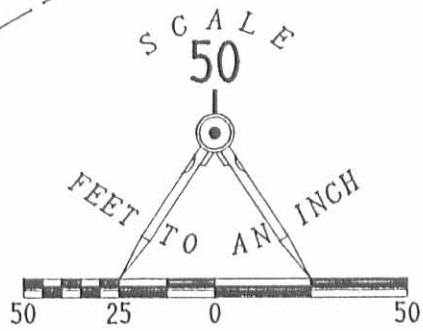
1.039 ACRE
 OF WHICH 0.121 ACRE
 IS WITHIN THE HIGHWAY
 RIGHT-OF-WAY

ROBERT MAY
 ORIG. 97.61 AC.
 VOL. 365. PG. 756. PAR. 2

CREEK

533

T.R. 127



REFERENCE:

O.D.O.T. RIGHT-OF-WAY RECORDS
 FOR STATE ROUTE 533

LEGEND

- 3/4" I. ROD FOUND
- RAILROAD SPIKE SET
- 5/8" I. ROD SET

SURVEY OF 1.039 ACRE OUT OF THE
 ROBERT MAY ORIGINAL 97.61 ACRE TRACT
 VOLUME 365. PAGE 756. PARCEL 2
 VIRGINIA MILITARY SURVEY 3326
 JEFFERSON TOWNSHIP
 LOGAN COUNTY, OHIO

SURVEYED BY:

Jeffrey I. Lee
 JEFFREY I. LEE
 PROFESSIONAL SURVEYOR 6359
 MARCH 24, 1992



LEE SURVEYING & MAPPING CO.
 143 East Columbus Avenue
 BELLEFONTAINE, OHIO 43311
 (513) 593-7335

INDEXED ON MAP
 2826 3P



Lee Surveying and Mapping Co.



Farm Surveys • Lot Surveys • Topography • Subdivisions • Construction Layout

143 EAST COLUMBUS AVENUE
BELLEFONTAINE, OHIO 43311

(513) 593-7335
(513) 593-5780

CLAYTON M. LEE, P.S.
JEFFREY I. LEE, P.S.

ROBERT MAY (1.039 ACRES)

Lying in V.M.S. 3326, Jefferson Township, Logan County, Ohio.

Being out of the Robert May 97.61 acres as deeded and described in Volume 365, Page 755, Parcel II of the Logan County Records of Deeds and being more particularly described as follows:

Beginning at a railroad spike set 1392.81 feet northerly along the center-line of State Route 533 from the intersection of center-lines of State Route 533 and Township Road 127.

THENCE, N 89°-28' W, a distance of 258.58 feet to a $\frac{1}{2}$ inch iron rod set.

THENCE, N 0°-32' E, a distance of 175.00 feet to a $\frac{1}{2}$ inch iron rod set.


THENCE, S 89°-28' E, a distance of 258.58 feet to a railroad spike set on the center-line of State Route 533.

THENCE, following the center-line of State Route 533, S 0°-32' W, a distance of 175.00 feet to the point of beginning.

Containing 1.039 acres.

Basis for bearings: Center-line of State Route 533 = S 0°-32' W.
This description prepared from an actual field survey.

Prepared by:


Jeffrey I. Lee
Professional Surveyor No. 6359
September 21, 1989

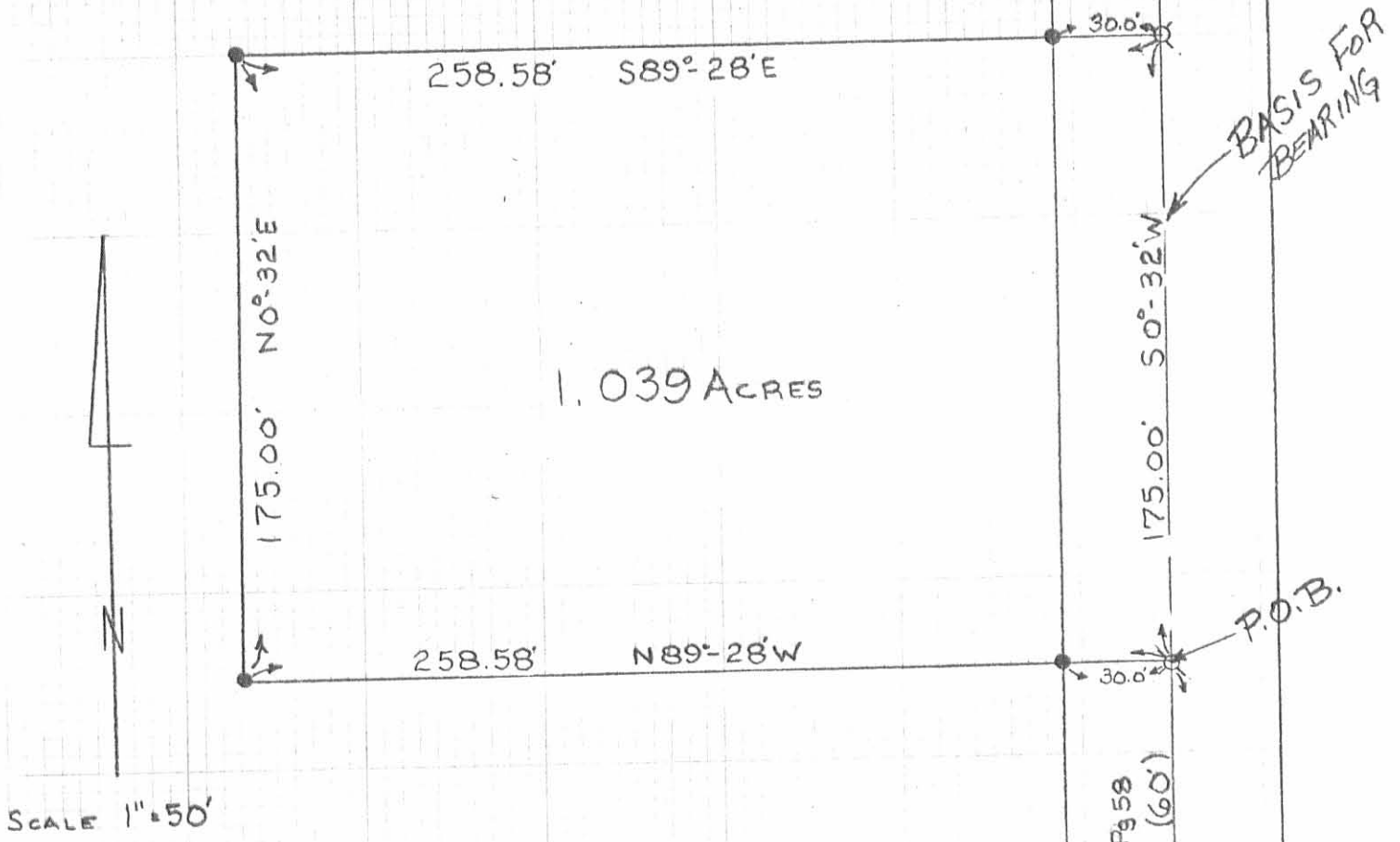


ORIGINAL BY: JAMES GREEN

INDEXED ON MAP
28264D

- LEGEND
- PK NAIL SET
 - 1/2" IRON ROD SET
 - ⊗ RAIL ROAD SPIKE SET
 - RIGHT OF WAY MONUMENT FND
 - ⊗ 3/4" IRON FND

LOGAN CO. ENG STA 186+00
F.B. 521, Pg 58



SURVEY OF 1.039 ACRES
OUT OF THE ROBERT C. MAY
97.61 ACRES, VOL 365, Pg 755 PARCEL II
VMS 3326
JEFFERSON TWP.
LOGAN CO., OHIO

LOGAN CO. ENG.
STA 179+00 F.B. 521, Pg 58
SR 533 (60)
272.75'
N0°-32'E

500.06'
N5-05'30"W
220.00'
N6-11'W
TRI 127

By *Jeffrey I. Lee*
JEFFREY I. LEE
REG. SURVEYOR 6359
SEPT, 19, 1989



LEE SURVEYING & MAPPING CO.
143 East Columbus Avenue
BELLEFONTAINE, OHIO 43311
(513) 593-7335

INDEXED ON MAP
28264P

ORIGINAL STAMP IN GREEN

L-1607-4

**Robert C. May Estate Survey
Large Tract**

The following described real estate situated in the Township of Jefferson, County of Logan, State of Ohio and being a part of Virginia Military Survey No. 3326 and being a part of an original 45.85 Acre tract and an original 97.61 Acre tract in the name of Robert C. May as recorded in Deed Volume No. 365 Page 755 (8-10-1976) and being more particularly described as follows:

Beginning for reference at an Iron Bolt found at P. I. Station No. 1029+95.00 of the centerline survey of S. R. No. 47 as shown on Plan L-44, Logan County Engineers Office and being the original northwest corner to said 45.85 Acre tract and now being the northwest corner to a 6.300 Acre tract in the name of Jerrold L. Sullivan et al as recorded in Official Record NO. 49 Page 19 (8-22-1987) and being in the west line of Virginia Military Survey No. 3326;

Thence with the centerline of S. R. No. 47 and the north line of said 6.300 Acre tract, N. 85°43'54" E. 520.00 feet to a P. K. Nail found at the northeast corner to said 6.300 Acre tract and being the true place of beginning for this survey, (Note: The centerline of S. R. No. 47 is the Basis of Bearing for this survey - N. 85°43'54" E.);

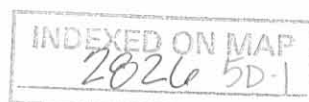
Thence continuing with the centerline of S. R. No. 47, N. 85°43'54" E. 225.46 feet to a R. R. Spike found at the northwest corner to a 2.613 Acre tract in the name of Thomas I. Messner et ux as recorded in Official Record No. 236 Page 97 (8-11-1994);

Thence with the west line of said 2.613 Acre tract, S. 5°19'37" E. 608.89 feet to a 5/8 inch Rebar found at the southwest corner to said tract, passing through a 5/8 inch Rebar found at 30.01 feet;

Thence with the south lines of said 2.613 Acre tract, a 2.613 Acre tract in the name of Plymouth Capital Co., Inc. as recorded in Official Record No. 307 Page 295 (9-10-1996), a 2.502 Acre tract in the name of Charles D. Phillips et al as recorded in Official Record No. 304 Page 423 (10-11-1996), another 2.502 Acre tract in the name of Charles D. Phillips et al as recorded in Official Record No. 304 Page 423 (10-11-1996) and an original 11.181 Acre tract (now 6.177 Acres) in the name of Michael L. Tevis et ux as recorded in Official Record No. 200 Page 742 (8-30-1993), N. 85°43'54" E. 1,174.00 feet to a 5/8 inch Rebar found in the west line of a 7.600 Acre tract in the name of Robert C. May as recorded in Official Record No. 291 Page 185 (6-11-1996), passing through 5/8 inch Rebars found at 187.00 feet, 374.00 feet, 553.00 feet and 732.00 feet;

Thence with the west line of said 7.600 Acre tract, S. 4°57'46" E. 476.36 feet to a 5/8 inch Rebar found at the southwest corner to said 7.600 Acre tract and the southeast corner to said 45.85 Acre tract and in the north line of said 97.61 Acre tract (now being a 2.647 Acre tract as surveyed on May 20, 1997);

Thence with the line between said original 45.85 Acre tract and said original 97.61 Acre tract (now being a 2.647 Acre tract), S. 85°57'00" W. 513.66 feet to a 5/8 inch Rebar found at the northwest corner to said 2.647 Acre tract, passing through a 5/8 inch Rebar found at 282.60 feet;



Thence with the west lines of said 2.647 Acre tract and a 2.754 Acre tract as surveyed on May 20, 1997 and a 3.000 Acre tract in the name of Norman J. Marshall et ux as recorded in Official Record No. 293 Page 939 (7-5-1996), S. $0^{\circ}20'30''$ W. 551.63 feet to a 5/8 inch Rebar found at the southwest corner to said 3.000 Acre tract, passing through 5/8 inch Rebars found at 160.15 feet and 342.63 feet;

Thence with the south line of said 3.000 Acre tract, S. $89^{\circ}39'30''$ E. 366.68 feet to a 5/8 inch Rebar found at the northwest corner to a 1.039 Acre tract in the name of Danny J. Blair et ux as recorded in Official Record No. 95 Page 657 (1020-1989);

Thence with the west lines of said 1.039 Acre tract and a 1.039 Acre tract in the name of David A. Blake et al as recorded in Official Record No. 275 Page 288 (12-1-1995), S. $0^{\circ}20'30''$ W. 350.00 feet to a 5/8 inch Rebar found at the northwest corner to a 1.039 Acre tract in the name of Terry M. Gill et ux as recorded in Official Record No. 132 Page 961 (7-26-1991) and being the southwest corner to said 1.039 Acre tract in the name of Blake, passing through a 5/8 inch Rebar found at 175.00 feet;

Thence with an extension to Gill's north line and the north line of a 2.000 Acre tract as surveyed this date, N. $89^{\circ}39'30''$ W. 260.00 feet to a 5/8" x 30" Rebar set at the northwest corner to said 2.000 Acre tract;

Thence with the west line of said 2.000 Acre tract, S. $0^{\circ}20'30''$ W. 342.415 feet to a 5/8" x 30" Rebar set at the southwest corner to said 2.000 Acre tract;

Thence with the south line of said 2.000 Acre tract and the south line of a 1.038 Acre tract in the name of Terry M. Gill, Sr. et ux as recorded in Official Record No. 233 Page 140 (7-11-1994), S. $89^{\circ}39'30''$ E. 518.58 feet to a R. R. Spike found in the centerline of S. R. No. 533 at the southeast corner to said 1.038 Acre tract, passing through a 5/8 inch Rebar found at 248.58 feet and 488.58 feet;

Thence with the centerline of said S. R. No. 533, S. $0^{\circ}20'30''$ W. 82.415 feet to a R. R. Spike set at the northeast corner to a 0.527 Acre tract as surveyed this date;

Thence with the north line of said 0.527 Acre tract, N. $89^{\circ}39'30''$ W. 270.00 feet to a 5/8" x 30" Rebar set at the northwest corner to said 0.527 Acre tract, passing through a 5/8" x 30" Rebar set at 30.00 feet;

Thence S. $0^{\circ}20'30''$ W. 85.00 feet to a 5/8 inch Rebar found at the northwest corner to a 1.049 Acre tract in the name of Malcolm W. May as recorded in Official Record No. 251 Page 828 (1-31-1995);

Thence with the west line of May's 1.049 Acre tract and the west line of a tract of 1.032 Acres in the name of Robin Marie Moore as recorded in Official Record No. 242 Page 279 (7-11-1994), S. $3^{\circ}09'41''$ E. 358.50 feet to a 5/8 inch Rebar found at the northwest corner to a 1.039 Acre tract in the name of John T. Steinhelfer et al as recorded in Official Record No. 265 Page 383 (8-28-1995), passing through a 5/8 inch Rebar found at 177.87 feet;

Thence with the west line of said Steinhelfer's tract, S. 4°37'30" E. 175.00 feet to a 5/8 inch Rebar found in the north line of a 8.169 Acre tract in the name of Susan R. Weatherby et al as recorded in Official Record No. 244 Page 11 (11-12-1994) and being the southwest corner to Steinhelfer's tract;

Thence with the north line of Weatherby's tract, S. 85°21'40" W. 1,034.86 feet to a 5/8 inch Rebar found at the northwest corner to Weatherby's tract and being in the east line of a 12.010 Acre tract in the name of Richard F. Olson et al as recorded in Official Record No. 9 Page 16 (9-30-1985);

Thence with the east line of Olson's tract, N. 6°46'13" W. 782.90 feet to a 5/8 inch Rebar found;

Thence with another east line of Olson's tract, N. 19°29'00" E. 203.65 feet to a 5/8 inch Rebar found;

Thence continuing with Olson's tract, N. 70°31'00" W. 20.00 feet to a 5/8 inch Rebar found;

Thence with another of Olson's lines, S. 46°10'00" W. 563.67 feet to a 5/8 inch Rebar found;

Thence with another of Olson's lines, S. 83°13'47" W. 93.52 feet to a 5/8 inch Rebar found at his northwest corner and being in the west line of Virginia Military Survey No. 3326 and the east line of Virginia Military Survey No. 3327, which is also the east line of a 61.276 Acre tract in the name of Philip L. Thompson et al as recorded in Official Record No. 27 Page 665 (9-2-1986);

Thence with the line between said V.M.S.'s and the east lines of said 61.276 Acre tract and a 31.600 Acre tract in the name of Stephen J. Cramer et al as recorded in Official Record No. 13 Page 316 (1-4-1986) and an original 24.550 Acre tract (now 20.210 Acres) in the name of Dennis D. Kuba et al as recorded in Official Record No. 15 Page 556 (2-25-1986), N. 7°06'30" W. 1,919.83 feet to a 5/8 inch Rebar found at the southwest corner to said 6.300 Acre tract in the name of Jerrold L. Sullivan et al;

Thence with Sullivan's south line, N. 85°43'54" E. 520.00 feet to a 5/8 inch Rebar found at his southeast corner;

Thence with his east line, N. 7°26'23" W. 528.56 feet to the true place of beginning, passing through a 5/8 inch Rebar found at 498.51 feet, containing 3,608,096.840 square feet or 82.831 Acres, more or less.

Of the above described tract, there being 1,008,109.080 square feet or 23.143 Acres out of said original 45.850 Acre tract and 2,599,987.760 square feet or 59.688 Acres out of said original 97.610 Acre tract.

Of the above described tract, there is 6,763.800 square feet or 0.155 Acres in the right of way of S. R. No. 47 and 2,472.450 square feet or 0.057 Acres in the right of way of S. R. No. 533.

I hereby certify that this description is the result of a field survey made by me on June 9, 1997.



Daniel E. Gilbert
DANIEL E. GILBERT, P.S.
REG. SUR. NO. 5402
400 N. PARK ST.
BELLEFONTAINE, OHIO 43311
TELEPHONE: 1 (419) 593-1428
937

INDEXED ON MAP
2826 5D3

Iron Bolt Fd.
P. I. Sta. 1029+9500
Plan L-44

S. R. No. 47

Jerrold L. Sullivan et al
O. R. No. 49 P 19 (8-22-1987)
12-080-00-00-013.002

6.300 Acres

Dennis D. Kuba et al
O. R. No. 15 P. 556 (2-25-1986)
12-080-00-00-014.000
Original 24,550 Acres
Now 20,210 Acres

V.M.S. No. 3326
V.M.S. No. 3327

Stephen J. Cramer et al
O. R. No. 13 P 316 (1-4-1986)
12-080-00-00-017.003

31.600 Acres

Philip L. Thompson et al
O. R. No. 27 P 665 (9-2-1986)
12-080-00-00-017.000

61.276 Acres

Richard F. Olson et al
O. R. No. 9 P. 16 (9-30-1985)
12-080-00-00-013.001

12.010 Acres

Susan R. Weatherby et al
O. R. No. 244 P 11 (11-12-1994)
12-080-00-00-013.008

8.169 Acres

3,608,096.840^{sq}
or
82.831 Acres

2,599,987.760^{sq}
or
59.688 Acres

1,008,109.080^{sq}
or
23.143 Acres

Original 45.85 Acre Tract
Original 97.61 Acre Tract

Thomas I. Messner et ux
O. R. No. 236 P 37 (8-11-1994)
12-080-00-00-013.010
2.613 Acres

Plymouth Capital Co., Inc.
O. R. No. 307 P 295 (9-10-1996)
12-080-00-00-013.011
2.502 Acres

Charles D. Phillips et al
O. R. No. 304 P 423 (10-11-1996)
12-080-00-00-013.015
2.502 Acres

Charles D. Phillips et al
O. R. No. 304 P 423 (10-11-1996)
12-080-00-00-013.016
2.502 Acres

Michael L. Tevis et ux
O. R. No. 200 P 742 (8-30-1993)
12-080-00-00-013.007
Original 11.181 Acres
(Now 6.177 Acres)

Robert C. May
O. R. No. 291 P 185 (6-11-1996)
12-080-00-00-006.000

7.600 Acres

2.647 Acres
B
(See Plan 097-006)
May 20, 1997

2.754 Acres
A

Norman J. Marshall et ux
O. R. No. 293 P 939 (7-5-1996)
12-080-00-00-013.014

3.000 Acres

Danny J. Blair et ux
O. R. No. 95 P 657 (10-20-1983)
-013.003
1.039 Acres

David A. Blake et al
O. R. No. 275 P 288 (2-1-1995)
-013.004
1.039 Acres

Terry M. Gill et ux
O. R. No. 132 P 961 (7-26-1991)
-013.005
1.039 Acres

Terry M. Gill, Sr.
O. R. No. 233 P 140 (7-11-1994)
-013.009
1.038 Acres

Malcolm W. May et ux
O. R. No. 251 P 828 (1-31-1995)
-013.013
1.049 Acres

Robin Marie Moore
O. R. No. 242 P 279 (7-11-1994)
-013.012
1.032 Acres

John T. Steinhelfer et al
O. R. No. 265 P 385 (8-28-1993)
-013.006
1.039 Acres

S. R. No. 533

Malcolm W. May et ux
O. R. No. 251 P 828 (1-31-1995)
-013.013
1.049 Acres

Robin Marie Moore
O. R. No. 242 P 279 (7-11-1994)
-013.012
1.032 Acres

John T. Steinhelfer et al
O. R. No. 265 P 385 (8-28-1993)
-013.006
1.039 Acres

Malcolm W. May et ux
O. R. No. 251 P 828 (1-31-1995)
-013.013
1.049 Acres

Robin Marie Moore
O. R. No. 242 P 279 (7-11-1994)
-013.012
1.032 Acres

John T. Steinhelfer et al
O. R. No. 265 P 385 (8-28-1993)
-013.006
1.039 Acres

Malcolm W. May et ux
O. R. No. 251 P 828 (1-31-1995)
-013.013
1.049 Acres

Robin Marie Moore
O. R. No. 242 P 279 (7-11-1994)
-013.012
1.032 Acres

John T. Steinhelfer et al
O. R. No. 265 P 385 (8-28-1993)
-013.006
1.039 Acres

Sta. 167+80
1" Iron Bar Fd.

Sta. 172+00
5/8" Rebar in Mon. Box Fd.

Sta. 174+00
5/8" Rebar in Mon. Box Fd.

Sta. 186+00
5/8" Rebar in Mon. Box Fd.

Sta. 190+00
5/8" Rebar in Mon. Box Fd.

Sta. 192+00
5/8" Rebar in Mon. Box Fd.

Sta. 194+00
5/8" Rebar in Mon. Box Fd.



T. R. No. 127

INDEXED
2026 5P



0 50 100 200 300 400
Scale: 1" = 200'

Reference Deed:
Robert C. May,
Deed Vol. No. 365 P. 755 (8-10-1976).

Symbols:
• - P. K. Nail Fd.
• - R. R. Spikes Fd.
• - R. R. Spike Set.
⊗ - 5/8" Rebars Fd.
⊗ - 5/8" x 30' Rebars Set

Robert C. May Estate Survey V. M. S. No. 3326, Jefferson Township, Logan County, Ohio.		
SCALE 1" = 200'	APPROVED BY	DRAWN BY DEG
DATE 6-9-1997		Revised: 8-7-1997
Daniel E. Gilbert, P.S. Reg. Sur. No. 5402		DRAWING NUMBER 097-020

REC'D 11-9-09 SUM OK

Lee Surveying and Mapping Co., Inc.

Land Surveys • Topography • Subdivisions • Construction Layout

117 N. Madriver St.
Bellefontaine OH 43311



Phone: (937) 593-7335
Fax: (937) 593-7444
surveys@lsminc.us

JOHNSTON 69.486 ACRES

Lying in Virginia Military Survey 3326, Jefferson Township, Logan County, Ohio.

Being all of the Brian A. Johnston and Kimberly Johnston 69.332 acre tract and 0.527 acre tract as deeded and described in Official Record 706, Page 461, Tract I and Tract III of the Logan County Records of Deeds and being more particularly described as follows:

Commencing on a 1 inch iron rod found on the intersection of the center-lines of Ohio Route 533 and Township Road 127 at Station 167+80 (Logan County Engineer's Field Book 579, Page 45).

THENCE, with the center-line of Ohio Route 533 (60 feet wide), the following three courses:

N 04°-46'-41"W, a distance of 420.20 feet to a 5/8 inch iron rod found in monument box at Station 172+00 (Logan County Engineer's Field Book 579, Page 45 and Field Book 521, Page 58).

N 01°-44'-05"W, a distance of 199.65 feet to a 5/8 inch iron rod found in monument box at Station 177+00.

N 00°-29'-17"E, a distance of 87.61 feet to a MAG nail set at the TRUE POINT OF BEGINNING.

THENCE, with the north line of the Thomas Wolinski 1.049 acre tract (O.R. 902, Pg. 510), N 88°-40'-21"W, a distance of 269.30 feet to a 5/8 inch iron rod found, passing a railroad spike found at 0.18 feet and a 5/8 inch iron rod found at 30.19 feet.

THENCE, with the west lines of the said 1.049 acre tract and the Douglas A. Kildow 1.032 acre tract (O.R. 538, Pg. 128), S 03°-36'-55"E, a distance of 358.93 feet to a 5/8 inch iron rod found.

THENCE, with the west line of the John T. Steinhelfer 1.039 acre tract (O.R. 265, Pg. 383), S 04°-54'-36"E, a distance of 175.00 feet to a 5/8 inch iron rod found.

THENCE, with the north line of the Susan R. Weatherby 8.169 acre tract (O.R. 244, Pg. 11), S 84°-58'-55"W, a distance of 1035.20 feet to a 5/8 inch iron rod found.

THENCE, with the lines of the Jerry L. Deal 12.01 acre tract (O.R. 603, Pg. 237), the following five courses:

N 06°-50'-00"W, a distance of 785.72 feet to a 5/8 inch iron rod found.

N 18°-57'-19"E, a distance of 203.74 feet to a 5/8 inch iron rod found.

N 71°-13'-11"W, a distance of 20.12 feet to a 5/8 inch iron rod found.

S 45°-59'-21"W, a distance of 563.61 feet to a 5/8 inch iron rod found.

S 83°-06'-28"W, a distance of 93.24 feet to a 5/8 inch iron rod found on the west line of Virginia Military Survey 3326.

THENCE, with the west line of Virginia Military Survey 3326 and the east lines of the Philip L. Thompson 61.276 acre tract (O.R. 27, Pg. 665), the Stephen J. Cramer 31.60 acre tract (O.R. 13, Pg. 316) and the Tommy Jarrett 20.210 acre tract (O.R. 862, Pg. 742), N 07°-06'-30"W, a distance of 1915.94 to a 5/8 inch iron rod found.

THENCE, with the south line of the Jerrold L. Sullivan 6.300 acre tract (O.R. 49, Pg. 19), N 85°-31'-54"E, a distance of 520.00 feet to a 5/8 inch iron rod found.

INDEXED ON MAP
2826 60-1

Lee Surveying and Mapping Co., Inc.

Land Surveys • Topography • Subdivisions • Construction Layout

117 N. Madriver St.
Bellefontaine OH 43311



Phone: (937) 593-7335
Fax: (937) 593-7444
surveys@lsminc.us

THENCE, with the lines of the Glen R, Higginbotham, II, 2.192 acre tract (O.R. 748, Pg. 534, Tract 2), the following three courses:

S 07°-11'-02"E, a distance of 235.03 feet to a 5/8 inch iron rod found.

N 85°-31'-16"E, a distance of 576.74 feet to a 5/8 inch iron rod found.

N 07°-06'-41"W, a distance of 151.09 feet to a 5/8 inch iron rod found.

THENCE, with the south line of the Robert L. Richard 2.502 acre tract (O.R. 700, Pg. 213), N 85°-37'-17"E, a distance of 178.78 feet to a 5/8 inch iron rod found.

THENCE, with the west lines of the Lisa A. Reed 2.550 acre tract (O.R. 512, Pg. 753), the Wayne A. Steinberger original 4.354 acre tract (O.R. 396, Pg. 284, Tract I) and the Amy L. Herron 1.523 acre tract (O.R. 831, Pg. 272, Parcel II), S 04°-35'-47"W, a distance of 803.27 feet to a 5/8 inch iron rod found.

THENCE, with the south line of the said 1.523 acre tract, S 89°-32'-08"E, a distance of 210.01 feet to a 5/8 inch iron rod found.

THENCE, with the lines of the Benjamin J. Taylor 3.000 acre tract (O.R. 881, Pg. 386), the following two courses:

S 00°-27'-00"W, a distance of 209.01 feet to a 5/8 inch iron rod found.

S 89°-30'-43"E, a distance of 366.66 feet to a 5/8 inch iron rod found.

THENCE, with the west lines of the Danny J. Blair 1.039 acre tract (O.R. 95, Pg. 657) and the Marlyn Duane Kelly, etal, trustees, 1.039 acre tract (O.R. 957, Pg. 962), S 00°-27'-19"W, a distance of 349.89 feet to a 5/8 inch iron rod found.

THENCE, with the lines of the Terry M. Gill, Sr., 2.000 acre tract (O.R. 330, Pg. 926), the following two courses:

N 89°-35'-55"W, a distance of 259.50 feet to a 5/8 inch iron rod found.

S 00°-33'-27"W, a distance of 341.77 feet to a 5/8 inch iron rod found.

THENCE, with the south lines of the said 2.000 acre tract and the Terry M. Gill, Sr., 1.038 acre tract (O.R. 233, Pg. 140), S 89°-25'-57"E, a distance of 518.28 feet to a MAG nail set on the center-line of Ohio Route 533, passing a 5/8 inch iron rod found at 487.65 feet and a railroad spike found at 517.75 feet.

THENCE, with the center-line of Ohio Route 533, S 00°-29'-17"W, a distance of 167.33 feet to the point of beginning.

Containing 69.486 acres, of which 0.115 acre is within the highway right-of-way.

The basis for bearings is the west line of Virginia Military Survey 3326, being N 07°-06'-30"W, and all other bearings are from angles and distances measured in a field survey by Lee Surveying and Mapping Co., Inc. on November 3, 2009.

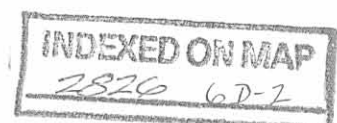
Description prepared by:

A handwritten signature in black ink that reads "William K. Bruce".

William K. Bruce
Professional Surveyor 7437
November 5, 2009

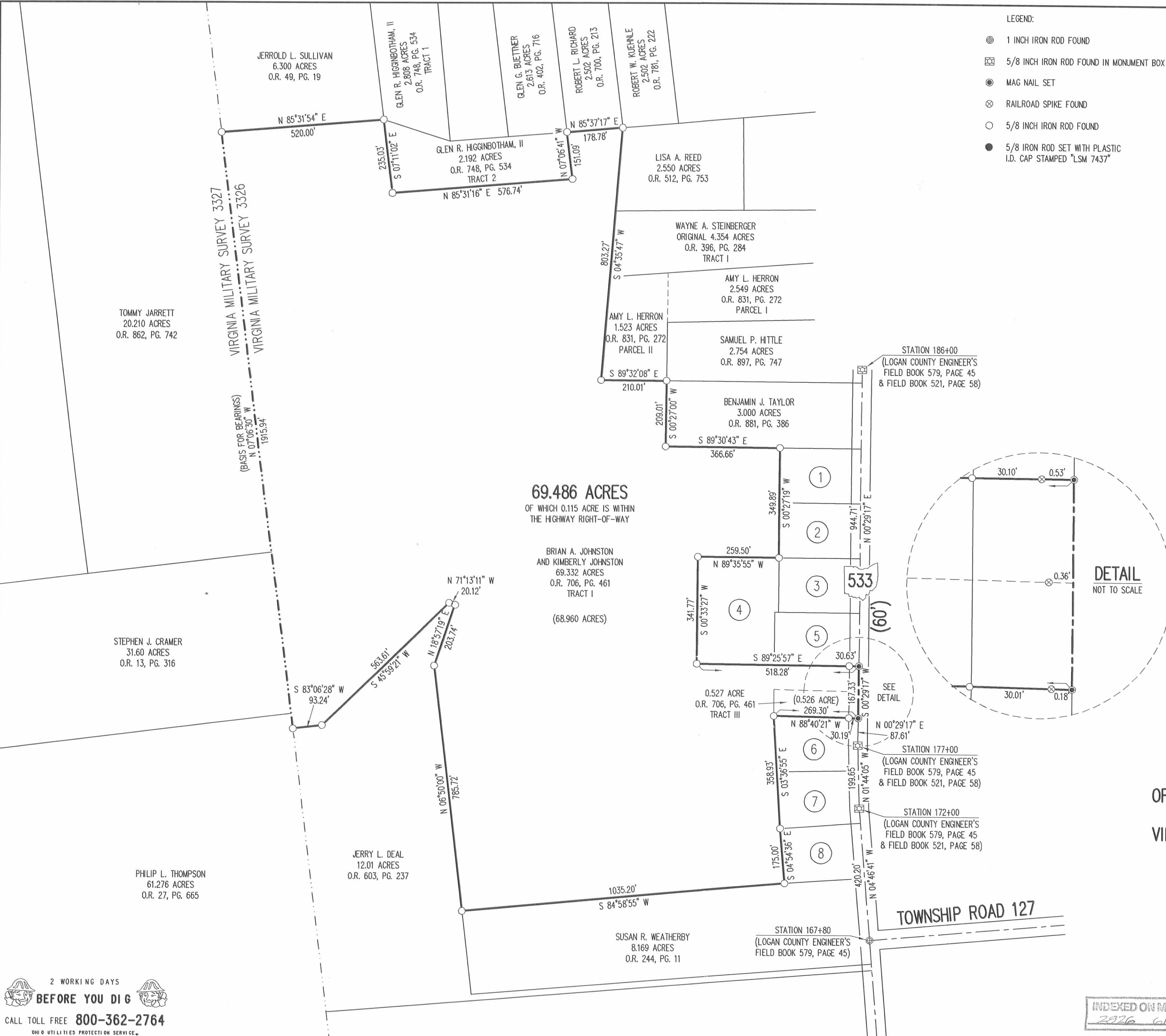


ORIGINAL STAMP IN GREEN



1607109

REID 11-9-09 SUMAC

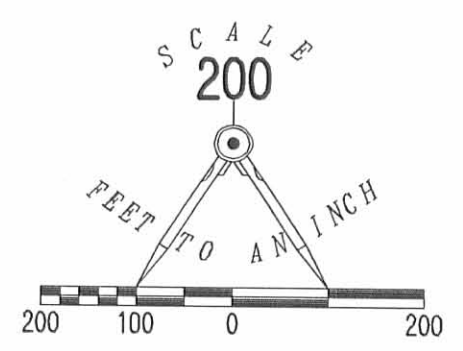


69.486 ACRES
OF WHICH 0.115 ACRE IS WITHIN
THE HIGHWAY RIGHT-OF-WAY

BRIAN A. JOHNSTON
AND KIMBERLY JOHNSTON
69.332 ACRES
O.R. 706, PG. 461
TRACT I

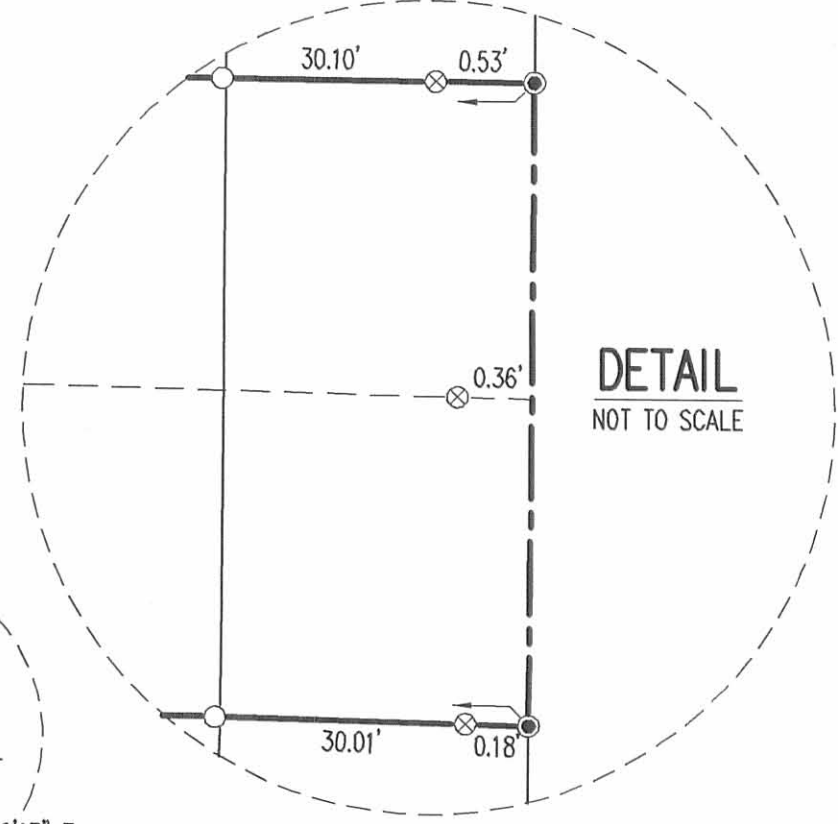
(68.960 ACRES)

- LEGEND:
- ⊕ 1 INCH IRON ROD FOUND
 - ⊗ 5/8 INCH IRON ROD FOUND IN MONUMENT BOX
 - MAG NAIL SET
 - ⊗ RAILROAD SPIKE FOUND
 - 5/8 INCH IRON ROD FOUND
 - 5/8 IRON ROD SET WITH PLASTIC I.D. CAP STAMPED "LSM 7437"



ADJOINERS

- 1 DANNY J. BLAIR
1.039 ACRES
O.R. 95, PG. 657
- 2 MARLYN DUANE KELLY,
ETAL, TRUSTEES
1.039 ACRES
O.R. 957, PG. 962
- 3 TERRY M. GILL
1.039 ACRES
O.R. 132, PG. 961
- 4 TERRY M. GILL, SR.
2.000 ACRES
O.R. 330, PG. 926
- 5 TERRY M. GILL, SR.
1.038 ACRES
O.R. 233, PG. 140
- 6 THOMAS WOLINSKI
1.049 ACRES
O.R. 902, PG. 510
- 7 DOUGLAS A. KILDOW
1.032 ACRES
O.R. 538, PG. 128
- 8 JOHN T. STEINHELFER
1.039 ACRES
O.R. 265, PG. 383



**SURVEY OF THE
BRIAN A. JOHNSTON AND
KIMBERLY JOHNSTON
69.332 ACRE TRACT
AND 0.527 ACRE TRACT
OFFICIAL RECORD 706, PAGE 461
TRACT I AND TRACT III
VIRGINIA MILITARY SURVEY 3326
JEFFERSON TOWNSHIP
LOGAN COUNTY, OHIO**

SURVEYED BY:

William K. Bruce
WILLIAM K. BRUCE
PROFESSIONAL SURVEYOR 7437
NOVEMBER 3, 2009



COPYRIGHT 2009 BY:
LEE SURVEYING & MAPPING CO., INC.
117 North Modriver Street
BELLEFONTAIN, OHIO 43111
(937) 593-7335
surveys@lsmc.us

INDEXED ON MAP
2026 GP

KSS D1109 1607109 L-1607-2

2 WORKING DAYS
BEFORE YOU DIG
CALL TOLL FREE **800-362-2764**
OHIO UTILITIES PROTECTS YOUR SERVICE