

Dunaway Survey

Huntsville

Feb. 1959

1.02 Acres

The following described land in the Village of Huntsville, McArthur Township, Logan County, Ohio and being in V.M.S. 9903 9928

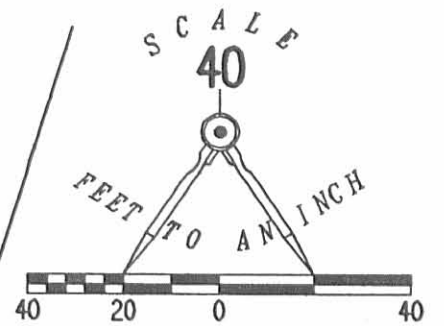
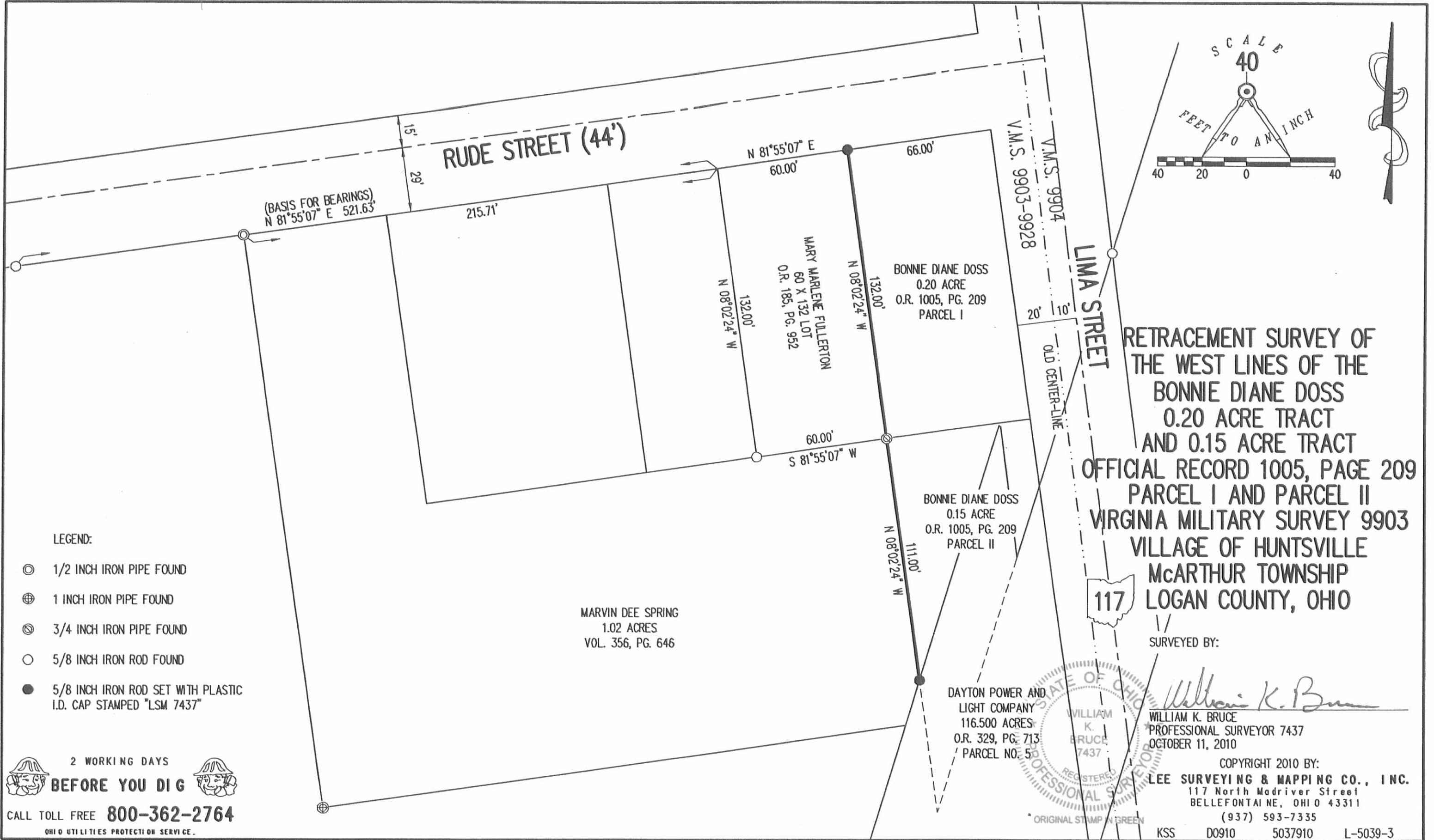
Beginning in the center line of Lima Road ~~W. 53~~ now known as U.S.Route 33 thences. 81 - 53 W. with the south side of Rude Street 296.00 feet to ~~W. 53~~ an iron at the N.W. corner of Ralph Sollar's 0.15 acre tract for the beginning point of this survey thence with the west line of said Sollar's tract S. 8 - 07 E. 132.00 feet to an iron at said Sollar's S.W. corner thence with the south line of said Sollar's tract, the south line of Ester Heil 0.15 acre tract, the south line of Bessie Willoby 0.16 acre tract the south line of Alma Brownell 0.18 acre tract to an iron at the south side of a wood post at the S.E. corner of said Brownell tract and at the N.W. corner of Lulu Colter's 0.15 acre tract the last described line being N. 81 - 53 E. 210.00 feet thence with the present fence line at the west side of said Colter 0.15 acre tract S. 7 - 39 E. 111.00 feet to an iron at the south side of a wood post thence with the present fence line at the west side of the C.C.O. & St. L. R.R. S. 15 - 57 W. 22.2 feet to a wood post thence with the present fence line at the north side of Thomas P. Shank's 2.33 acre tract S. 81 - 55 W. 264.60 feet to a pipe at the east side of a large wood post thence with the east side of Arthur Horn's and Bessie M. Goebel's 0.57 acre tract N. 8 - 07 W. 262.60 feet to an iron at the south side of Rude Street thence with the south side of Rude Street N. 81 - 53 E. 65.00 feet to the place of beginning said described tract containing 1.02 acres.

cc Logan County Engineer.

310910

INDEXED ON MAP

REC'D 10-20-10 SMM/MLC



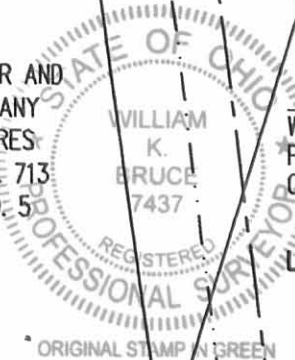
RETRACEMENT SURVEY OF
THE WEST LINES OF THE
BONNIE DIANE DOSS
0.20 ACRE TRACT
AND 0.15 ACRE TRACT
OFFICIAL RECORD 1005, PAGE 209
PARCEL I AND PARCEL II
VIRGINIA MILITARY SURVEY 9903
VILLAGE OF HUNTSVILLE
McARTHUR TOWNSHIP
LOGAN COUNTY, OHIO

117

SURVEYED BY:

William K. Bruce

WILLIAM K. BRUCE
PROFESSIONAL SURVEYOR 7437
OCTOBER 11, 2010



DAYTON POWER AND
LIGHT COMPANY
116.500 ACRES
O.R. 329, PG. 713
PARCEL NO. 5

- LEGEND:
- ⊙ 1/2 INCH IRON PIPE FOUND
 - ⊕ 1 INCH IRON PIPE FOUND
 - ⊗ 3/4 INCH IRON PIPE FOUND
 - 5/8 INCH IRON ROD FOUND
 - 5/8 INCH IRON ROD SET WITH PLASTIC I.D. CAP STAMPED "LSM 7437"

2 WORKING DAYS
BEFORE YOU DIG
CALL TOLL FREE **800-362-2764**
OHIO UTILITIES PROTECTION SERVICE

COPYRIGHT 2010 BY:
LEE SURVEYING & MAPPING CO., INC.
117 North Madriver Street
BELLEFONTAINE, OHIO 43311
(937) 593-7335
KSS D0910 5037910 L-5039-3

INDEXED GNT MAP
3109 2P

Lee Surveying and Mapping Co., Inc.

Land Surveys • Topography • Subdivisions • Construction Layout

117 N. Madriver St.
Bellefontaine OH 43311



Phone: (937) 593-7335
Fax: (937) 593-7444
surveys@lsmcinc.us

FULLERTON 0.182 ACRE

Lying in Virginia Military Survey 9903, McArthur Township, Village of Huntsville, Logan County, Ohio.

Being all of the Mary Marlene Fullerton 0.18 acre tract as deeded and described in Official Record 185, Page 952 of the Logan County Records of Deeds and being more particularly described as follows:

Commencing at a MAG nail set at the intersection of center-lines of Rude Street (44 feet wide) and Ohio Route 117 (Lima Street) (60 feet wide).

THENCE, with the center-line of Rude Street, S 81°-55'-07"W, a distance of 156.00 feet to a MAG nail set.

THENCE, S 08°-02'-24"E, a distance of 29.00 feet to a 5/8 inch iron rod set on the south right-of-way of Rude Street at the TRUE POINT OF BEGINNING.

THENCE, with the south right-of-way of Rude Street, N 81°-55'-06"E, a distance of 60.00 feet to a 5/8 inch iron rod found.

THENCE, with the west line of the Bonnie Diane Doss 0.20 acre tract (O.R. 1005, Pg. 209 Parcel I), S 08°-02'-24"E, a distance of 132.00 feet to a 5/8 inch iron rod found.

THENCE, with the north line of the Marvin Dee Spring and Rebecca Jo Spring 1.02 acre tract (Vol. 356, Pg. 646), S 81°-55'-06"W, a distance of 60.00 feet to a 5/8 inch iron rod found.

THENCE, with the east line of the Adam L. Brunson and Syndi J. Jackson 0.16 acre tract (O.R. 688, Pg. 938 Tract II), N 08°-02'-24"W, a distance of 132.00 feet to the point of beginning.

Containing 0.182 acre.

Property is subject to any and all previous easements and rights-of-way of record.

The basis for bearings is the center-line of Rude Street, being S 81°-55'-07"W, and all other bearings are from angles and distances measured in a field survey by Lee Surveying and Mapping Co., Inc. on April 18, 2011.

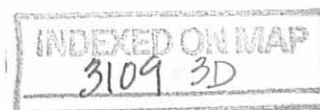
Description prepared by:



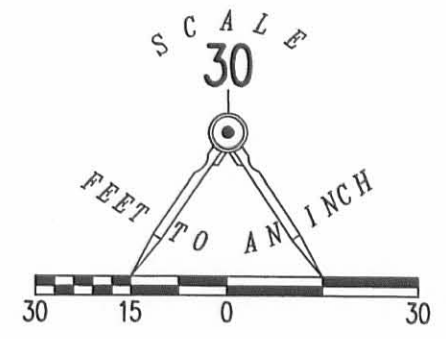
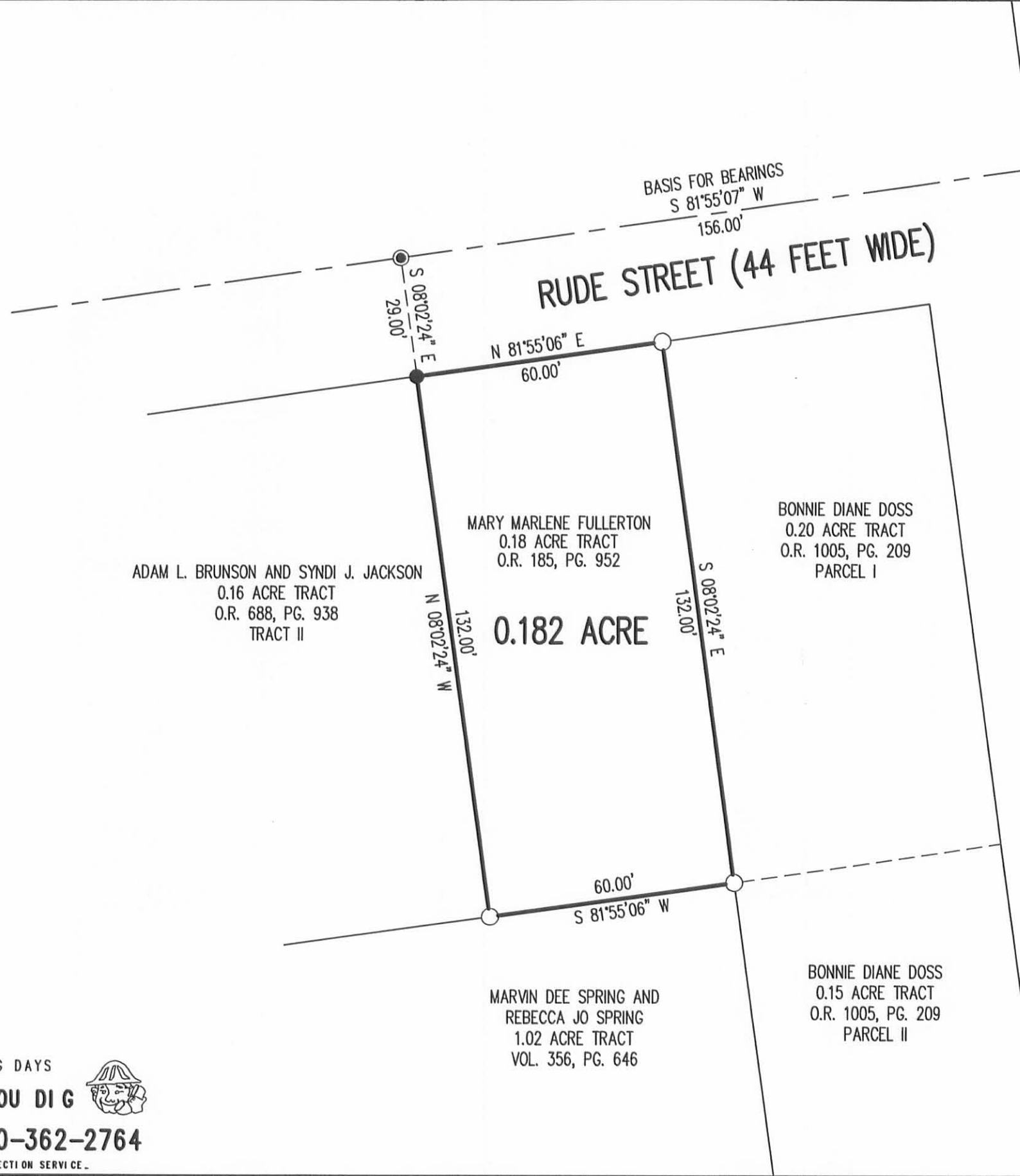
William K. Bruce

William K. Bruce
Professional Surveyor 7437
April 18, 2011

51100311



REC'D 4-20-11 SWY OK



- LEGEND
- 5/8 INCH IRON ROD SET WITH PLASTIC I.D. CAP STAMPED "LSM 7434"
 - 5/8 INCH IRON ROD FOUND
 - ⊙ MAG NAIL SET

A RETRACEMENT SURVEY OF THE
MARY MARLENE FULLERTON
0.18 ACRE TRACT
OFFICIAL RECORD 185, PAGE 952
VIRGINIA MILITARY SURVEY 9903
VILLAGE OF HUNTSVILLE
McARTHUR TOWNSHIP
LOGAN COUNTY, OHIO

SURVEYED BY:
William K. Bruce
WILLIAM K. BRUCE
PROFESSIONAL SURVEYOR 7437
APRIL 18, 2011



COPYRIGHT 2011 BY:
LEE SURVEYING & MAPPING CO., INC.
117 North Madriver Street
BELLEFONTAINE, OHIO 43311
(937) 593-7335
surveys@lsminc.us
ADW D0311 51100311 L-5110-3

2 WORKING DAYS
BEFORE YOU DIG
CALL TOLL FREE **800-362-2764**
OHIO UTILITIES PROTECTION SERVICE

INDEXED ON MAP
3109 3P