

REC'D 4-22-97 gmy ok ✓



Lee Surveying and Mapping Co., Inc.



Farm Surveys • Lot Surveys • Topography • Subdivisions • Construction Layout

117 NORTH MADRIVER STREET
BELLEFONTAINE, OHIO 43311

(937) 593-7335
FAX (937) 593-7444

EUNICE PRATER 199.526 ACRES

Lying in Virginia Military Survey 9915, Bokescreek Township, Logan County, Ohio.

Being all of the Eunice Prater 200.0 acre tract as deeded and described in Volume 391, Page 923 of the Logan County Records of Deeds and being more particularly described as follows:

Beginning at a 1 inch square iron bar found at the southwest corner of Virginia Military Survey 9915 and at the intersection of center-lines of County Highway 142 (60 feet wide) and County Highway 20 (50 feet wide).

THENCE, with the westerly line of Virginia Military Survey 9915 and the center-line of County Highway 142, N 10°-00'-00" W, a distance of 3867.12 feet to a MAG nail set.

THENCE, with the southerly lines of the Ray Comstock, Jr. two 25.0 acre tracts (Vol. 279, Page 578, Third and First Tracts) and the Margaret Evans 25.0 acre tract (O.R. 134, Pg. 200, Tract III), N 79°-57'-29" E, a distance of 2228.55 feet to a 5/8 inch iron rod set, passing a 5/8 inch iron rod set at 30.00 feet.


THENCE, with the westerly lines of the Diana Wahl Eversole 84.32 acre and 49.38 acre tracts (Vol. 390, Pg. 931, Tr. II and I), S 10°-31'-21" E, a distance of 3871.76 feet to a railroad spike found, passing a 5/8 inch iron rod set at 3846.76 feet.

THENCE, with the southerly line of Virginia Military Survey 9915 and the center-line of County Highway 20, S 80°-04'-19" W, a distance of 2263.86 feet to the point of beginning.

Containing 199.526 acres of which 3.945 acres are within the highway right-of-way.

The basis for bearings is the westerly line of Virginia Military Survey 9915 being N 10°-00'-00" W, and all other bearings are from angles and distances measured in a field survey by Lee Surveying and Mapping Co., Inc. on April 16, 1997.

Description prepared by:


Jeffrey I. Lee
Professional Surveyor 6359
April 22, 1997

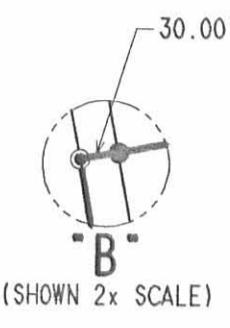
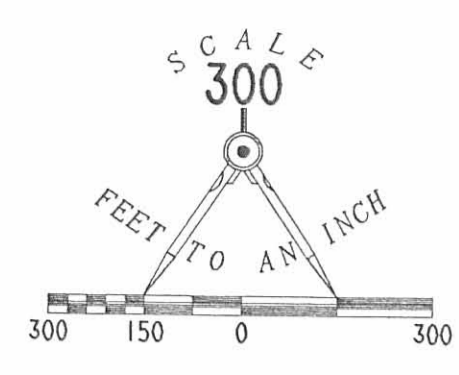


L 2520

ORIGINAL STAMP IN GREEN

INDEXED ON MAP
9126 1D

COUNTY HIGHWAY 48



25.0 AC.
THIRD TRACT

RAY COMSTOCK, JR.
25.0 AC.
VOL. 279, PG. 578
FIRST TRACT

MARGARET EVANS
25.0 AC.
O. R. 134, PG. 200
TRACT III

N 79° 57' 29\"/>

EUNICE PRATER
200.00 AC.
VOL. 391, PG. 923

84.32 AC.
TRACT II

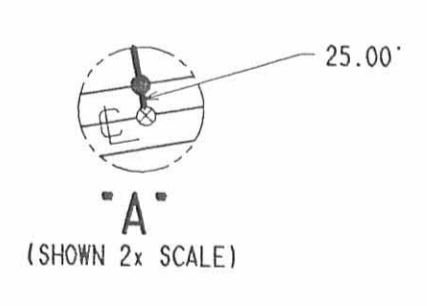
- LEGEND
- 5/8 IRON ROD SET
 - ⊙ MAG NAIL SET
 - 3/4 IRON BAR FOUND IN MONUMENT BOX
 - ⊙ 1" IRON BAR FOUND IN MONUMENT BOX
 - ⊕ 1" SQ. IRON BAR FOUND IN MONUMENT BOX
 - ⊗ RAILROAD SPIKE FOUND

RIGHT-OF-WAY
COLUMBIA GAS OF OHIO
2.663 AC.
O. R. 72, PG. 648

COUNTY HIGHWAY 142 (60')
N 10° 00' 00\"/>

199.526 ACRES
OF WHICH 3.945 ACRES IS
WITHIN HIGHWAY RIGHT-OF-WAY

DIANA WAHL EVERSOLE
49.38 AC.
VOL. 390, PG. 931
TRACT I



REFERENCES:
LOGAN COUNTY ENGINEER MAP ROOM FILES:
F. B. 702, PG. 76
F. B. 639, PG. 46
R-821
R-6575
LSM FILE: L-1602

V. M. S. 9914
V. M. S. 9915
P. O. B.

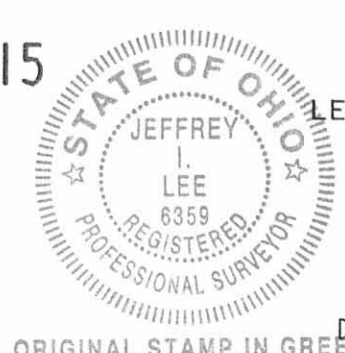
V. M. S. 9915
V. M. S. 9893
COUNTY HIGHWAY 20 (50')
N 80° 04' 19\"/>

LOGAN COUNTY
UNION COUNTY

RETRACEMENT SURVEY
OF THE
EUNICE PRATER 200.00 ACRE TRACT
(199.526 ACRES BY THIS SURVEY)
VOLUME 391, PAGE 923
VIRGINIA MILITARY SURVEY 9915
BOKESCREEK TOWNSHIP
LOGAN COUNTY, OHIO

SURVEYED BY:

JEFFREY I. LEE
PROFESSIONAL SURVEYOR 6359
APRIL 16, 1997



COPYRIGHT 1997 BY:
LEE SURVEYING & MAPPING CO., INC.
117 North Medriver Street
BELLEFONTAINE, OHIO 43311
(937) 593-7335

2 WORKING DAYS
BEFORE YOU DIG
CALL TOLL FREE 800-362-2764
OHIO UTILITIES PROTECTION SERVICE.

ORIGINAL STAMP IN GREEN D310 PRATER L-2520

INDEXED ON MAP
9126 1P