

Lee Surveying and Mapping Co., Inc.

Land Surveys • Topography • Subdivisions • Construction Layout

117 N. Madriver St.
Bellefontaine OH 43311



Phone: (937) 593-7335
Fax: (937) 593-7444

YELTON 6.338 ACRES

Lying in Section 35, Town 4, Range 14, City of Bellefontaine, Lake Township, Logan County, Ohio.

Being out of the Donna Jean Yelton original 15 and 13 acre tracts as deeded and described in Official Record 300, Page 704, Tracts I and II of the Logan County Records of Deeds and being more particularly described as follows:

Beginning at a stone found in a monument box on the northwest corner of Section 35, on the center-line of Township Road 56 (Troy Road) and on the west line of Lake Township.

THENCE, with the north line of Section 35, the south line of the Mark V. Drown 1.837 acre tract (O.R. 258, Pg. 283) and the south line of the Roberta J. Drown original 145.370 acre tract (O.R. 349, Pg. 94, Tract II), S 88°-16'-15" E, a distance of 749.71 feet to a point, passing a 5/8 inch iron rod found at 20.00 feet and a 5/8 inch iron rod set at 734.71 feet.

THENCE, with the center-line of Tuckers Run Creek, the following four (4) courses:

S 28°-33'-39" W, a distance of 364.96 feet to a point referenced by a 5/8 inch iron rod set N 58°-03'-22" W, a distance of 34.50 feet.

S 62°-04'-21" W, a distance of 104.79 feet to a point referenced by a 5/8 inch iron rod set N 8°-22'-26" W, a distance of 24.00 feet.

S 81°-50'-38" W, a distance of 249.90 feet to a point referenced by a 5/8 inch iron rod set N 19°-36'-35" W, a distance of 23.50 feet.

S 68°-45'-47" W, a distance of 276.77 feet to a MAG nail set.

THENCE, with the west line of Section 35 and Lake Township and the center-line of Township Road 56 (width varies), N 2°-30'-00" E, a distance of 528.46 feet to the point of beginning.

Containing 6.338 acres, of which 0.273 acre is within the highway right-of-way.

The basis for bearings is the west line of Section 35, being N 2°-30'-00" E, and all other bearings are from angles and distances measured in a field survey by Lee Surveying and Mapping Co., Inc. on April 11, 2003.

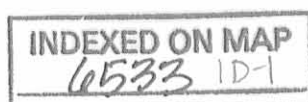
Description prepared by:

Jeffrey I. Lee
Professional Surveyor 6359
April 22, 2003



L-3557

ORIGINAL STAMP IN GREEN

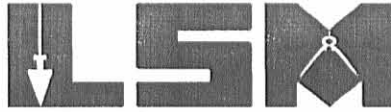


RECID 428-03 SUM OK

Lee Surveying and Mapping Co., Inc.

Land Surveys • Topography • Subdivisions • Construction Layout

117 N. Madriver St.
Bellefontaine OH 43311



Phone: (937) 593-7335
Fax: (937) 593-7444

YELTON 7.785 ACRES

Lying in Section 35, Town 4, Range 14, City of Bellefontaine, Lake Township, Logan County, Ohio.

Being out of the Donna Jean Yelton original 15 and 13 acre tracts as deeded and described in Official Record 300, Page 704, Tracts I and II of the Logan County Records of Deeds and being more particularly described as follows:

Beginning at a stone found in a monument box on the northwest corner of Section 35, on the center-line of Township Road 56 (Troy Road) and on the west line of Lake Township.

THENCE, with the west line of Section 35 and Lake Township and the center-line of Township Road 56 (width varies), S 2°-30'-00" W, a distance of 528.46 feet to a MAG nail set at the TRUE POINT OF BEGINNING.

THENCE, with the center-line of Tuckers Run Creek, the following four (4) courses:

N 68°-45'-47" E, a distance of 276.77 feet to a point, referenced by a 5/8 inch iron rod set N 19°-36'-35" W, a distance of 23.50 feet.

N 81°-50'-38" E, a distance of 249.90 feet to a point referenced by a 5/8 inch iron rod set N 8°-22'-26" W, a distance of 24.00 feet.

N 62°-04'-21" E, a distance of 104.79 feet to a point referenced by a 5/8 inch iron rod set N 58°-03'-22" W, a distance of 34.50 feet.

N 28°-33'-39" E, a distance of 364.96 feet to a point on the north line of Section 35, referenced by a 5/8 inch iron rod set N 88°-16'-15" W, a distance of 15.00 feet.

THENCE, with the north line of Section 35 and the south line of the Roberta J. Drown original 145.370 acre tract (O.R. 349, Pg. 94, Tract II), S 88°-16'-15" E, a distance of 152.78 feet to a 4 inch steel post found.

THENCE, with the lines of the Marsha E. Stover 13.82 acre tract (O.R. 51, Pg. 374), the following two (2) courses:

S 41°-40'-38" W, a distance of 467.33 feet to a 1 inch iron pipe found.

S 1°-17'-38" W, a distance of 559.63 feet to a 5/8 inch iron rod set on the north right-of-way of Charles Avenue (50 feet wide),

THENCE, N 88°-45'-49" W, a distance of 619.12 feet to a railroad spike found, passing a 5/8 inch iron rod set at 589.12 feet.

THENCE, with the west line of Section 35 and Lake Township and the center-line of Township Road 56, N 2°-30'-00" E, a distance of 394.83 feet to the point of beginning.

Containing 7.785 acres, of which 0.276 acre is within the highway right-of-way.

The basis for bearings is the west line of Section 35, being N 2°-30'-00" E, and all other bearings are from angles and distances measured in a field survey by Lee Surveying and Mapping Co., Inc. on April 11, 2003.

Description prepared by:

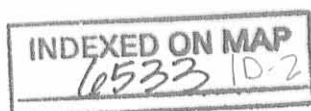
A handwritten signature in black ink, appearing to read 'Jeffrey I. Lee'.

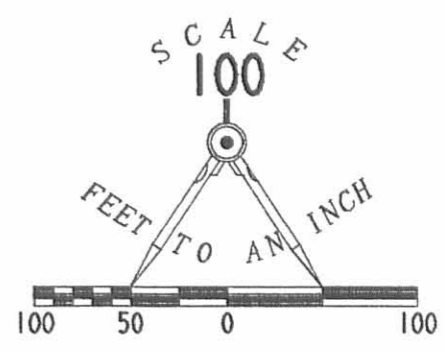
Jeffrey I. Lee
Professional Surveyor 6359
April 22, 2003



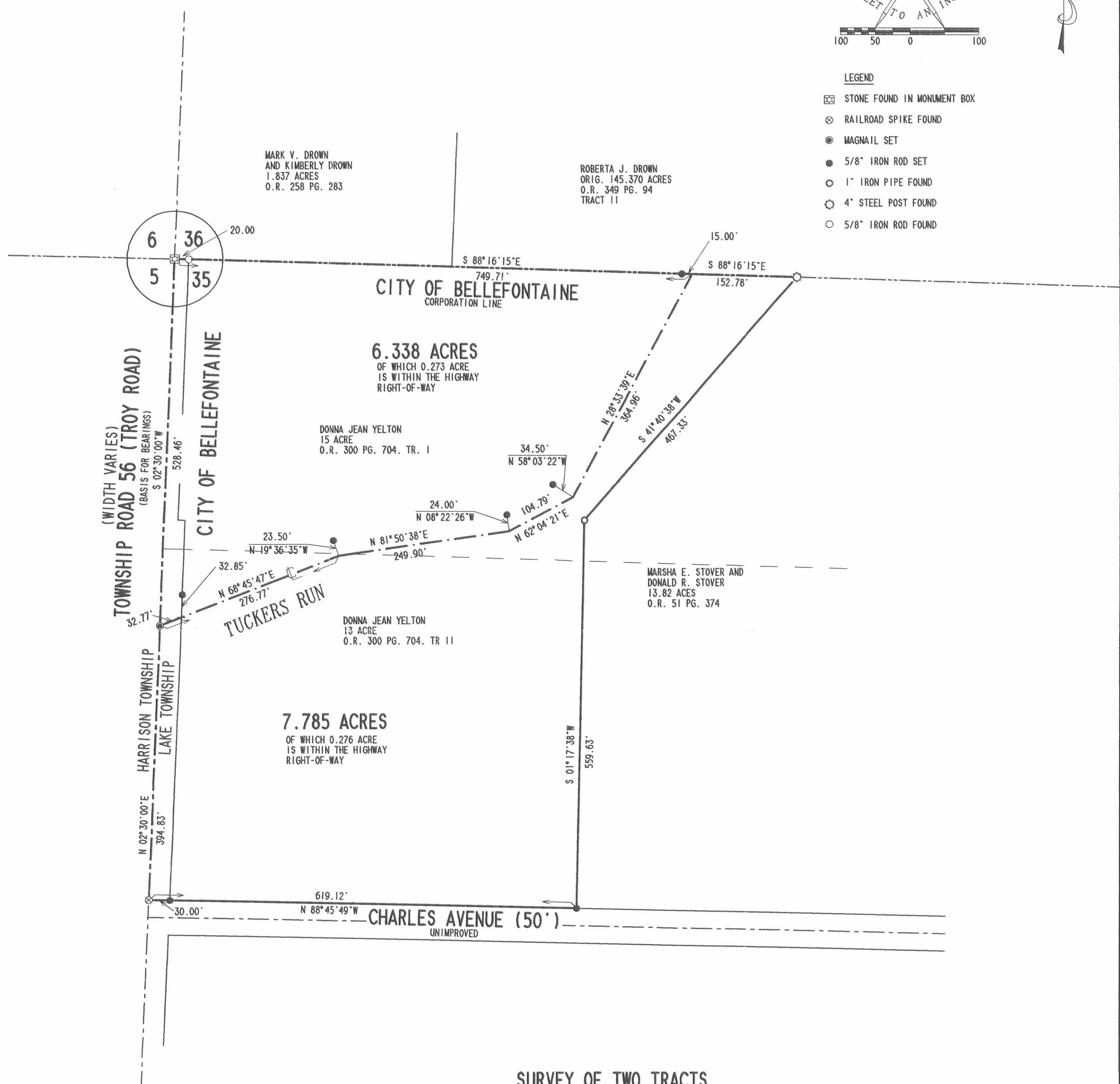
ORIGINAL STAMP IN GREEN

L-3557





- LEGEND**
- ☒ STONE FOUND IN MONUMENT BOX
 - ⊗ RAILROAD SPIKE FOUND
 - MAGNAIL SET
 - 5/8" IRON ROD SET
 - 1" IRON PIPE FOUND
 - ⊗ 4" STEEL POST FOUND
 - 5/8" IRON ROD FOUND



**SURVEY OF TWO TRACTS
OUT OF THE DONNA JEAN YELTON
ORIGINAL 15 AND 13 ACRE TRACTS
OFFICIAL RECORD 300. PAGE 704
TRACTS I AND II
SECTION 35. TOWN 4. RANGE 14
CITY OF BELLEFONTAINE
LAKE TOWNSHIP
LOGAN COUNTY, OHIO**

SURVEYED BY:

Jeffrey I. Lee
JEFFREY I. LEE
PROFESSIONAL SURVEYOR 6359
APRIL 11, 2003



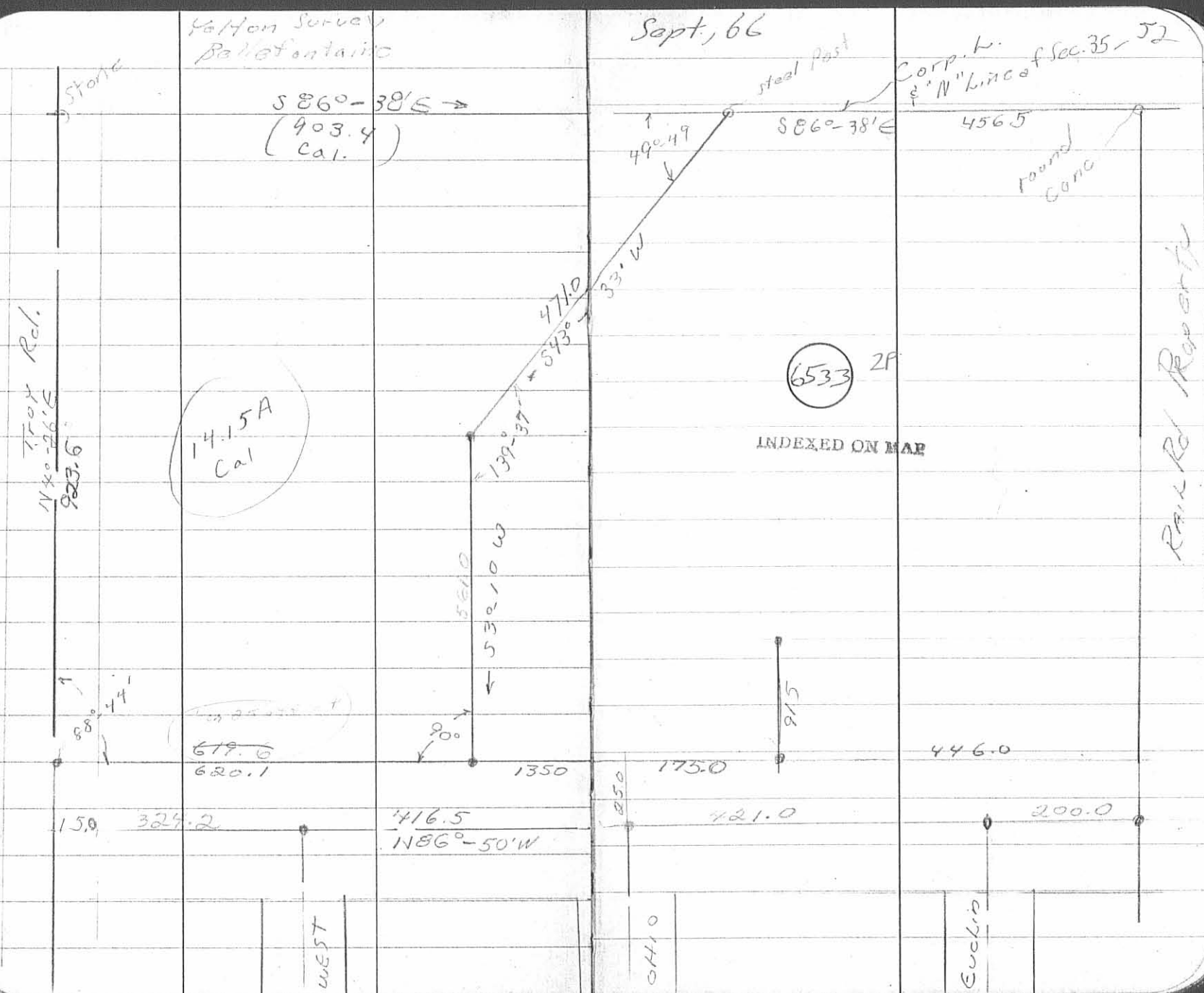
COPYRIGHT 2003 BY:
LEE SURVEYING & MAPPING CO., INC.
117 North Madriver Street
BELLEFONTAINE, OHIO 43311
(937) 593-7335

INDEXED ON MAP
4533 1P

ORIGINAL STAMP IN GREEN

L-3557 YELTON D 407

2 WORKING DAYS
BEFORE YOU DIG
CALL TOLL FREE **800-362-2764**
OHIO UTILITIES PROTECTION SERVICE.



Yellon Survey
Bellefontaine

Sept, 66

Corp. L.
8" N" Line of Sec. 35-52

Stone

S 86°-38'E
(903.4)
Cal.

steel post

6533 2P

round conc

Troy Rd.

N 40° 26' E
923.6

141.5A
Cal

INDEXED ON MAP

Rail Rd Report

88° 44'

619.6
620.1

561.0
532.10 W
1350

175.0
515

446.0

150 324.2

416.5
N 86°-50' W

250 421.0

200.0

WEST

0410

Euclid