

Lawrence Street Right-of-Way Survey

Situated in the State of Ohio, County of Logan and Township of Lake, City of Bellefontaine, being part of the Southwest quarter of Section 35, Town 4, Range 14 of the Between the Miami Rivers Survey and being a portion of the land acquired by the State of Ohio for their project LOG-47-11.36 as described in D. B. Vol. 329 Page 505 (76WD) & D. B. Vol. 319 Page 752 (77WD) and more particularly described as follows:

Beginning at a 5/8 inch iron bar set in the north right-of-way line of Garfield Avenue (60') at the southwest corner of lot 719 in Lawrence's 1st Addition on file in Plat Book A, Vol. 1, Page 11 in the Logan County Recorder's Office, said Lot 719 being a 0.196 acre tract referred to above as tract 76WD, and at the southeast corner of lot 718 belonging to Samuel W. Rees as described in D. B. Vol. 387, Page 684,

Thence with the common line of said Rees and State of Ohio, also being the line between lots 718 and 719, N.5°-48'-28"E. 6.61 feet to a 5/8 inch iron bar set,

Thence with a curve to the left having a radius of 25.00 feet a central angle of 49°-15'-14" an arc length of 21.49 feet, a chord bearing N.53°-48'-26"E. 20.84 feet to a 5/8 inch iron bar set,

Thence N.29°-10'-49"E. 75.37 feet to a 5/8 inch iron bar set on the common lot line of lot 719 and lot 720, said lot 720 being a 0.219 acre tract referred to above as tract 77WD,

Thence N.29°-10'-49"E. 13.66 feet to a 5/8 inch iron bar set,

Thence with a curve to the left having a radius of 379.26 feet, a central angle of 12°-20'-54", an arc length of 81.74 feet, a chord bearing N.23°-00'-22"E. 81.58 feet to a 5/8 inch iron bar set in the north line of said lot 720 and in the south line of a 16.5 foot alley,

Thence with the alley's south right-of-way line S.84°-38'-14"E. 15.07 feet to a point in the west right-of-way line of Lawrence Street (45') at the northeast corner of lot 720 and passing for reference a 5/8" iron bar set at 7.22 feet,

Thence with the west right-of-way line of Lawrence Street S.5°-21'-46"W. (this bearing is assumed and all other bearings and distances are as measured by this survey) 136.16 feet to a 5/8 inch iron bar set,

Thence S.29°-10'-49"W. 51.70 feet to a 5/8 inch iron bar set,

Thence on a curve to the left having a radius of 25.00 feet, a central angle of 89°-58'-54", an arc length of 39.26 feet, a chord bearing S.15°-48'-38"E. 35.35 feet to a 5/8 inch iron bar set in the north right-of-way line of Garfield Avenue, said iron bar being N.60°-48'-05"W. 8.87' from a 5/8 inch iron bar set at the southeast corner of lot 720,

Thence with the north right-of-way line of Garfield Avenue N.60°-48'-05"W. 91.05 feet to the place of beginning.

Containing 0.210 acres more or less of which 0.053 acres are a part of lot 719 (76WD) and 0.157 acres are a part of lot 720 (77 WD).

This description prepared by Timothy L. Notestine, P.E., P.S., #S-7815 from an actual field survey performed 11/14/97.

*Timothy L. Notestine*

TIMOTHY L. NOTESTINE, P.E., P.S.  
135 NORTH DETROIT STREET  
BELLEFONTAINE, OHIO 43311



INDEXED ON MAP  
6406 ID

# LAWRENCE STREET RIGHT OF WAY SURVEY

CITY OF BELLEFONTAINE, LAKE TOWNSHIP, LOGAN COUNTY, OHIO  
SECTION 35, TOWN 4, RANGE 14 B.M.R.S.

LOT No's. 718-721  
LAWRENCE'S 1st ADDITION  
FLAT BOOK A, VOL. 1, PAGE 13

77  
WD  
LOT #720  
0.219 Ac.  
D.B. VOL. 319  
PAGE 752

LOT #718  
SAMUEL W REES  
D.B. VOL. 387, PAGE 684

76  
WD  
LOT #719  
0.196 Ac.  
D.B. VOL. 329  
PAGE 505

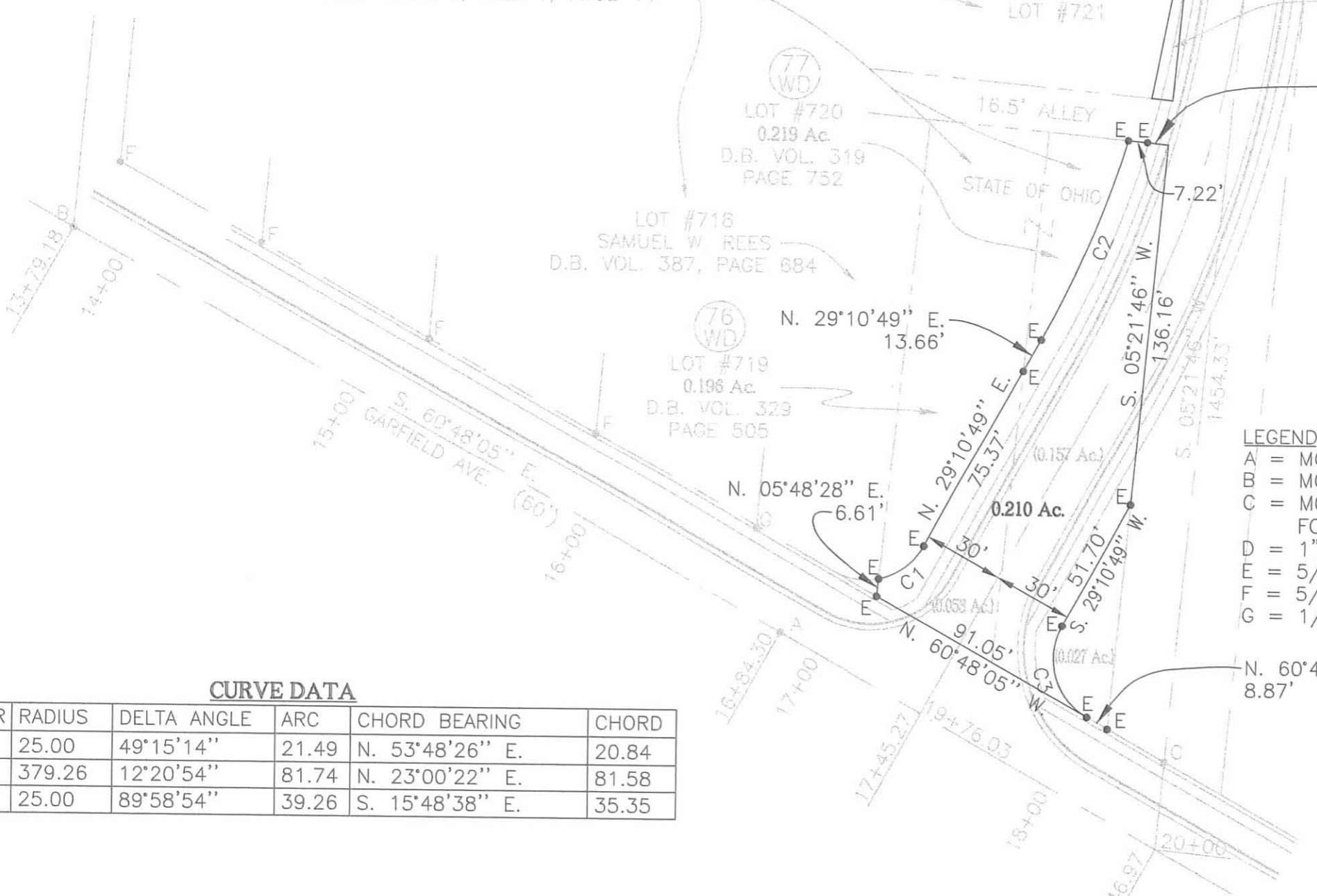
78  
0.007 Ac.  
D.B. VOL. 320  
PAGE 537

S. 84°38'14" E.  
15.07'

W. WILLIAMS AVE. INT. © W. WILLIAMS

16.5' ALLEY

STATE OF OHIO



SCALE: 1" = 50'

**LEGEND**

- A = MONUMENT BOX WITH 3/4" IRON BAR FOUND
- B = MONUMENT BOX WITH STONE FOUND
- C = MONUMENT BOX WITH CONCRETE MONUMENT FOUND
- D = 1" BOLT FOUND
- E = 5/8" IRON BAR SET
- F = 5/8" IRON BAR FOUND
- G = 1/2" IRON PIPE FOUND

**CURVE DATA**

NUMBER	RADIUS	DELTA ANGLE	ARC	CHORD BEARING	CHORD
C1	25.00	49°15'14"	21.49	N. 53°48'26" E.	20.84
C2	379.26	12°20'54"	81.74	N. 23°00'22" E.	81.58
C3	25.00	89°58'54"	39.26	S. 15°48'38" E.	35.35



*Timothy L. Notestine*  
TIMOTHY L. NOTESTINE P.E., P.S. #7815  
135 N. DETROIT ST.  
BELLEFONTAINE, OHIO 43311  
SURVEY DATE: 11-14-97

INDEXED ON MAP  
6406 IP



10-13-14

APPROVED

**REMAINING SOUTHEAST PORTION OF PARCEL 77-WD (LOT #720) DESCRIPTION**

Situated in the State of Ohio, County of Logan, Township of Lake and City of Bellefontaine, being part of the Southwest quarter of section 35 Town 4, Range 14 of the Between the Miami Rivers Survey and being a portion of the land acquired by the State of Ohio for their project LOG-47-11.36 as described in D.B. Vol. 319 Page 752 as Parcel 77-WD (Lot 720 of Lawrence's 1<sup>st</sup> Addition, Plat Cabinet A, Slide 9) and more particularly described as follows:

Beginning at a 5/8 inch iron bar found at the southeast corner of lot #720 being a 0.217 tract referred to above as Parcel 77-WD and at the northwest right of way corner of the vacated Lawrence Street (45') and Garfield Avenue (60') right of way. (Lawrence St. vacated by City Ordinance #99-119 O.R. 1158, Page 479)

Thence with the north right of way line of Garfield Avenue and south line of said lot and parcel N. 60°-48'-05" W. 8.87 feet to a 5/8 inch iron bar found at the beginning of the current east right of way line of Lawrence Street (60'),

Thence along the east right of way of Lawrence Street (60') with a 25.00' radius curve to the right having a central angle of 89°-58'-54" an arc length of 39.26' and a chord bearing and length of N. 15°-48'-38" W. 35.35 feet to a 5/8" iron bar found,

Thence continuing with said right of way N. 29°-10'-49" E. 51.70 feet to a 5/8" iron bar found in the east line of said lot and parcel and in the west line of the vacated Lawrence Street right of way (45'),

Thence with the east line of said lot and parcel and west line of said vacated right of way S. 5°-21'-46" W. (this bearing is assumed and all other bearings are as were observed by this survey) 83.84 feet to the place of beginning,

Containing 0.027 acres more or less and being the portion of parcel 77-WD that is east of the existing Lawrence Street right of way.

This description prepared by Timothy L. Notestine, P.E., P.S. #S-7815 in August 2014 from an actual field survey performed 11/14/97.



Timothy L. Notestine, P.E., P.S.  
135 North Detroit Street  
Bellefontaine, OH 43311

INDEXED ON MAP  
64063D-1

10-13-14

 APPROVED

STATE OF OHIO PORTION OF VACATED LAWRENCE STREET RIGHT OF WAY (45')

Situated in the State of Ohio, County of Logan, Township of Lake and City of Bellefontaine, and being part of the southwest quarter of Section 35, Town 4, Range 14 of the Between Miami Rivers Survey and being a portion of the former Lawrence Street right of way (45') vacated by the City of Bellefontaine, Ohio by its Ordinance #99-119 dated 11/23/99 and recorded in O.R. 1158, Page 479 and more particularly described as follows:

Beginning at a concrete monument found in a monument box in the north line of Garfield Avenue (60') at the centerline of the portion of Lawrence Street vacated in the aforementioned ordinance,

Thence along the north right of way line of Garfield Avenue N. 60°-48'-05" W. 24.60 feet to a 5/8" iron bar found at the southeast corner of lot 720 of Lawrence's 1<sup>st</sup> Addition on file in Plat Cabinet A, Slide 9 in the Logan County Recorder's Office,

Thence with the east line of said lot 720 and vacated Lawrence Street west line N. 05°-21'-46" E. (this bearing is assumed and all other bearings are as were observed by this survey) 83.84 feet to a 5/8" iron bar found in the current east right of way of Lawrence Street (60'),

Thence along the Lawrence Street east right of way N. 29°-10'-49" E. 37.37 feet to a 5/8" iron bar found,

Thence continuing along the Lawrence Street east right of way on a 439.26 foot radius curve to the left having a central angle of 0°-17'-52", arc length of 2.28 feet and a chord bearing and length of N. 29°-01'-53" E. 2.28 feet to a 5/8" iron bar found in the south right of way line of a 16.5 foot east-west alley,

Thence along the south line of said alley S. 84°-38'-14" E. 6.50 feet to a 5/8" iron bar set in the center line of the vacated Lawrence Street right of way,

Thence along said vacated center line S. 5°-21'-46" W. 130.06 feet to the place of beginning.

Containing 0.058 acres more or less and being the western portion of the vacated Lawrence Street right of way adjacent to lot 720 and east of the existing Lawrence Street right of way and south of the east-west alley.

This description prepared by Timothy L. Notestine, P.E., P.S. #S-7815 in August 2014 from an actual field survey performed 11/14/97.



Timothy L. Notestine, P.E., P.S.  
135 North Detroit Street  
Bellefontaine, OH 43311

INDEXED ON MAP  
4406 3D-2

10-13-14



APPROVED

COMBINED REMAINING PORTIONS OF PARCEL 76-WD (LOT 719)  
AND 77-WD (LOT 720) DESCRIPTION

Situated in the State of Ohio, County of Logan, Township of Lake and City of Bellefontaine, being part of the Southwest quarter of Section 35, Town 4, Range 14 of the Between the Miami Rivers Survey and being a portion of the land acquired by the State of Ohio for their project LOG-47-11.36 as described in D.B. Vol. 319 Page 752 as Parcel 77-WD (Lot 720) and D.B. Vol. 329 Page 505 as Parcel 76-WD (Lot 719) said Lots being part of Lawrence's 1<sup>st</sup> Addition (Plat Cabinet A, Slide 9) and more particularly described as follows:

Beginning at a 5/8" iron bar found in the current west right of way of Lawrence Street (60') in the south line of a 16.5 feet wide east-west alley and in the north line of Parcel 77-WD (Lot 720) being a 0.217 acre tract,

Thence along said west right of way of Lawrence Street on a 379.26 feet radius curve to the right having a central angle of 12°-20'-54", an arc length of 81.74 feet and a chord bearing S. 23°-00'-22" W. 81.58 feet to a 5/8" iron bar found,

Continuing with said west right of way S. 29°-10'-49" W. 89.03 feet to a 5/8" iron bar found and passing a 5/8" iron bar found at the common line of Parcel 77-WD and 76-WD (Lot 719) being a 0.196 acre tract at 13.66 feet,

Continuing with said west right of way on a 25.00' radius curve to the right having a central angle of 49°-15'-14", an arc length of 21.49 feet and a chord bearing S. 53°-48'-26" W. 20.84 feet to a 5/8" iron bar found in the west line of Parcel 76-WD and east line of Lot 718 in the name of Samuel W. Rees and as recorded in D.B. Vol. 387, Page 684,

Thence with said common lot line N. 5°-48'-28" E. 173.02 feet to a 5/8" iron bar set in the south line of said alley at the common corner of lots 718 and 719,

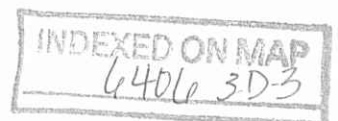
Thence with the south line of said 16.5' wide alley and the north lines of lots 719 and 720 S. 84°-38'-14" E. (this bearing is assumed and all other bearings are as were observed by this survey) 74.93 feet to the place of beginning and passing the common lot corner of lot 719 and 720 at 45.00 feet.

Containing 0.180 acres more or less with 0.035 acres being a part of Parcel 77-WD (Lot 720) and the remaining 0.145 acres being a part of Parcel 76-WD (Lot 719),

This description prepared by Timothy L. Notestine, P.E., P.S. #S-7815 in August 2014 from an actual field survey performed 11/14/97.



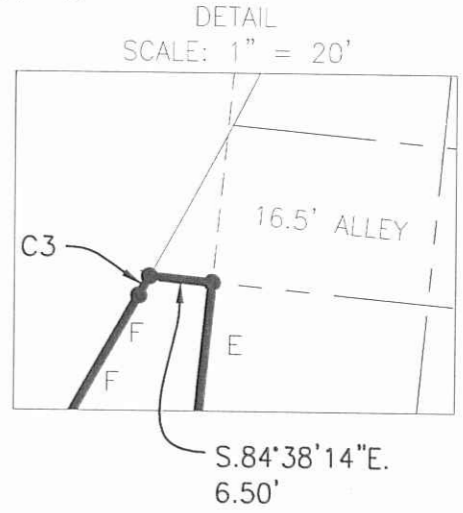
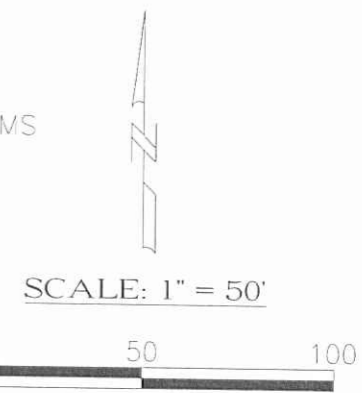
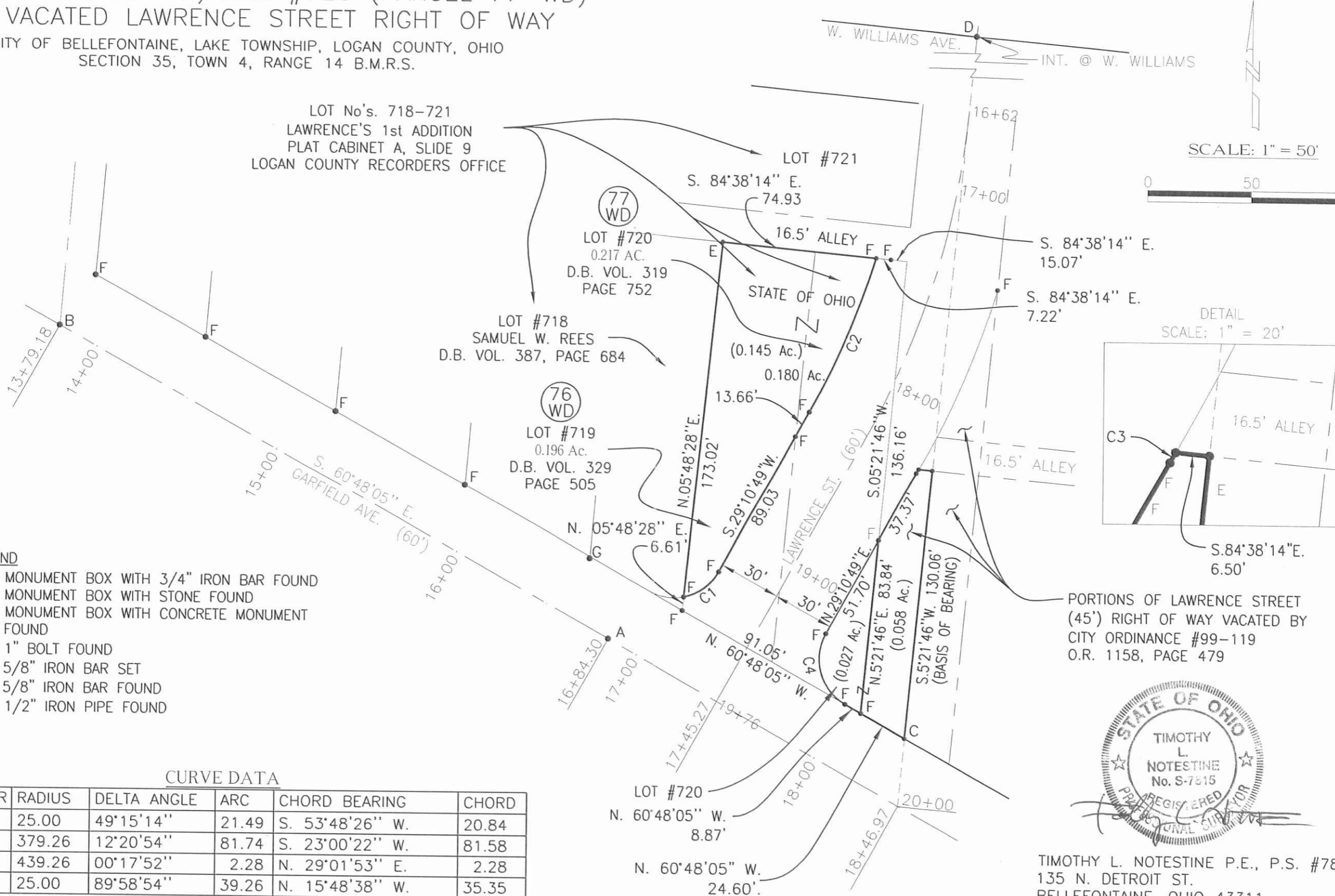
Timothy L. Notestine, P.E., P.S.  
135 North Detroit Street  
Bellefontaine, Ohio 43311



# SURVEY OF REMAINING PORTIONS OF LOTS #719 (PARCEL 76-WD) AND #720 (PARCEL 77-WD) AND VACATED LAWRENCE STREET RIGHT OF WAY

CITY OF BELLEFONTAINE, LAKE TOWNSHIP, LOGAN COUNTY, OHIO  
 SECTION 35, TOWN 4, RANGE 14 B.M.R.S.

LOT No's. 718-721  
 LAWRENCE'S 1st ADDITION  
 PLAT CABINET A, SLIDE 9  
 LOGAN COUNTY RECORDERS OFFICE



- LEGEND**
- A = MONUMENT BOX WITH 3/4" IRON BAR FOUND
  - B = MONUMENT BOX WITH STONE FOUND
  - C = MONUMENT BOX WITH CONCRETE MONUMENT FOUND
  - D = 1" BOLT FOUND
  - E = 5/8" IRON BAR SET
  - F = 5/8" IRON BAR FOUND
  - G = 1/2" IRON PIPE FOUND

CURVE DATA

NUMBER	RADIUS	DELTA ANGLE	ARC	CHORD BEARING	CHORD
C1	25.00	49°15'14"	21.49	S. 53°48'26" W.	20.84
C2	379.26	12°20'54"	81.74	S. 23°00'22" W.	81.58
C3	439.26	00°17'52"	2.28	N. 29°01'53" E.	2.28
C4	25.00	89°58'54"	39.26	N. 15°48'38" W.	35.35



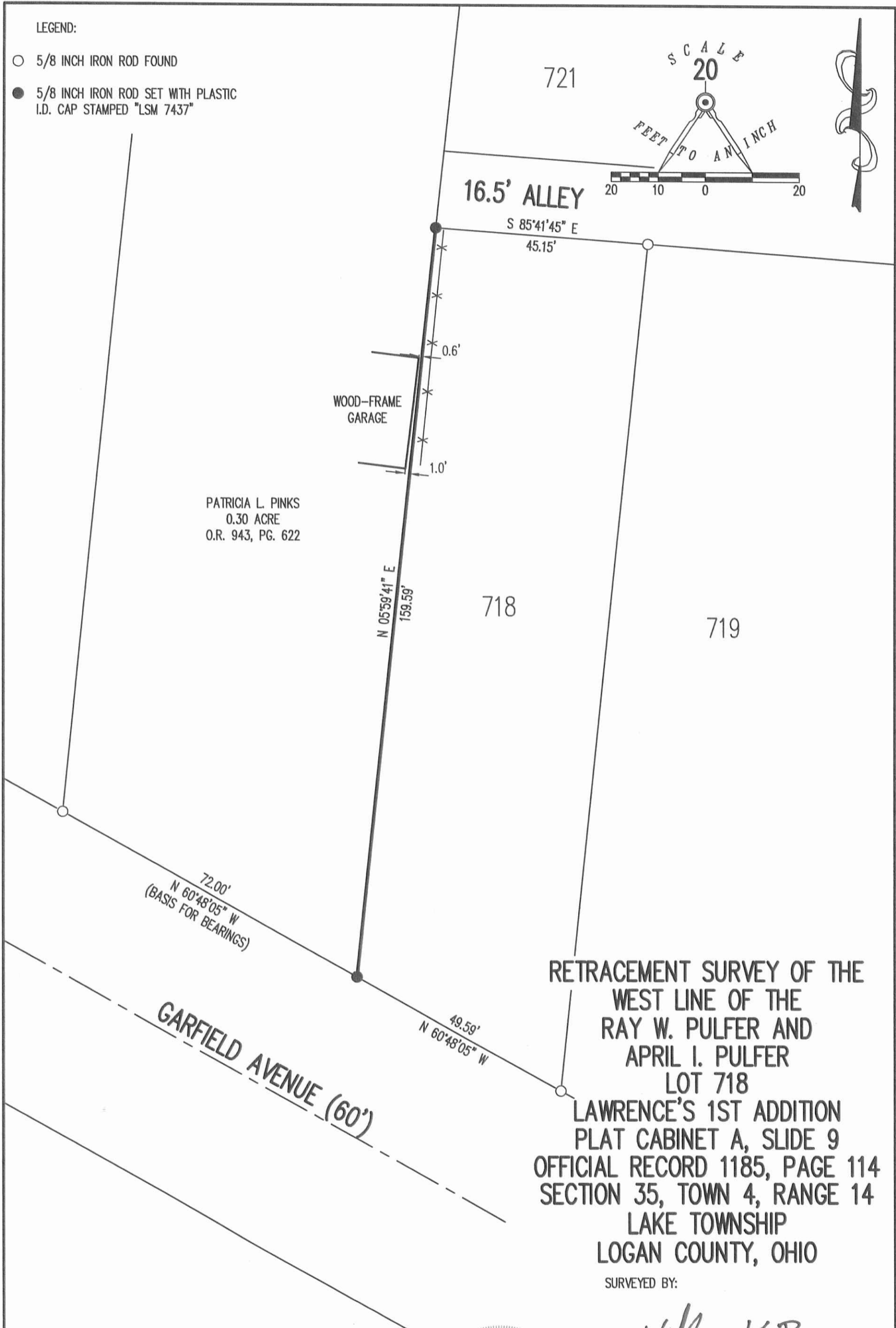
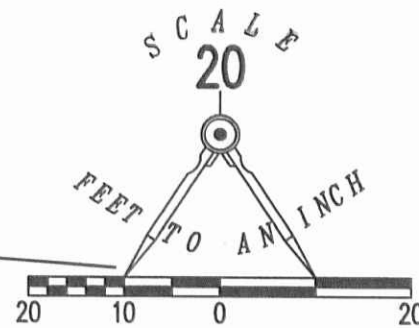
TIMOTHY L. NOTESTINE P.E., P.S. #7815  
 135 N. DETROIT ST.  
 BELLEFONTAINE, OHIO 43311  
 SURVEY DATE: 11-14-97

INDEXED ON MAP  
 64063P

APPROVED 7-31-15

LEGEND:

- 5/8 INCH IRON ROD FOUND
- 5/8 INCH IRON ROD SET WITH PLASTIC I.D. CAP STAMPED "LSM 7437"



RETRACEMENT SURVEY OF THE WEST LINE OF THE RAY W. PULFER AND APRIL I. PULFER LOT 718 LAWRENCE'S 1ST ADDITION PLAT CABINET A, SLIDE 9 OFFICIAL RECORD 1185, PAGE 114 SECTION 35, TOWN 4, RANGE 14 LAKE TOWNSHIP LOGAN COUNTY, OHIO

SURVEYED BY:

*William K. Bruce*

WILLIAM K. BRUCE  
PROFESSIONAL SURVEYOR 7437  
JULY 24, 2015

COPYRIGHT 2015 BY:  
LEE SURVEYING & MAPPING CO., INC.  
117 North Madriver Street  
BELLEFONTAINE, OHIO 43311  
(937) 593-7335  
WWW.LSMINC.US  
surveys@lsminc.us



2 WORKING DAYS  
**BEFORE YOU DIG**  
CALL TOLL FREE **800-362-2764**  
OHIO UTILITIES PROTECTION SERVICE.

INDEXED ON MAP  
6406 AP