

16.5' ALLEY (8' Asph. Pav't.)

55.00

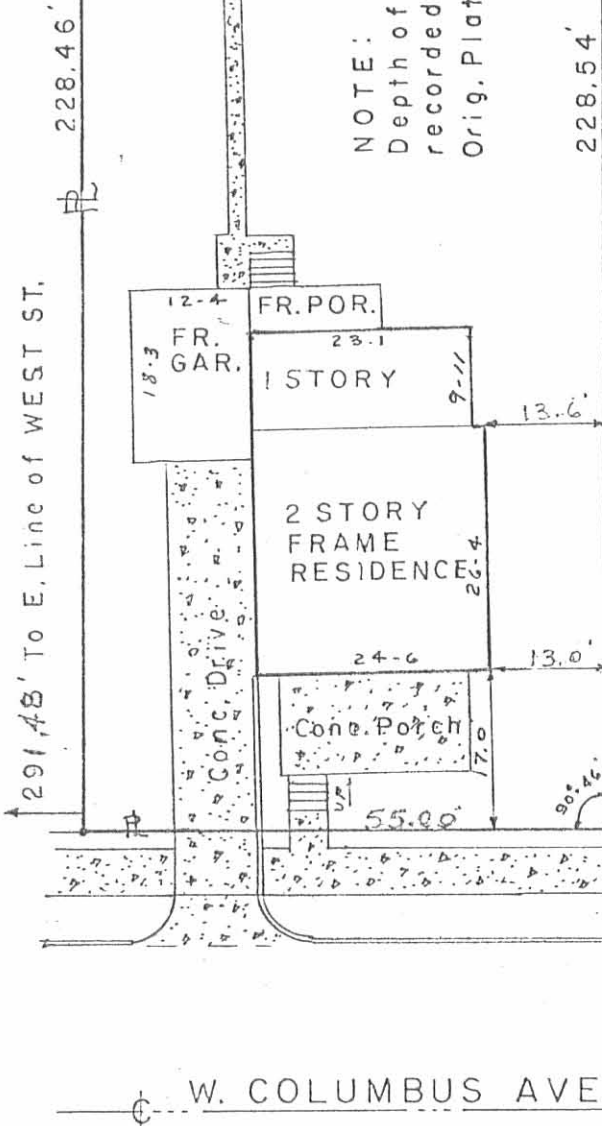
PROPERTY SURVEY
CITY LOT NO. 390
700 W. COLUMBUS AVE.
BELLEFONTAINE, OHIO
LAKE TWP., LOGAN CO.

NOTE:
Depth of this lot is incorrectly
recorded as being 220 feet,
Orig. Plat shows 228'.

I hereby certify that the foregoing
plat was prepared from an actual
survey of the premises and that same
shows the location of the boundaries
and all improvements thereon; that
the dimensions of the improvements,
and the locations thereof with re-
spect to the boundaries are correct
as shown; that there are no encroach-
ments from nor upon subject premises.

Clayton M. Lee

Clayton M. Lee
Registered Surveyor No. 6181
9-7-76



6938 IP

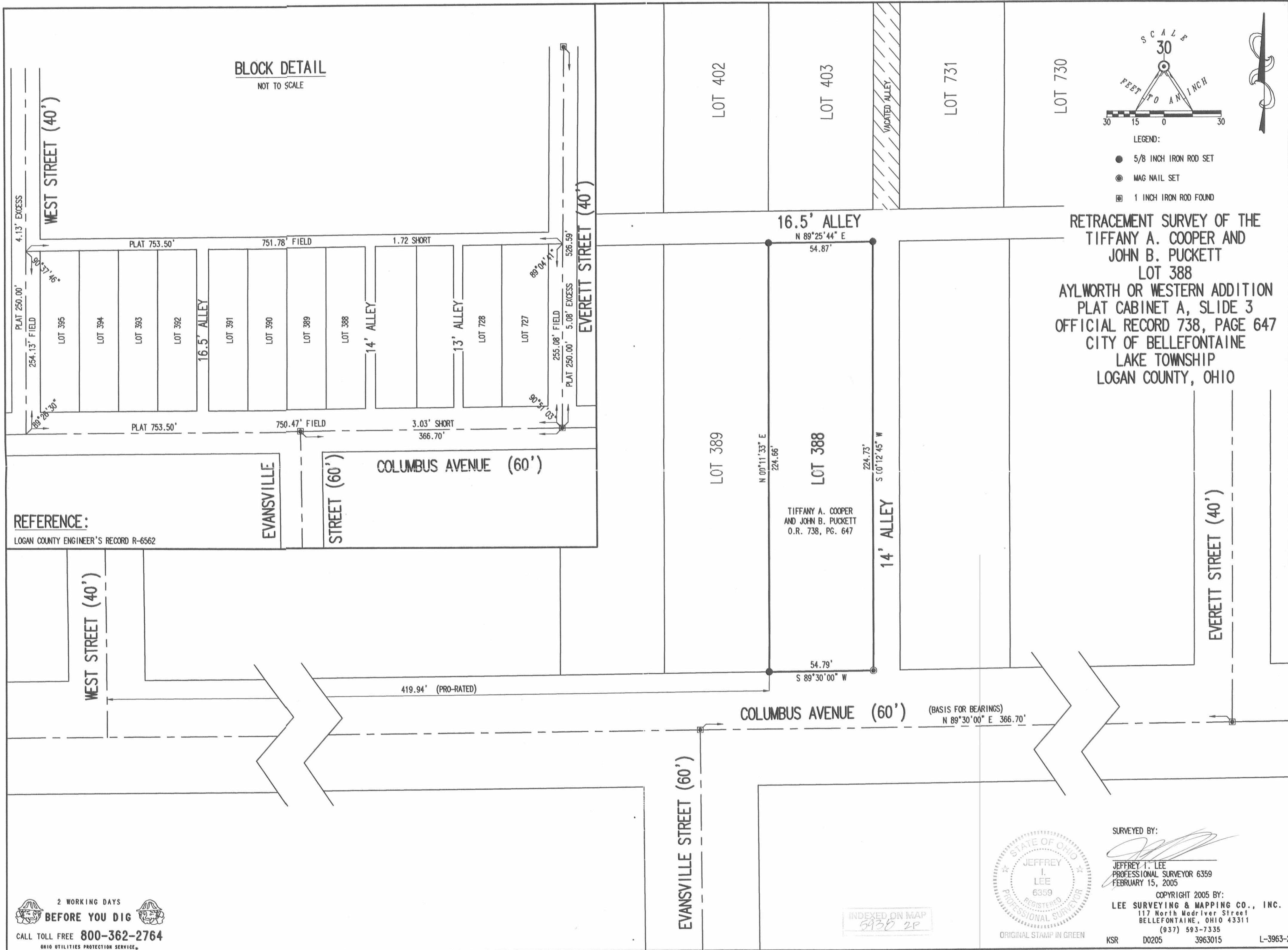
INDEXED ON MAP

NORTH

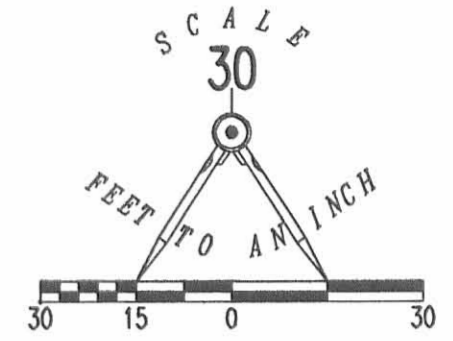


SCALE ~ 1" = 20'

RD 2-18-05 JLB o/c



BLOCK DETAIL
NOT TO SCALE



- LEGEND:
- 5/8 INCH IRON ROD SET
 - ⊙ MAG NAIL SET
 - ⊠ 1 INCH IRON ROD FOUND

RETRACEMENT SURVEY OF THE
 TIFFANY A. COOPER AND
 JOHN B. PUCKETT
 LOT 388
 AYLWORTH OR WESTERN ADDITION
 PLAT CABINET A, SLIDE 3
 OFFICIAL RECORD 738, PAGE 647
 CITY OF BELLEFONTAINE
 LAKE TOWNSHIP
 LOGAN COUNTY, OHIO

REFERENCE:
 LOGAN COUNTY ENGINEER'S RECORD R-6562

TIFFANY A. COOPER
 AND JOHN B. PUCKETT
 O.R. 738, PG. 647

2 WORKING DAYS
BEFORE YOU DIG
 CALL TOLL FREE 800-362-2764
 OHIO UTILITIES PROTECTION SERVICE.



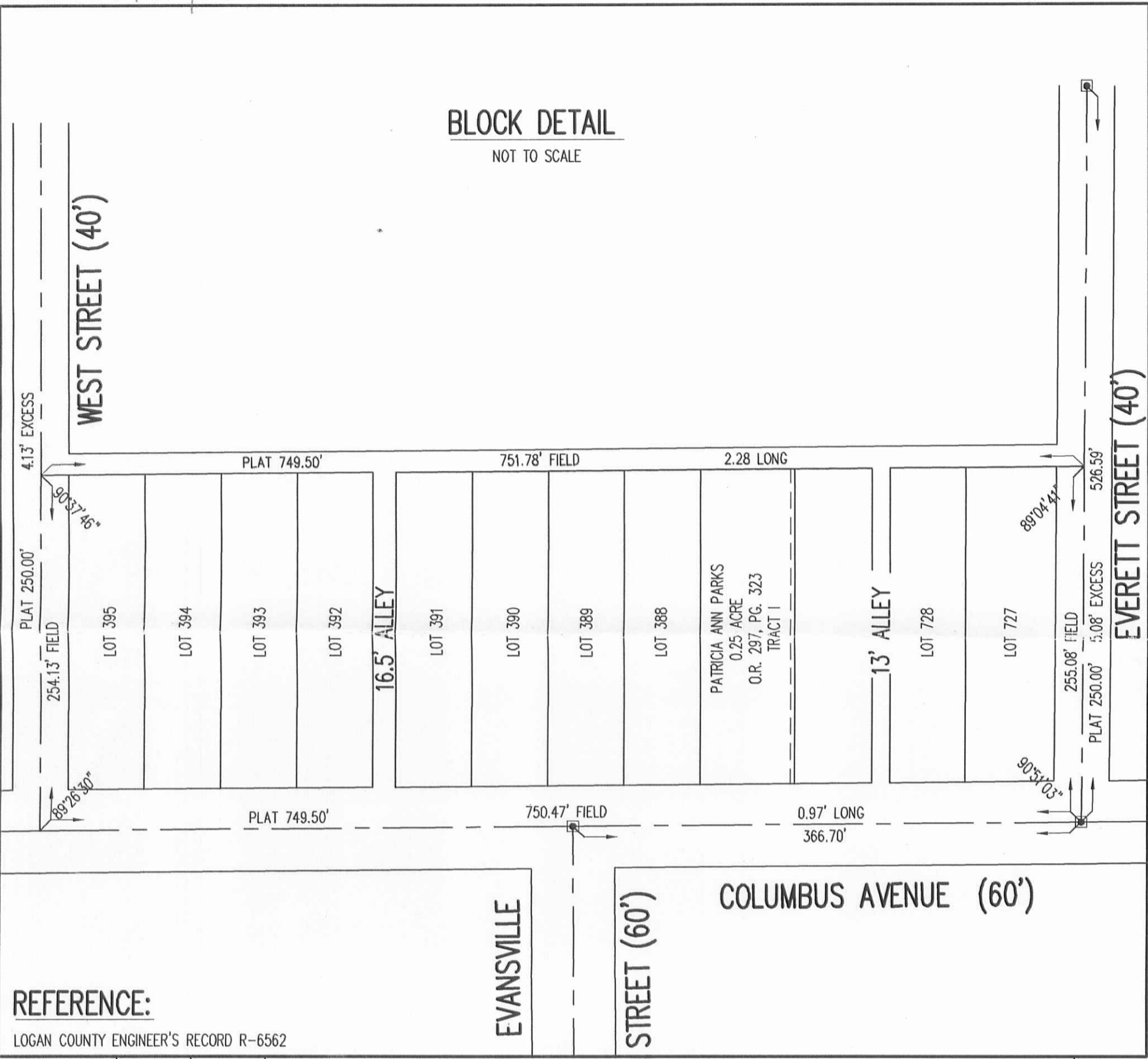
SURVEYED BY:
 JEFFREY I. LEE
 PROFESSIONAL SURVEYOR 6359
 FEBRUARY 15, 2005
 COPYRIGHT 2005 BY:
 LEE SURVEYING & MAPPING CO., INC.
 117 North Madriver Street
 BELLEFONTAINE, OHIO 43311
 (937) 593-7335
 KSR D0205 3963015 L-3963-2

INDEXED ON MAP
 5938 2P

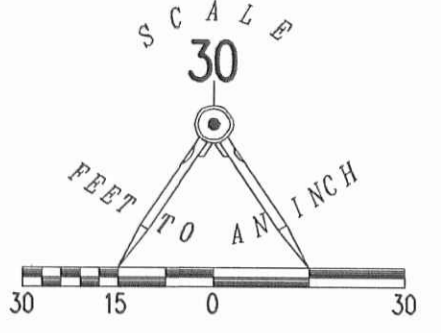
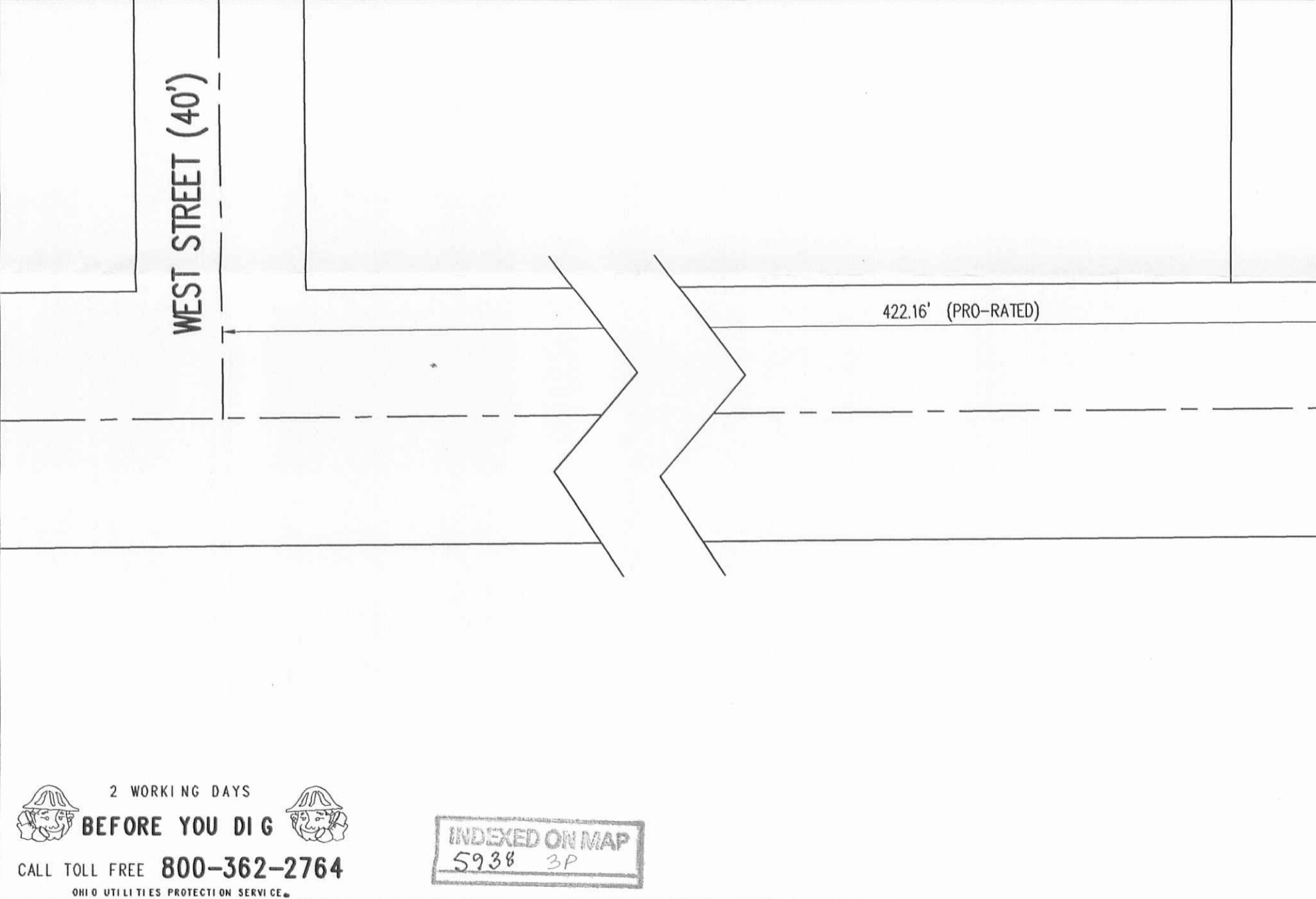
ORIGINAL STAMP IN GREEN

REC'D 7-8-09 SM OK

BLOCK DETAIL
NOT TO SCALE



REFERENCE:
LOGAN COUNTY ENGINEER'S RECORD R-6562



- LEGEND:
- 5/8 INCH IRON ROD SET
 - ⊙ MAG NAIL SET
 - 1 INCH IRON ROD FOUND

RETRACEMENT SURVEY OF THE
TIFFANY A. COOPER AND
JOHN B. PUCKETT
LOT 388
AYLWORTH OR WESTERN ADDITION
PLAT CABINET A, SLIDE 3
OFFICIAL RECORD 738, PAGE 647
CITY OF BELLEFONTAINE
LAKE TOWNSHIP
LOGAN COUNTY, OHIO

RAMBO ADDITION
PLAT CABINET A, SLIDE 11
LOT 727



SURVEYED BY:
William K. Bruce
WILLIAM K. BRUCE
PROFESSIONAL SURVEYOR 7437
FEBRUARY 15, 2005
REVISED JUNE 29, 2009

COPYRIGHT 2005 BY:
LEE SURVEYING & MAPPING CO., INC.
117 North Madriver Street
BELLEFONTAINE, OHIO 43311
(937) 593-7335

2 WORKING DAYS
BEFORE YOU DIG
CALL TOLL FREE **800-362-2764**
OHIO UTILITIES PROTECTION SERVICE

INDEXED ON MAP
5938 3P

ORIGINAL STAMP IN GREEN

KSR D0105 3963015REV L-3963-2

3-13-14

Lee Surveying and Mapping Co., Inc.



Land Surveys • Topography • Subdivisions • Construction Layout

117 N. Madriver St.
Bellefontaine OH 43311



Phone: (937) 593-7335
Fax: (937) 593-7444
surveys@lsminc.us

PARKS 0.356 ACRE

Lying in Section 35, Town 4, Range 14, Lake Township, City of Bellefontaine, Logan County, Ohio.

Being all of the Patricia Ann Parks 0.25 acre tract and 3 feet strip as deeded and described in Official Record 297, Page 323, Tract I of the Logan County Records of Deeds and being more particularly described as follow:

Commencing at a MAG nail found at the southeast corner of lot 388 of Aylworth or Western Addition (Plat Cabinet A, Slide 3) on the north right-of-way of Columbus Avenue (60 feet wide).

THENCE, with the east line of said lot 388, N 00°-17'-21"E, a distance of 224.73 feet to a 5/8 inch iron rod found.

THENCE, with the south right-of-way of a 16.5 feet wide alley, N 89°-25'-43"E, a distance of 66.47 feet to a 5/8 inch iron rod set.

THENCE, with the west line of the Jamer J. Monteith and Michelle J. Monteith 0.240 acre tract (O.R. 475, Pg. 133, Parcel Three), S 00°-57'-27"E, a distance of 224.80 feet to a MAG nail set.

THENCE, with the north right-of-way of Columbus Avenue, S 89°-30'-00"W, a distance of 71.36 feet to the point of beginning.

Containing 0.356 acre.

Property is subject to any and all previous easements and rights-of-way of record.

The basis for bearings is the north right-of-way of Columbus Avenue, being S 89°-30'-00"W, and all other bearings are from angles and distances measured in a field survey by Lee Surveying and Mapping Co., Inc. on March 7, 2014.

Description prepared by:

William K. Bruce

William K. Bruce
Professional Surveyor 7437
March 7, 2014

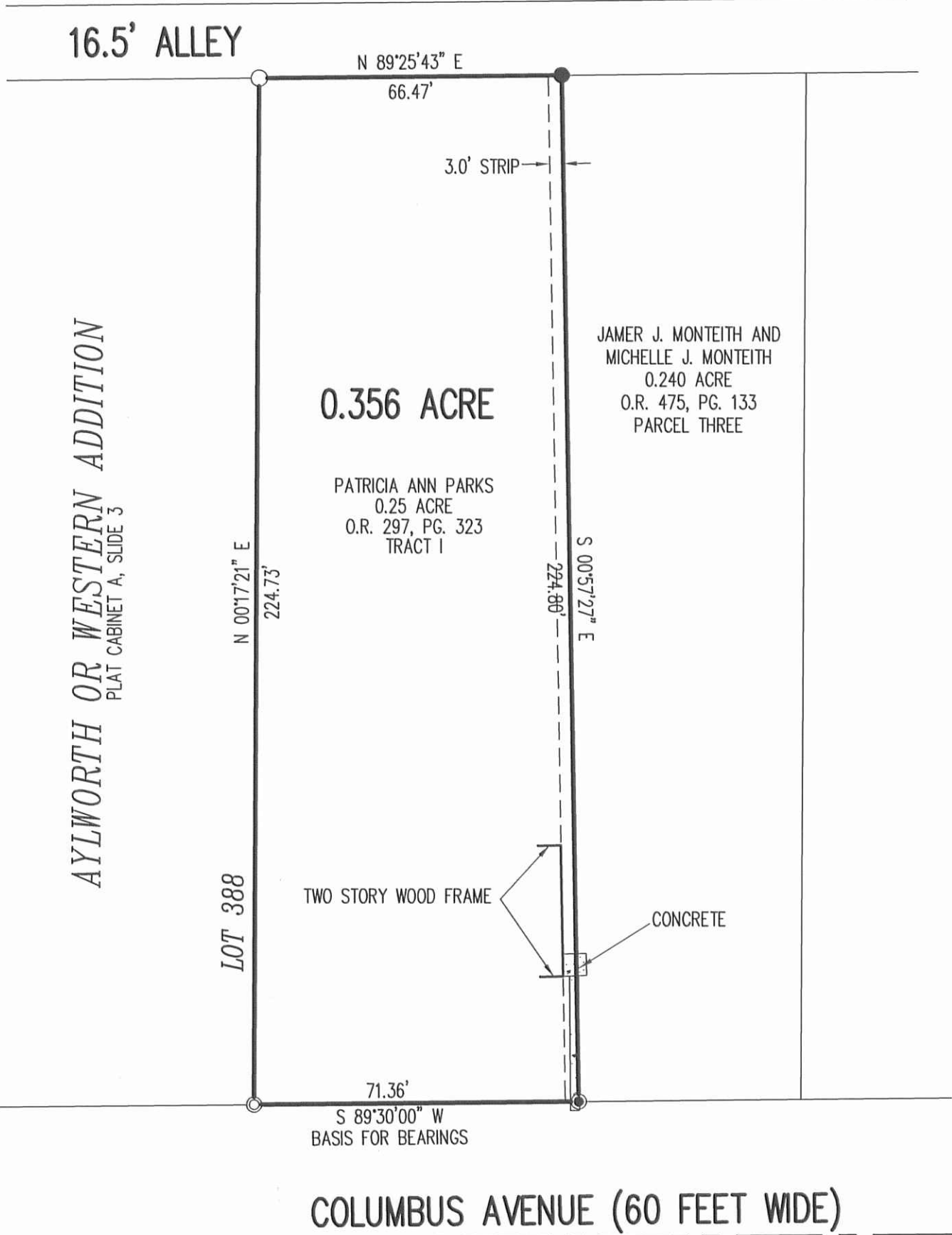
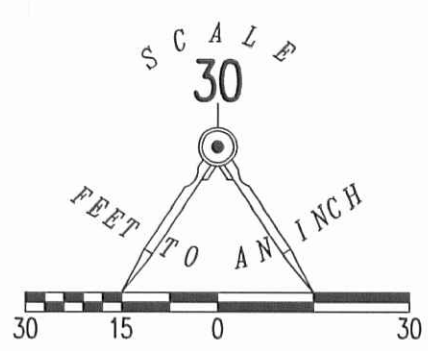


L-39630314



LEGEND

- 5/8 INCH IRON ROD SET WITH PLASTIC I.D. CAP STAMPED "LSM7437)
- 5/8 INCH IRON ROD FOUND
- ◎ MAG NAIL FOUND
- ⊙ MAG NAIL SET



RETRACEMENT SURVEY OF
 PATRICIA ANN PARKS
 0.25 ACRE AND 3 FEET STRIP
 OFFICIAL RECORD 297, PAGE 323
 TRACT I
 SECTION 35, TOWN 4, RANGE 14
 CITY OF BELLEFONTAINE
 LAKE TOWNSHIP
 LOGAN COUNTY, OHIO

SURVEYED BY:

William K. Bruce
 WILLIAM K. BRUCE
 PROFESSIONAL SURVEYOR 7437
 MARCH 7, 2014



COPYRIGHT 2014 BY:
LEE SURVEYING & MAPPING CO., INC.
 117 North Madriver Street
 BELLEFONTAINE, OHIO 43311
 (937) 593-7335
 WWW.LSMINC.US
 surveys@lsminc.us

2 WORKING DAYS
BEFORE YOU DIG
 CALL TOLL FREE **800-362-2764**
 OHIO UTILITIES PROTECTION SERVICE

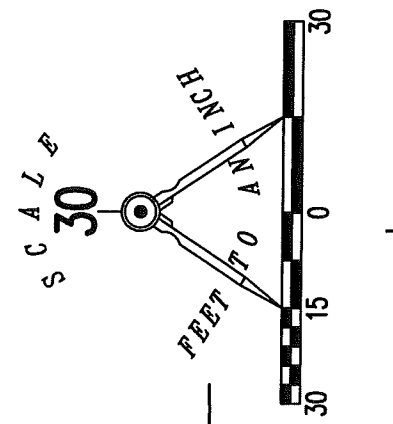
INDEXED ON MAP
 5938 4P

ORIGINAL STAMP IN GREEN

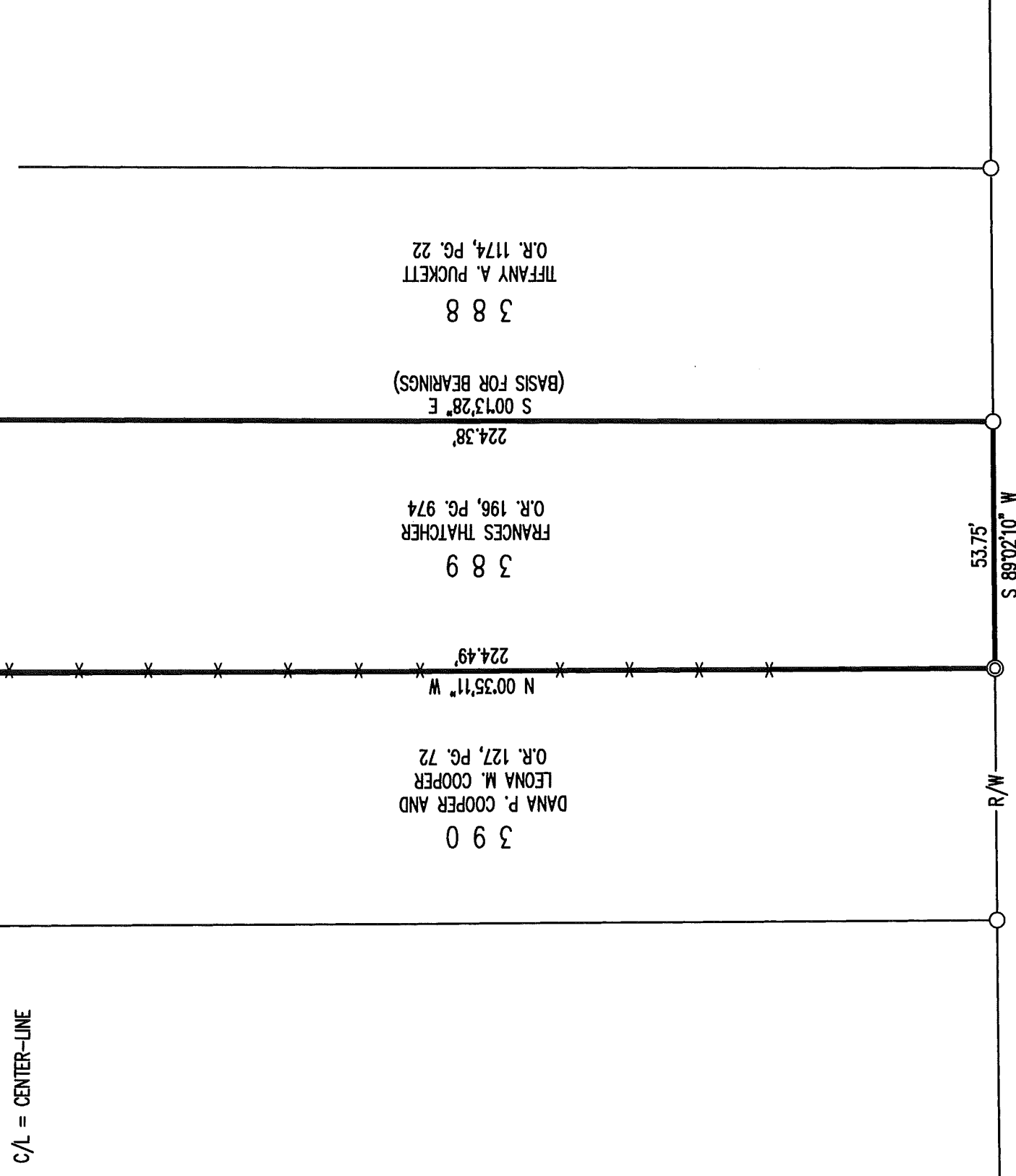
APPROVED
LEGEND: 1-26-18

- ◎ 1/2 INCH IRON PIPE FOUND
- 5/8 INCH IRON ROD FOUND
- 5/8 INCH IRON ROD SET WITH PLASTIC I.D. CAP STAMPED "LEE SURVEYING INC"
- X- DENOTES FENCE

R/W = RIGHT-OF-WAY
C/L = CENTER-LINE



16.5' ALLEY
N 89°09'47" E
55.17'



390
DANA P. COOPER AND
LEONA M. COOPER
O.R. 127, PG. 72
N 00°35'11" W
224.49'

389
FRANCES THATCHER
O.R. 196, PG. 974
S 00°13'28" E
224.38'

388
TIFFANY A. PUCKETT
O.R. 1174, PG. 22
S 00°13'28" E
224.38'

COLUMBUS AVENUE (60')

EVANSVILLE STREET (60')

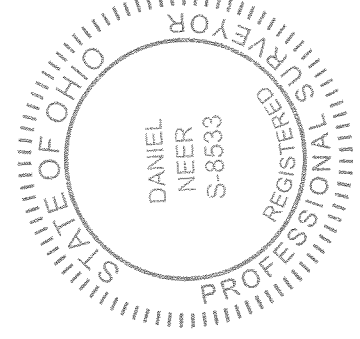
RETRACEMENT SURVEY OF THE
FRANCES THATCHER
LOT 389
AYLWORTH OR WESTERN ADDITION
PLAT CABINET A, SLIDE 3
OFFICIAL RECORD 196, PAGE 974
CITY OF BELLEFONTAINE
LAKE TOWNSHIP
LOGAN COUNTY, OHIO

BASIS FOR BEARINGS:
THE BASIS FOR BEARINGS SHOWN HEREON IS
THE WEST LINE OF LOT 388.

DEED AND SURVEY REFERENCES:
O.R. 127, PG. 72
O.R. 196, PG. 974
O.R. 1174, PG. 22
AYLWORTH OR WESTERN ADDITION
PLAT CABINET A, SLIDE 3

THIS SURVEY WAS PREPARED IN THE ABSENCE OF
A COMPLETE AND ACCURATE TITLE SEARCH AND
DOES NOT GUARANTEE TITLE.

2 WORKING DAYS
BEFORE YOU DIG
CALL TOLL FREE **800-362-2764**
OHIO UTILITIES PROTECT OR SERVE CE.



DANIEL A. NEER
PROFESSIONAL SURVEYOR 8533
JANUARY 5, 2018

COPYRIGHT 2018 BY:
LEE SURVEYING & MAPPING CO.
117 North Madriver Street
BELLEFONTAINE, OHIO 43311
(937) 593-7335
WWW.LSMINC.US
surveys@lsminc.us

KSS D1217 39631217 L-3963-3

INDEXED ON MAP
5938