



Lee Surveying and Mapping Co.



Farm Surveys • Lot Surveys • Topography • Subdivisions • Construction Layout

143 EAST COLUMBUS AVENUE
BELLEFONTAINE, OHIO 43311

(513) 593-7335
(513) 593-5780

CLAYTON M. LEE, P.S.
JEFFREY I. LEE, P.S.

O'RIELLEY TO SANFORD

LYING IN THE CITY OF BELLEFONTAINE, V.M.S. 4990, LAKE TOWNSHIP, LOGAN COUNTY, OHIO.

BEING OUT OF THAT 0.40 ACRE TRACT IN THE NAME OF O'RIELLEY AS DEEDED AND DESCRIBED IN VOLUME 398, PAGE 149 OF THE LOGAN COUNTY RECORDS OF DEEDS AND BEING MORE PARTICULARLY DESCRIBED AS FOLLOWS:

BEGINNING AT A 5/8 INCH IRON ROD FOUND AT THE SOUTHWEST CORNER OF THE SAID 0.40 ACRE TRACT, AND BEING N 88°-30'-00" W, A DISTANCE OF 222.25 FEET ALONG THE NORTH RIGHT-OF-WAY OF CHILLICOTHE AVENUE FROM THE WEST RIGHT-OF-WAY OF STANLEY STREET.

THENCE, WITH THE WEST LINE OF THE SAID 0.40 ACRE TRACT, N 02°-39'-27" W, A DISTANCE OF 110.33 FEET TO A RAILROAD SPIKE SET IN THE ROOT OF A 36 INCH TREE AND THE TRUE POINT OF BEGINNING.

THENCE, CONTINUING WITH THE WEST LINE OF THE SAID 0.40 ACRE TRACT, AND THE EAST LINE OF THE SANFORD 0.38 ACRE TRACT (VOL. 406, PG. 189), N 02°-39'-27" W, A DISTANCE OF 110.33 FEET TO A 5/8 INCH IRON ROD FOUND AT THE NORTHWEST CORNER OF THE 0.40 ACRE TRACT AND THE SOUTH LINE OF A 16.5 FEET WIDE ALLEY.


THENCE, WITH THE SOUTH LINE OF THE SAID ALLEY, S 88°-38'-45" E, A DISTANCE OF 9.00 FEET TO A 5/8 INCH IRON ROD SET.

THENCE, THROUGH THE SAID 0.40 ACRE TRACT, S 02°-01'-17" W, A DISTANCE OF 110.06 FEET TO THE POINT OF BEGINNING.

CONTAINING 0.011 ACRE.

THE BASIS FOR BEARINGS IS BASED UPON THE CENTER-LINE OF CHILLICOTHE AVENUE BEING N 88°-30'-00" W, (NELSON DEED VOL. 44, PG. 341) AND ALL OTHER BEARINGS ARE FROM ANGLES AND DISTANCES OBTAINED FROM A FIELD SURVEY BY LEE SURVEYING AND MAPPING COMPANY ON JULY 27, 1990.

DESCRIPTION PREPARED BY:


JEFFREY I. LEE
PROFESSIONAL SURVEYOR 6359
JULY 29, 1990



ORIGINAL STAMP IN GREEN

INDEXED ON MAP
51081D-1



Lee Surveying and Mapping Co.



Farm Surveys • Lot Surveys • Topography • Subdivisions • Construction Layout

143 EAST COLUMBUS AVENUE
BELLEFONTAINE, OHIO 43311

(513) 593-7335
(513) 593-5780

CLAYTON M. LEE, P.S.
JEFFREY I. LEE, P.S.

SANFORD TO O'RIELLEY

LYING IN THE CITY OF BELLEFONTAINE, V.M.S. 4990, LAKE TOWNSHIP, LOGAN COUNTY, OHIO.

BEING OUT OF THAT 0.38 ACRE TRACT IN THE NAME OF SANFORD AS DEEDED AND DESCRIBED IN VOLUME 406, PAGE 189 OF THE LOGAN COUNTY RECORDS OF DEEDS AND BEING MORE PARTICULARLY DESCRIBED AS FOLLOWS:

BEGINNING AT A 5/8 INCH IRON ROD FOUND AT THE SOUTHEAST CORNER OF THE SAID 0.38 ACRE TRACT, AND BEING N 88°-30'-00" W, A DISTANCE OF 222.25 FEET ALONG THE NORTH RIGHT-OF-WAY OF CHILLICOTHE AVENUE FROM THE WEST RIGHT-OF-WAY OF STANLEY STREET.

THENCE, CONTINUING WITH THE NORTH RIGHT-OF-WAY OF CHILLICOTHE AVENUE AND THE SOUTH LINE OF THE SAID 0.38 ACRE TRACT, N 88°-30'-00" W, A DISTANCE OF 9.00 FEET TO A 5/8 INCH IRON ROD SET.

THENCE, THROUGH THE SAID 0.38 ACRE TRACT, N 02°-01'-17" E, A DISTANCE OF 110.04 FEET TO A RAILROAD SPIKE SET IN THE ROOT OF A 36 INCH TREE ON THE WEST LINE OF THE O'RIELLEY 0.40 ACRE TRACT (VOL. 398, PG. 149).

THENCE, WITH THE WEST LINE OF THE SAID 0.40 ACRE TRACT, S 02°-39'-27" E, A DISTANCE OF 110.33 FEET TO THE POINT OF BEGINNING.

CONTAINING 0.011 ACRE.

THE BASIS FOR BEARINGS IS BASED UPON THE CENTER-LINE OF CHILLICOTHE AVENUE BEING N 88°-30'-00" W, (NELSON DEED VOL. 44, PG. 341) AND ALL OTHER BEARINGS ARE FROM ANGLES AND DISTANCES OBTAINED FROM A FIELD SURVEY BY LEE SURVEYING AND MAPPING COMPANY ON JULY 27, 1990.

DESCRIPTION PREPARED BY:


JEFFREY I. LEE
PROFESSIONAL SURVEYOR 6359
JULY 29, 1990



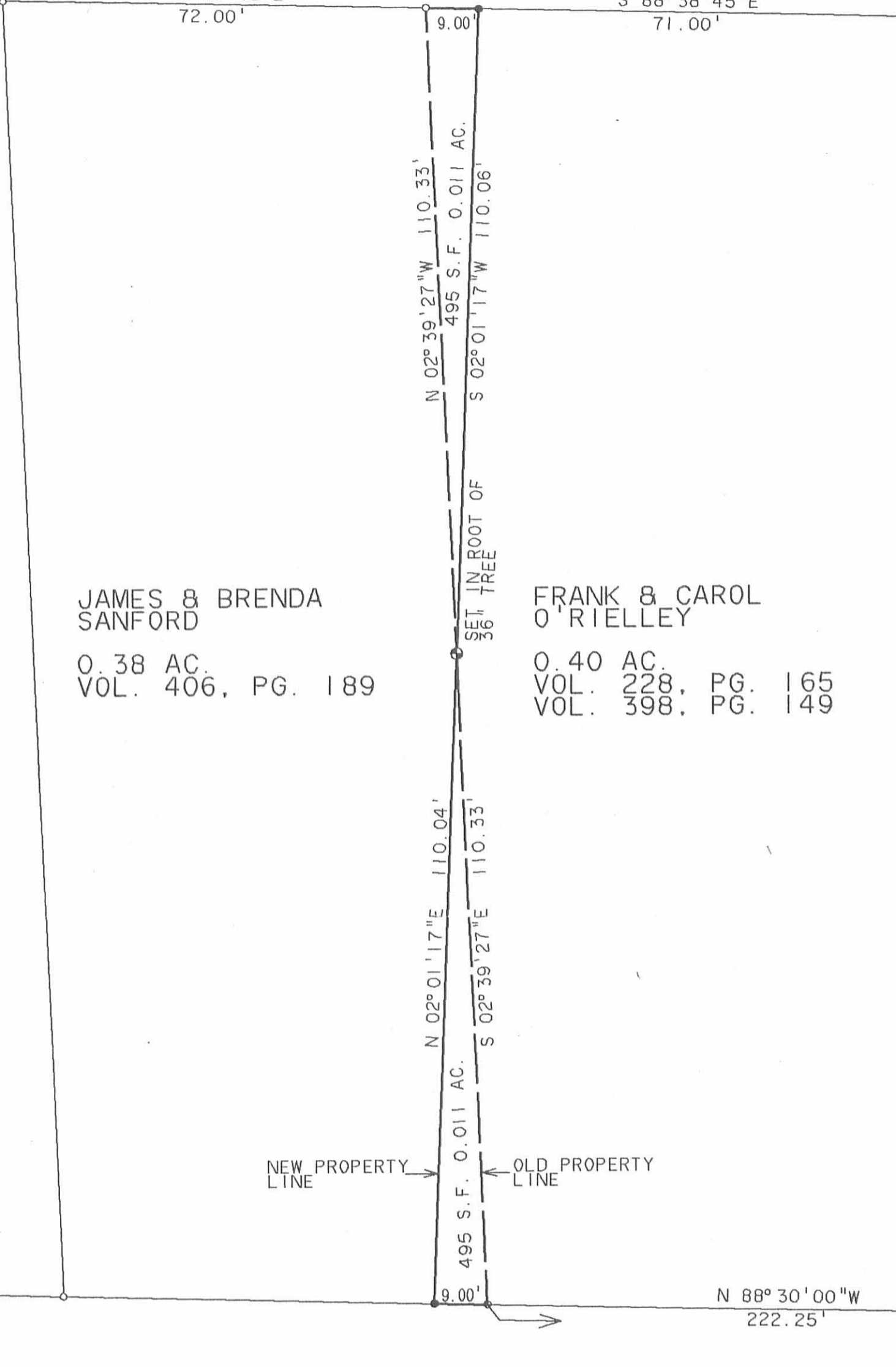
ORIGINAL STAMP IN GREEN

INDEXED ON MAP
51081D-2

16.5' ALLEY

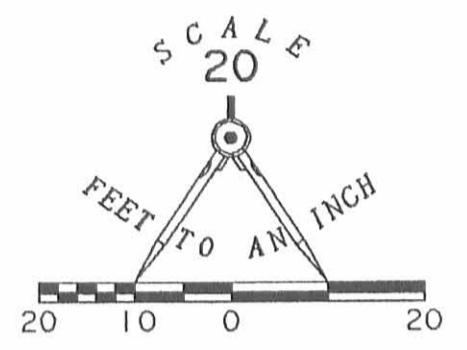
S 88° 38' 45" E
72.00'

S 88° 38' 45" E
71.00'



JAMES & BRENDA
SANFORD
0.38 AC.
VOL. 406, PG. 189

FRANK & CAROL
O'RIELLY
0.40 AC.
VOL. 228, PG. 165
VOL. 398, PG. 149



- LEGEND
- 5/8" I. ROD FOUND
 - 5/8" I. ROD SET
 - ⊕ RR SPIKE SET

NEW PROPERTY LINE ← → OLD PROPERTY LINE

STANLEY ST. (40')

CHILLICOTHE AVE. (60')

SURVEY OF TWO TRACTS FOR
FRANK & CAROL O'RIELLY AND
JAMES & BRENDA SANFORD
V.M.S. 4990
CITY OF BELLEFONTAINE
LAKE TOWNSHIP
LOGAN COUNTY, OHIO

SURVEYED BY:
Jeffrey I. Lee
JEFFREY I. LEE
PROFESSIONAL SURVEYOR 6359
JULY 27, 1990



STAMP IN GREEN

INDEXED ON MAP
5/08 JP

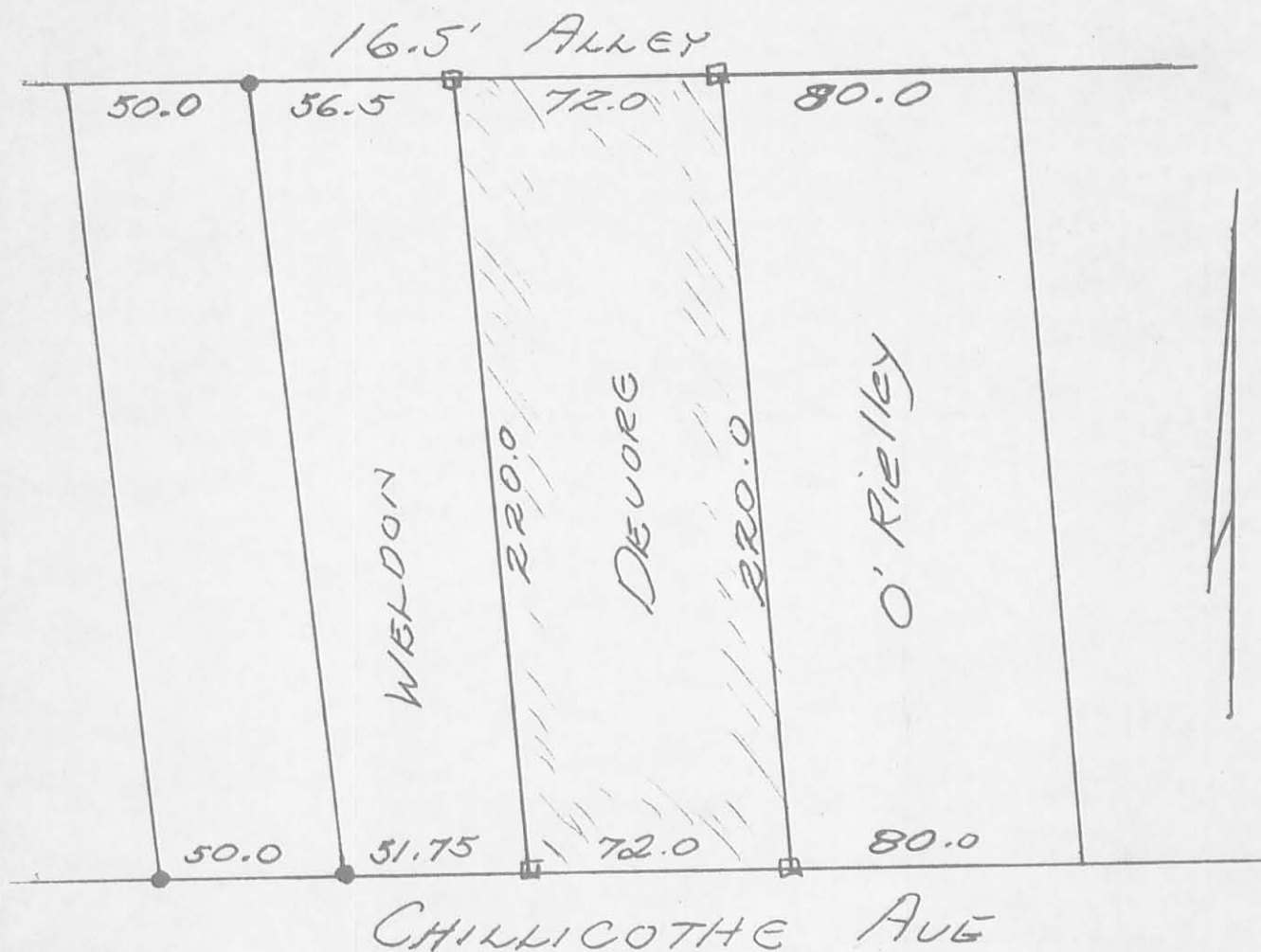
LEE SURVEYING & MAPPING CO.
143 East Columbus Avenue
BELLEFONTAINE, OHIO 43311
(513) 593-7335

ROBERT DEVORE SURVEY

429 E. CHILLICOTHE

• DENOTES IRON FOUND = □ DENOTES IRON PLACED

1" = 50'



NOTE: Deed distances check on Chillicothe.

Owen K. Shirk
Surveyor 4271
8-25-72

(5108) 2P

INDEXED ON MAP

REC'D 9-16-09 SWY one

Lee Surveying and Mapping Co., Inc.

Land Surveys • Topography • Subdivisions • Construction Layout

117 N. Madriver St.
Bellefontaine OH 43311



Phone: (937) 593-7335
Fax: (937) 593-7444
surveys@lsminc.us

TEWKSBURY 0.362 ACRE

Lying in Virginia Military Survey 4990, City of Bellefontaine, Lake Township, Logan County, Ohio.

Being all of the Paul W. Tewksbury and Teresa J. Tewksbury 0.369 acre tract and 0.011 acre tract as deeded and described in Official Record 239, Page 674, Tract I and Tract II of the Logan County Records of Deeds and being more particularly described as follows:

Commencing on a 5/8 inch iron rod found on the intersection of the west right-of-way of Stanley Street and the north right-of-way of Chillicothe Avenue.

THENCE, with the north right-of-way of Chillicothe Avenue (60 feet wide), N 85°-21'-03"W, a distance of 230.99 feet to a 5/8 inch iron rod found at the TRUE POINT OF BEGINNING.

THENCE, with the north right-of-way of Chillicothe Avenue, N 85°-21'-03"W, a distance of 62.74 feet to a point.

THENCE, with the east line of the Donald L. Buchenroth original 0.395 acre tract (Vol. 388, Pg. 584), N 00°-28'-56"E, a distance of 220.43 feet to a 3/4 inch iron rod found, passing a 5/8 inch iron rod found at 0.28 feet.

THENCE, with the south line of a 16.5 feet wide alley, S 85°-34'-32"E, a distance of 80.77 feet to a 5/8 inch iron rod found, passing a 5/8 inch iron rod found at 71.77 feet.

THENCE, with the west lines of the Frank O'Rielley 0.389 acre tract (O.R. 943, Pg. 314) and the 0.011 acre tract (O.R. 112, Pg. 295), S 05°-10'-20"W, a distance of 220.17 feet to the point of beginning.

Containing 0.362 acre.

The basis for bearings is the north line of Chillicothe Avenue, being N 85°-21'-03"W, and all other bearings are from angles and distances measured in a field survey by Lee Surveying and Mapping Co., Inc. on September 11, 2009.

Description prepared by:

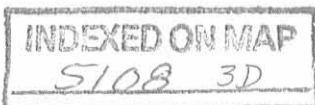


William K. Bruce

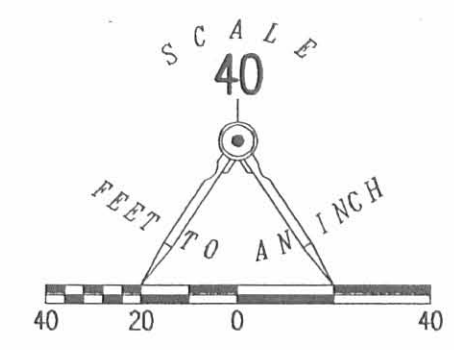
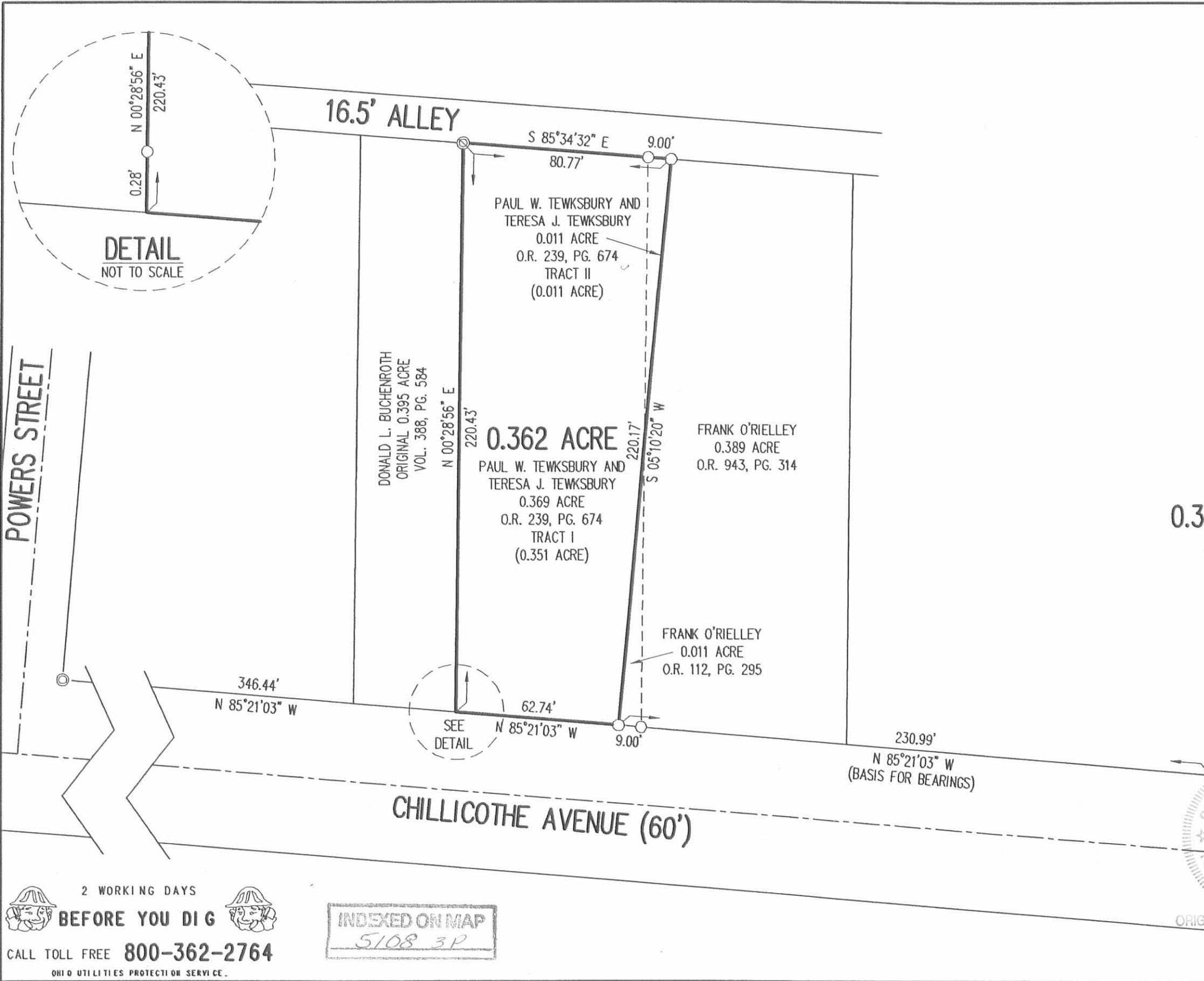
William K. Bruce
Professional Surveyor 7437
September 14, 2009

ORIGINAL STAMP IN GREEN

1836099



REC'D 9-16-09 SUM OK



SURVEY OF THE
 PAUL W. TEWKSBURY AND
 TERESA J. TEWKSBURY
 0.369 ACRE TRACT AND 0.011 ACRE TRACT
 OFFICIAL RECORD 239, PAGE 674
 TRACT I AND TRACT II
 VIRGINIA MILITARY SURVEY 4990
 CITY OF BELLEFONTAINE
 LAKE TOWNSHIP
 LOGAN COUNTY, OHIO

SURVEYED BY:
William K. Bruce
 WILLIAM K. BRUCE
 PROFESSIONAL SURVEYOR 7437
 SEPTEMBER 11, 2009



2 WORKING DAYS
BEFORE YOU DIG
 CALL TOLL FREE **800-362-2764**
 OHIO UTILITIES PROTECTION SERVICE

INDEXED ON MAP
 5108 3P

COPYRIGHT 2009 BY:
LEE SURVEYING & MAPPING CO., INC.
 117 North Madriver Street
 BELLEFONTAINE, OHIO 43311
 (937) 593-7335
 surveys@lsminc.us
 KSS D0909 1836099 L-1836-3