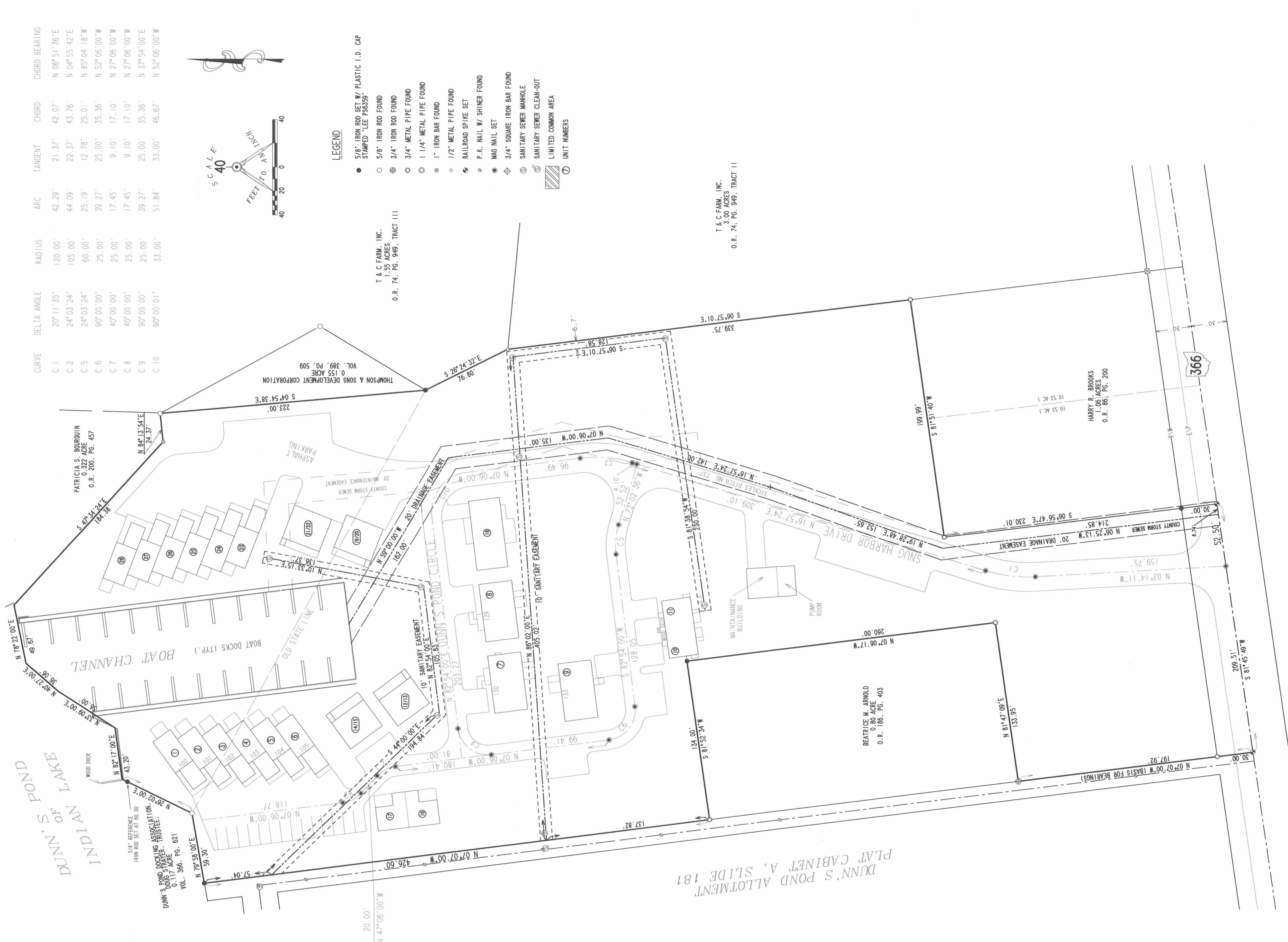
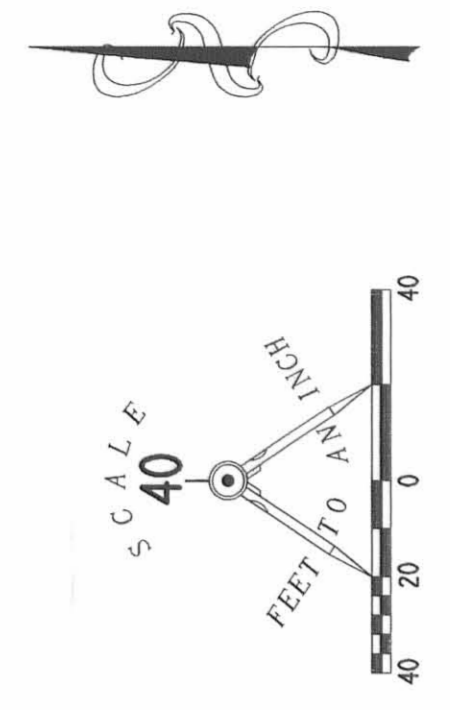


Plat Cab B Slide 68A  
 J-299 B

2  
 3



CURVE	DELTA ANGLE	RADIUS	ARC	TANGENT	CHORD	CHORD BEARING
C 1	20°11'35"	120.00'	42.29'	21.37'	42.07'	N 06°51'36"E
C 2	24°03'24"	105.00'	44.09'	22.37'	43.76'	N 04°55'42"E
C 5	24°03'24"	60.00'	25.19'	12.78'	25.01'	N 85°04'18"W
C 6	90°00'00"	25.00'	39.27'	25.00'	35.36'	N 52°06'00"W
C 7	40°00'00"	25.00'	17.45'	9.10'	17.10'	N 27°06'00"W
C 8	40°00'00"	25.00'	17.45'	9.10'	17.10'	N 27°06'00"W
C 9	90°00'00"	25.00'	39.27'	25.00'	35.36'	N 37°54'00"E
C 10	90°00'01"	33.00'	51.84'	33.00'	46.67'	N 52°06'00"W



**LEGEND**

- 5/8" IRON ROD SET W/ PLASTIC I.D. CAP STAMPED "LEE P66559"
- 5/8" IRON ROD FOUND
- ⊕ 3/4" IRON ROD FOUND
- 3/4" METAL PIPE FOUND
- 1 1/4" METAL PIPE FOUND
- ⊗ 1" IRON BAR FOUND
- 1/2" METAL PIPE FOUND
- ⚡ RAILROAD SPIKE SET
- ⊙ P.K. NAIL W/ SHINER FOUND
- ⊙ MAG NAIL SET
- ⊕ 3/4" SQUARE IRON BAR FOUND
- ⊕ SANITARY SEWER MANHOLE
- ⊕ SANITARY SEWER CLEAN-OUT
- ▨ LIMITED COMMON AREA
- ① UNIT NUMBERS

T & C FARM, INC.  
 1.55 ACRES  
 O.R. 74, PG. 949, TRACT III

T & C FARM, INC.  
 3.06 ACRES  
 O.R. 74, PG. 949, TRACT II

HARRY R. BROOKS  
 1.06 ACRES  
 O.R. 86, PG. 200

BEATRICE M. ARNOLD  
 0.18 ACRES  
 O.R. 186, PG. 403

EASEMENTS DRAWING  
**SNUG HARBOR CONDOMINIUM**  
**AT DUNN'S POND**  
**AMENDMENT NUMBER 2**

6.830 ACRES  
 VIRGINIA MILITARY SURVEY 9925-9946-10121  
 PLAT CABINET B, SLIDES 49B-50B  
 WASHINGTON TOWNSHIP  
 LOGAN COUNTY, OHIO

ALL OF THE  
 DUNN'S POND ASSOCIATES, LTD.  
 ORIGINAL 6.830 ACRES  
 OFFICIAL RECORD 272, PAGE 238

DUNN'S POND ALLOTMENT 181  
 PLAT CABINET A, SLIDE 181

J-299 B