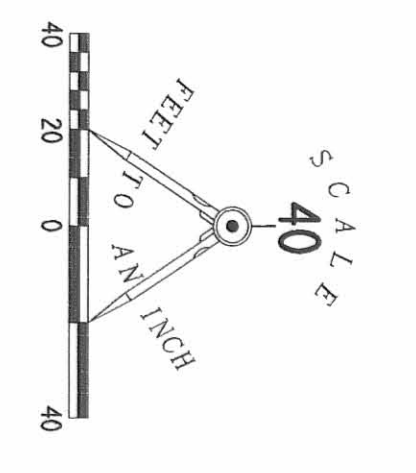


CURVE	DELTA ANGLE	RADIUS	ARC	TANGENT	CHORD	CHORD BEARING
C 1	20° 11' 35"	120.00'	42.29'	21.37'	42.07'	N 06° 51' 36" E
C 2	24° 03' 24"	105.00'	44.09'	22.37'	43.76'	N 04° 55' 42" E
C 5	24° 03' 24"	60.00'	25.19'	12.78'	25.01'	N 85° 04' 18" W
C 6	90° 00' 00"	25.00'	39.27'	25.00'	33.36'	N 52° 06' 00" W
C 7	40° 00' 00"	25.00'	17.45'	9.10'	17.10'	N 27° 06' 00" W
C 8	40° 00' 00"	25.00'	17.45'	9.10'	17.10'	N 27° 06' 00" W
C 9	90° 00' 00"	25.00'	39.27'	25.00'	33.36'	N 37° 54' 00" E
C 10	90° 00' 01"	33.00'	51.84'	33.00'	46.67'	N 52° 06' 00" W

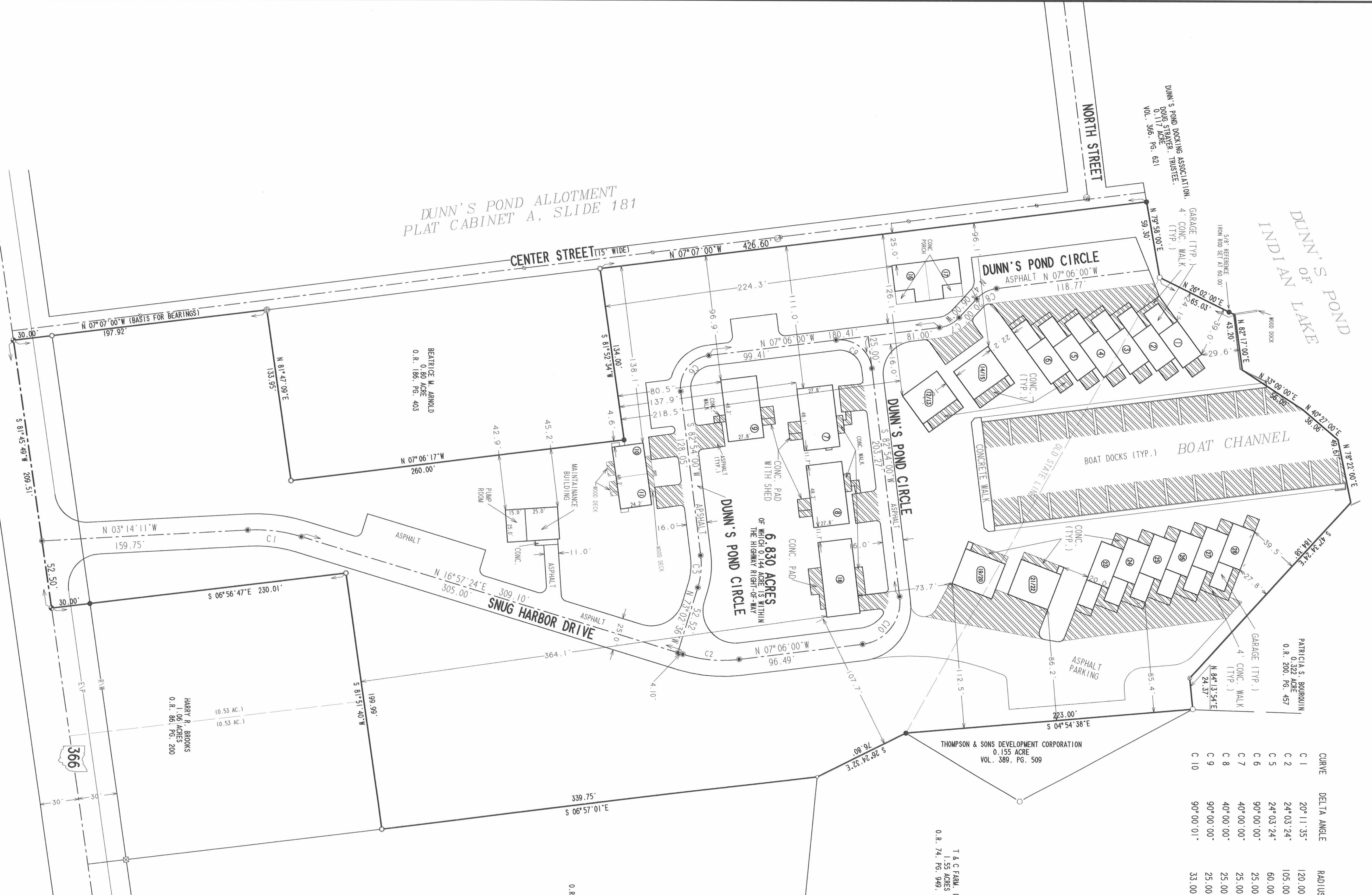


LEGEND

- 5/8" IRON ROD SET W/ PLASTIC I.D. CAP
- STAMPED "LEE P68599"
- 5/8" IRON ROD FOUND
- ⊕ 3/4" IRON ROD FOUND
- 3/4" METAL PIPE FOUND
- 1 1/4" METAL PIPE FOUND
- 1" IRON BAR FOUND
- 1/2" METAL PIPE FOUND
- ⚡ RAILROAD SPIKE SET
- ⚡ P.K. NAIL W/ SHINER FOUND
- ⚡ MAG NAIL SET
- ⊕ 3/4" SQUARE IRON BAR FOUND
- ⊕ SANITARY SEWER MANHOLE
- ⊕ SANITARY SEWER CLEAN-OUT
- ⊕ STORM SEWER CATCH BASIN
- ▨ LIMITED COMMON AREA
- ⑦ UNIT NUMBERS

T & C FARM, INC.
1.55 ACRES
O.R. 74, PG. 949, TRACT 111

T & C FARM, INC.
3.30 ACRES
O.R. 74, PG. 949, TRACT 11



**SNUG HARBOR CONDOMINIUM
AT DUNN'S POND
AMENDMENT NUMBER 2**

6.830 ACRES
VIRGINIA MILITARY SURVEY 9925-9946-10121
PLAT CABINET B, SLIDES 498 - 508
WASHINGTON TOWNSHIP
LOGAN COUNTY, OHIO

ALL OF THE
DUNN'S POND ASSOCIATES, LTD.
ORIGINAL 6.830 ACRES
OFFICIAL RECORD 272, PAGE 238

WE DO HEREBY STATE THAT THIS DRAWING OF SNUG HARBOR CONDOMINIUMS
SHOWS ALL BUILDINGS AS CONSTRUCTED.

Michael W. Bow
MICHAEL W. BOW
PROFESSIONAL ENGINEER 38880
AUGUST 16, 2001

Jeffrey L. Lee
JEFFREY L. LEE
PROFESSIONAL SURVEYOR 6339
AUGUST 16, 2001

THE M. B. K. ENGINEERING CO., INC.
LEE SURVEYING & MAPPING CO., INC.

APPROVED BY THE L.U.C. PLANNING COMMISSION
THIS 17 DAY OF SEPTEMBER, 2001.

Stephanie A. Adams
DIRECTOR, PLANNING COMMISSION
PRE-APPROVAL *Don C. Davis* 9-17-01
PLAT CHECKED *Don C. Davis* 9-19-01
TRANSFERRED THIS 19th DAY OF September, 2001.

AUDITOR: *Michael E. Adams*
LOGAN COUNTY, OHIO

RECORDED IN PLAT CABINET B, SLIDE 67B-68B
RECEIVED FOR RECORD AT 11:37 0 CLOCK P.M.
THIS 19th DAY OF September, 2001.

RECORDER: *Stephanie A. Adams*
LOGAN COUNTY, OHIO

