

5299A

5299A

3 WORKING DAYS  
BEFORE YOU DIG  
800-362-2764



MICHAEL W. BOW  
PROFESSIONAL ENGINEER 38880  
NOVEMBER 19, 1999  
THE M & K ENGINEERING CO.  
RUSSELLS POINT, OHIO 43348  
(937) 942-2698

JEFFREY I. LEE  
PROFESSIONAL SURVEYOR 6359  
NOVEMBER 19, 1999  
LEE SURVEYING & MAPPING CO., INC.  
BELLEFONTAINE, OHIO 43311  
(937) 593-7335



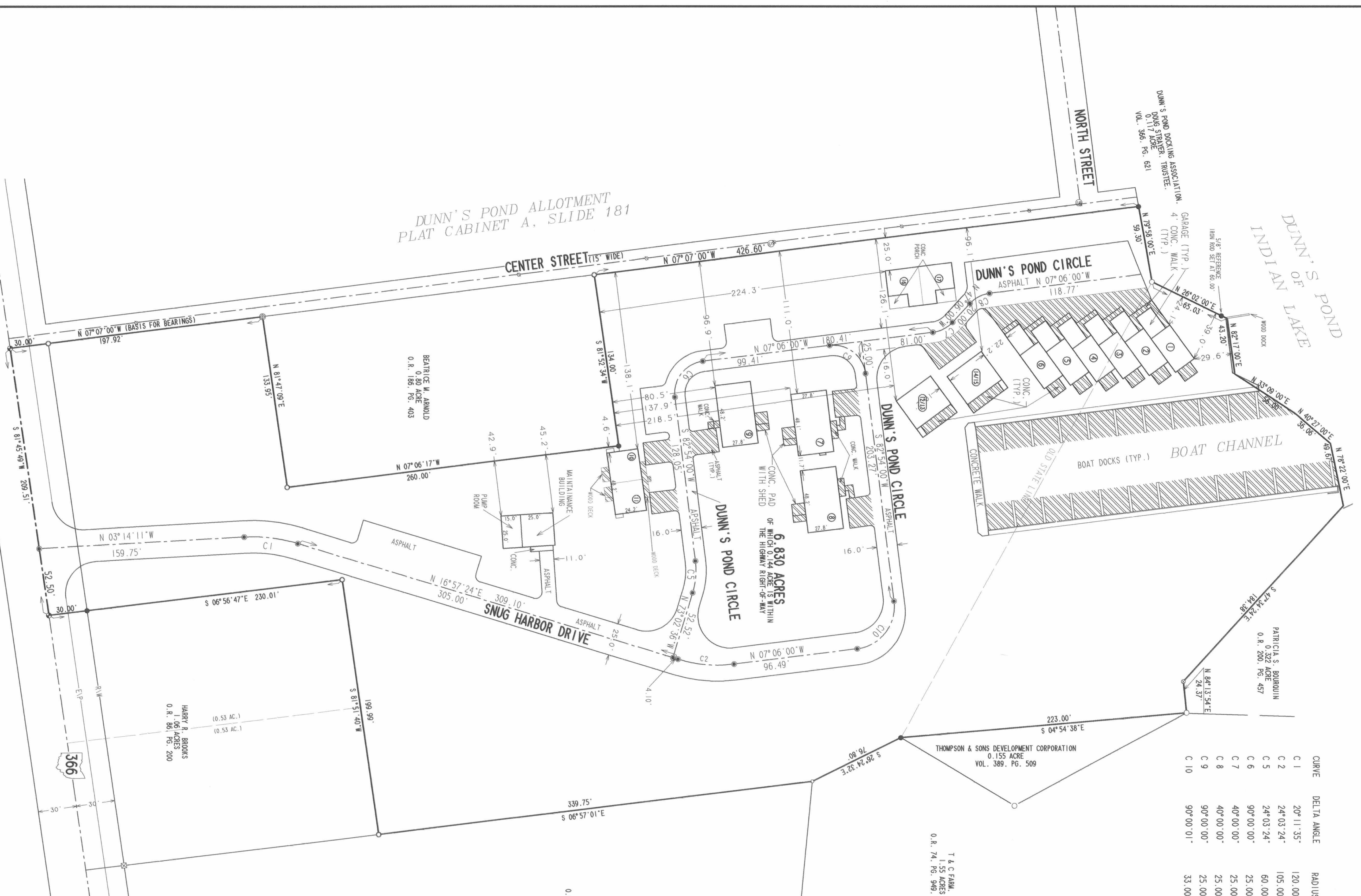
# SNUG HARBOR CONDOMINIUM AT DUNN'S POND AMENDMENT NUMBER 1

6.830 ACRES  
VIRGINIA MILITARY SURVEY 9925-9946-10121  
PLAT CABINET B, SLIDES 42A & B AND 43A  
WASHINGTON TOWNSHIP  
LOGAN COUNTY, OHIO

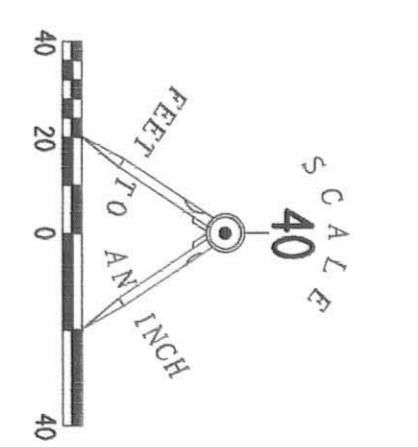
ALL OF THE  
DUNN'S POND ASSOCIATES, LTD.  
ORIGINAL 6.830 ACRES  
OFFICIAL RECORD 272, PAGE 238

WE DO HEREBY STATE THAT THIS DRAWING OF SNUG HARBOR CONDOMINIUMS  
SHOWS ALL BUILDINGS AS CONSTRUCTED.

DUNN'S POND ALLOTMENT  
PLAT CABINET A, SLIDE 181



CURVE	DELTA ANGLE	RADIUS	ARC	TANGENT	CHORD	CHORD BEARING
C 1	20° 11' 35"	120.00'	42.29'	21.37'	42.07'	N 06° 51' 36" E
C 2	24° 03' 24"	105.00'	44.09'	22.37'	43.76'	N 04° 55' 42" E
C 5	24° 03' 24"	60.00'	25.19'	12.78'	25.01'	N 55° 04' 18" W
C 6	90° 00' 00"	25.00'	39.27'	25.00'	35.36'	N 52° 06' 00" W
C 7	40° 00' 00"	25.00'	17.45'	9.10'	17.10'	N 27° 06' 00" W
C 8	40° 00' 00"	25.00'	17.45'	9.10'	17.10'	N 27° 06' 00" W
C 9	90° 00' 00"	25.00'	39.27'	25.00'	35.36'	N 52° 06' 00" E
C 10	90° 00' 01"	33.00'	51.84'	33.00'	46.67'	N 52° 06' 00" W



### LEGEND

- 5/8" IRON ROD SET W/ PLASTIC I.D. CAP
- STAMPED LEE 58539
- 5/8" IRON ROD FOUND
- 3/4" IRON ROD FOUND
- 3/4" METAL PIPE FOUND
- 1 1/4" METAL PIPE FOUND
- 1" IRON BAR FOUND
- 1/2" METAL PIPE FOUND
- BALLROAD SPIKE SET
- P.K. WALL W/ SHINER FOUND
- MAG WALL SET
- 3/4" SQUARE IRON BAR FOUND
- SANITARY SEWER MANHOLE
- SANITARY SEWER CLEAN-OUT
- STORM SEWER CATCH BASIN
- ▨ LIMITED COMMON AREA
- ⑦ UNIT NUMBERS

THOMPSON & SONS DEVELOPMENT CORPORATION  
0.155 ACRE  
VOL. 389, PG. 509

T & C FARM, INC.  
1.55 ACRES  
O.R. 74, PG. 949, TRACT 111

T & C FARM, INC.  
3.00 ACRES  
O.R. 74, PG. 949, TRACT 11

HARRY R. BROOKS  
1.08 ACRES  
O.R. 88, PG. 200

BEATRICE M. ARNOLD  
0.80 ACRE  
O.R. 186, PG. 403

PATRICIA S. BORDOWIN  
0.22 ACRE  
O.R. 200, PG. 457

DUNN'S POND DOCKING ASSOCIATION  
DUNN'S POND DOCKING TRUSTEE  
0.11 ACRE  
VOL. 368, PG. 621

APPROVED BY THE L.U.C. PLANNING COMMISSION  
THIS 28 DAY OF February 1999

DIRECTOR, PLANNING COMMISSION  
*Gregg A. Ottum*  
PRE-APPROVAL *Jan C. Hines* 3-21-00

PLAT CHECKED *Jan C. Hines* 3-21-00  
TRANSFERRED THIS 28th DAY OF March 1999

AUDITOR, LOGAN COUNTY, OHIO  
*Michael E. Hines*  
RECORDED IN PLAT CABINET B, SLIDE 49B, 50A & 50B  
RECEIVED FOR RECORD AT 9:28 0' CLOCK A.M.

THIS 22nd DAY OF March 1999  
RECORDED, LOGAN COUNTY, OHIO  
*Carolyn J. Collins*  
20022373

Plat Cab B Slide 49B

